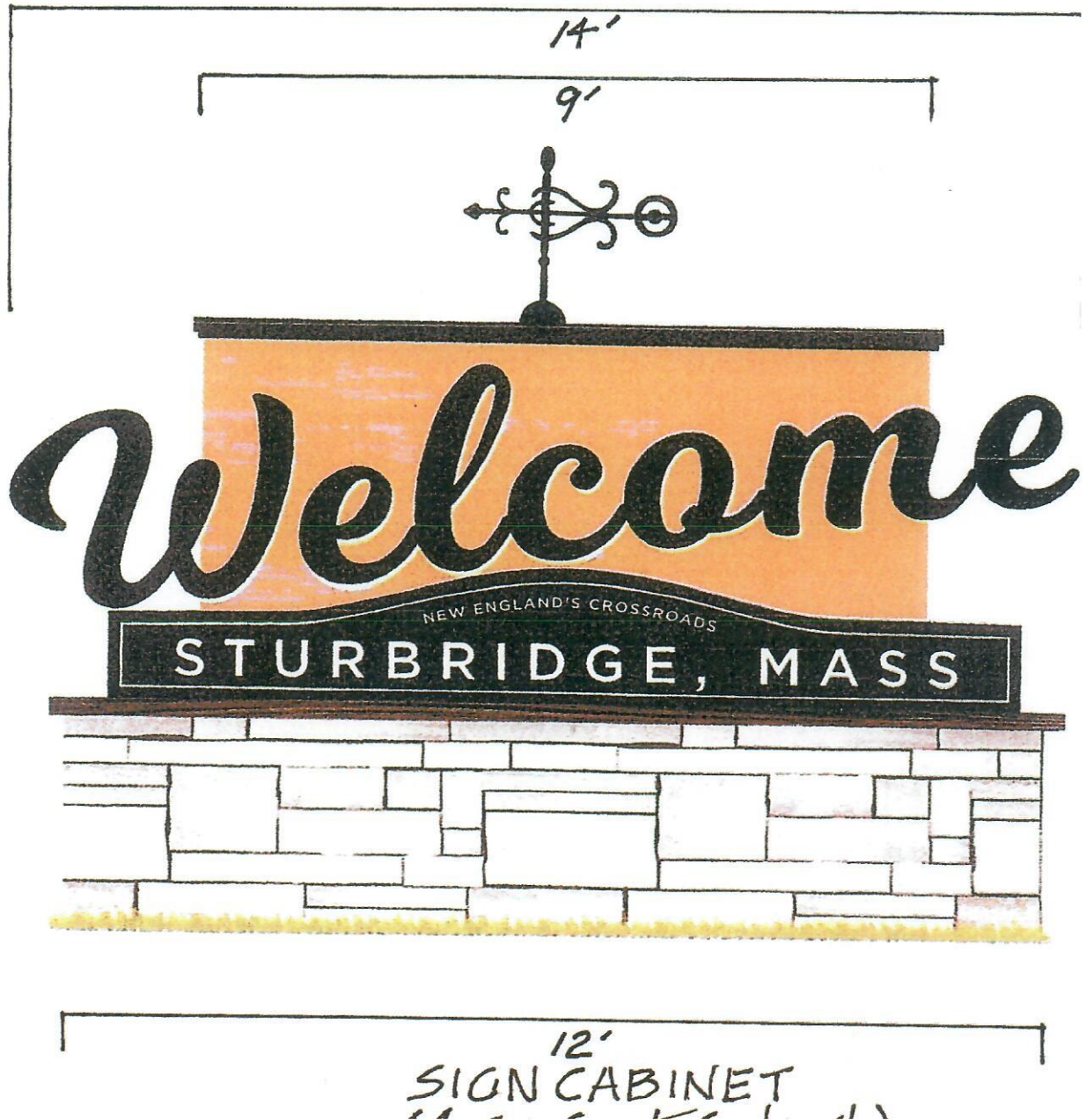


SEPTEMBER 15, 2023

Project: Town of Sturbridge Welcome



Town of Sturbridge Welcome

Weather vane

Black

cap

Black

Cabinet A

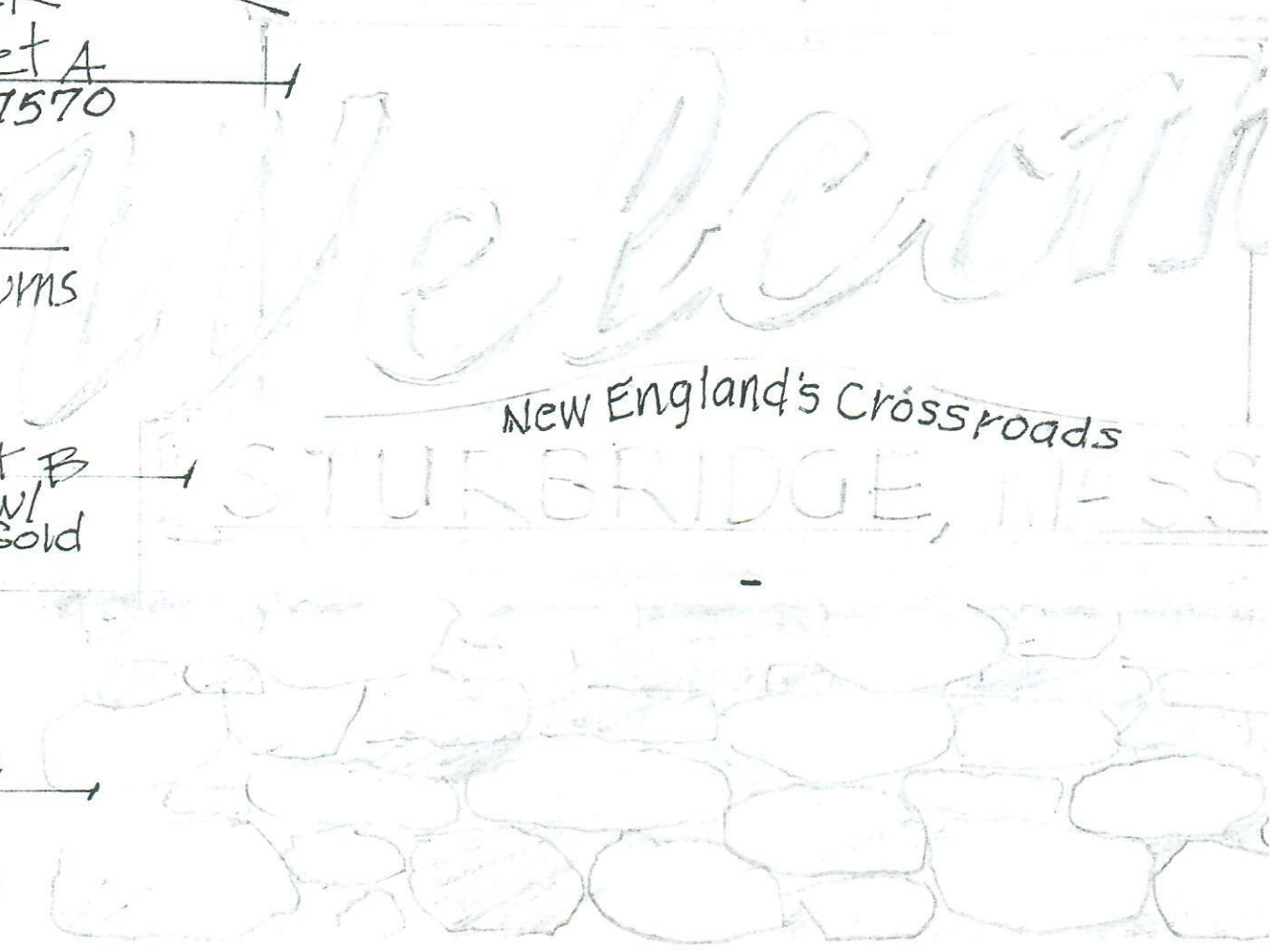
PMS 7570



Black w/
White Returns

Cabinet B
Black w/
White & Gold
Border

Base
Warm
Stones

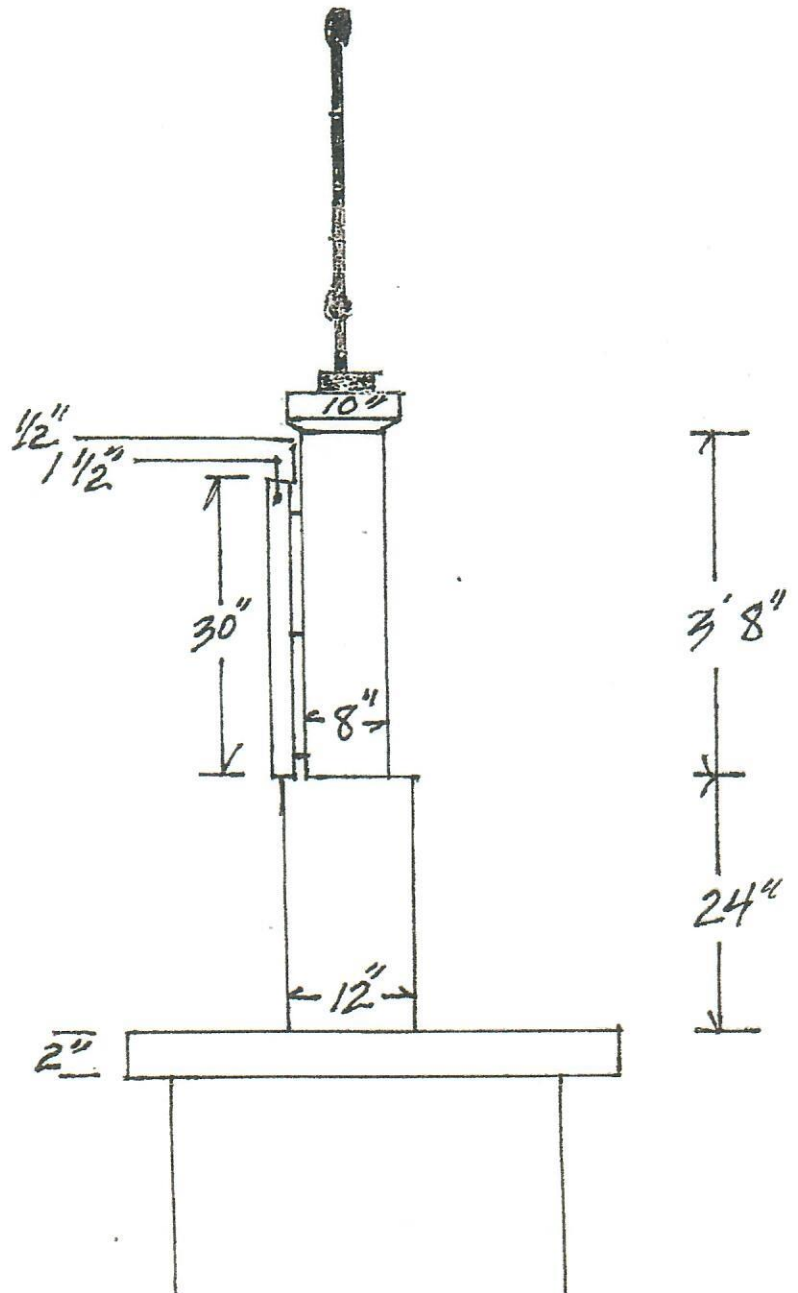


Base : 3' Height x 12' length

Cabinet B 16" Left/Right to 24" height of Rac
2' x 11" height from 11" left/Right of

SEPTEMBER 15, 2023

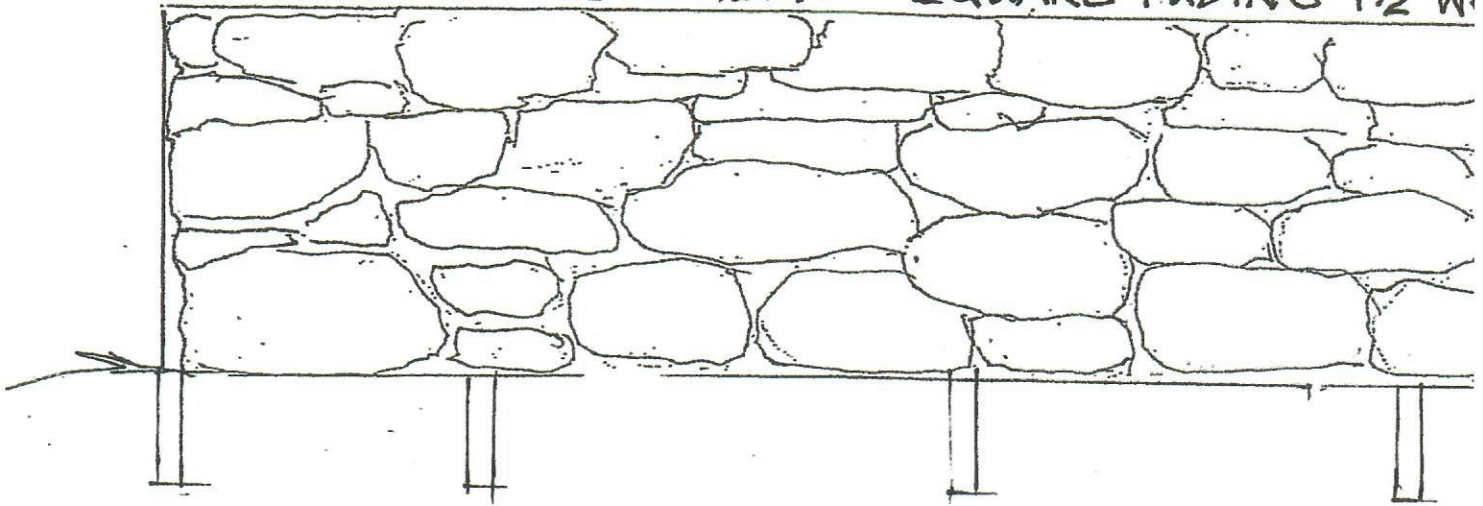
Project: Town of Sturbridge Welcome



SEPTEMBER 15, 2023

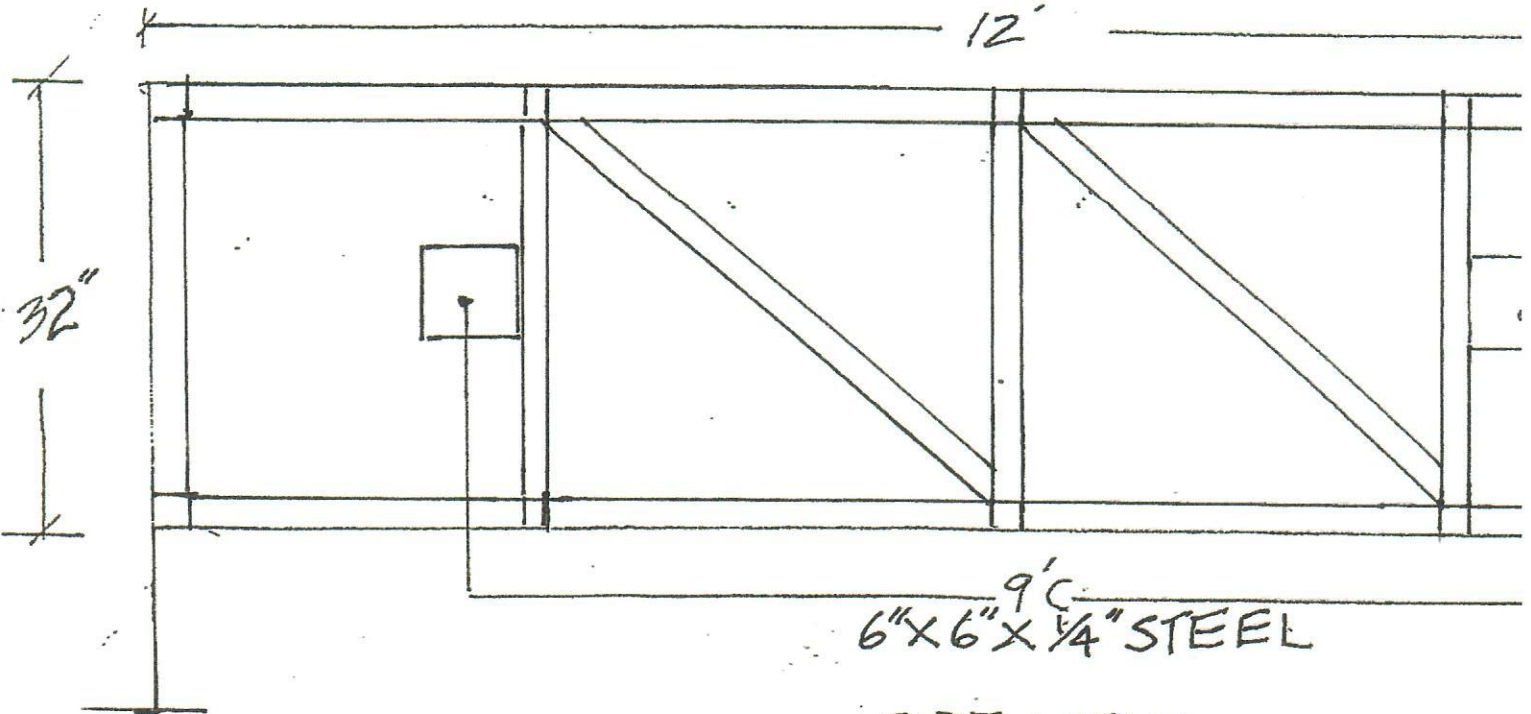
Project: Town of Sturbridge Welcome

ALUMINUM BASE / FAUX STONE PAINTED
1/8" SHEETS SQUARE TUBING 1 1/2" W



TOP VIEW

12'



9'
6" X 6" X 1/4" STEEL

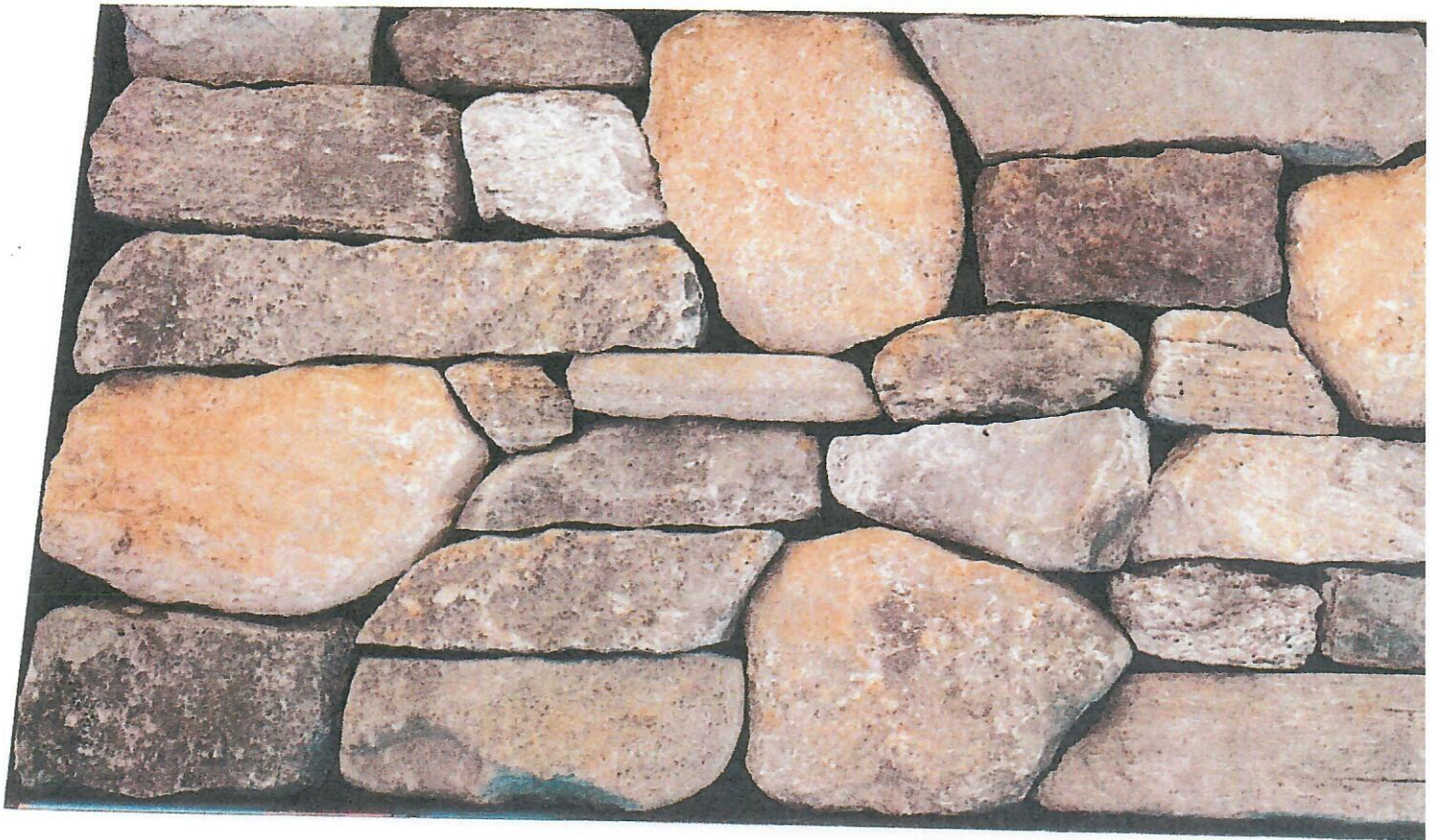
SIDE VIEW

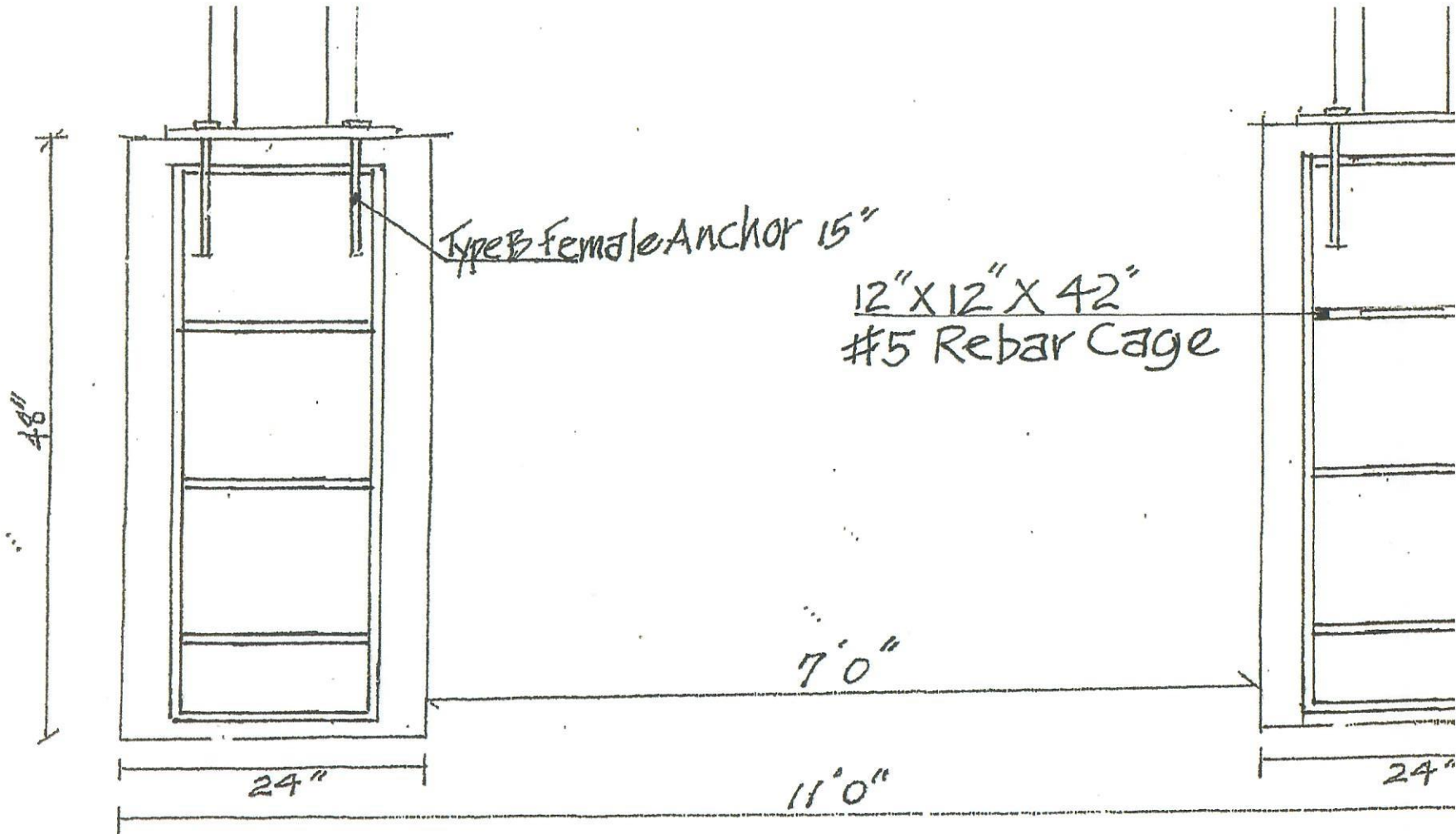
32"



SEPTEMBER 15, 2023

Project: Town of Sturbridge Welcome





SEPTEMBER 15, 2023

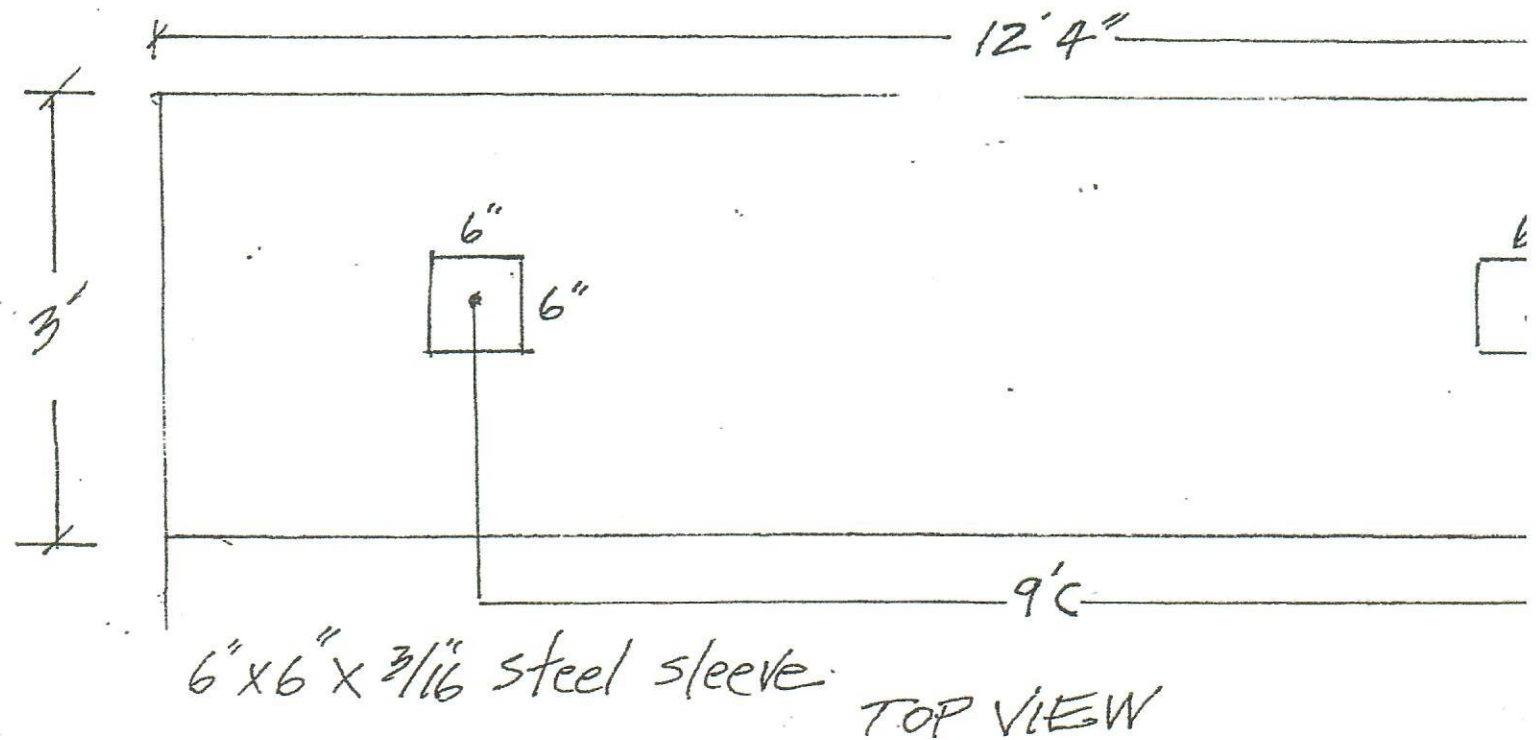
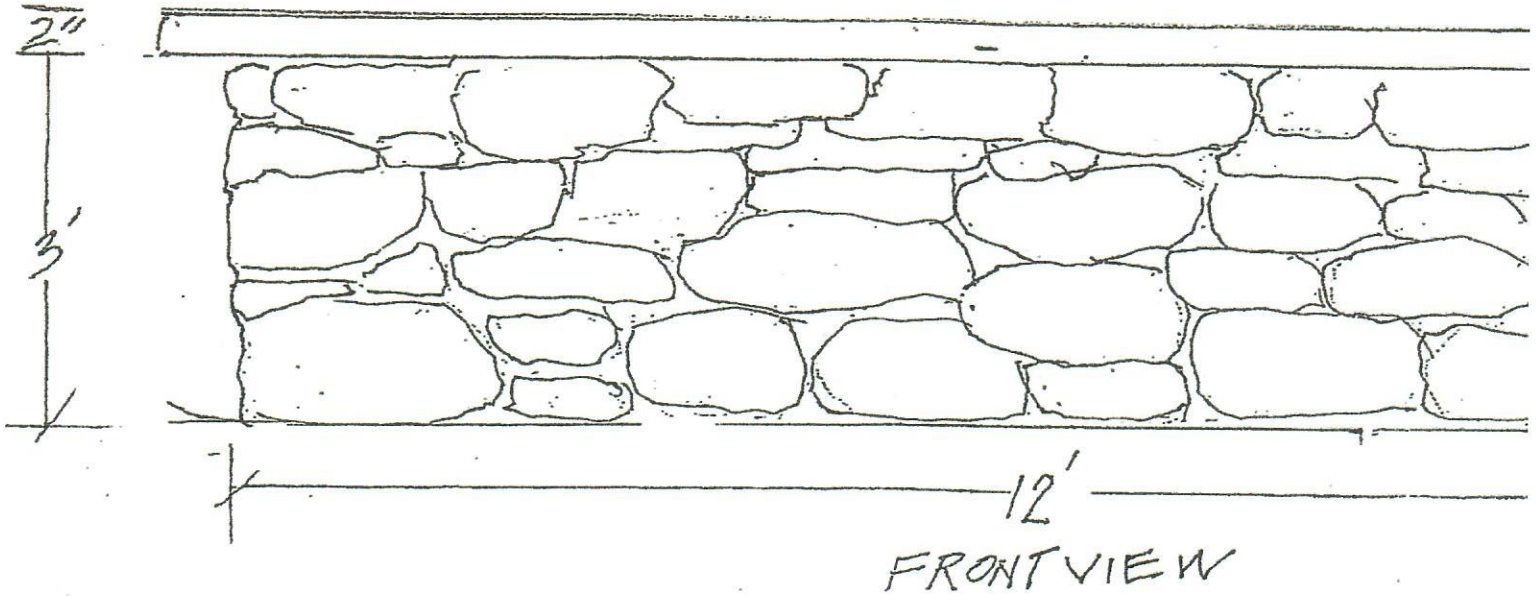
Project: Town of Sturbridge Welcome

BRIMF
SIGN & CO



Town of Starbridge WELCOME
Landscaped

MASONRY STONE BASE



6" x 6" x 3/16" steel sleeve

TOP VIEW

