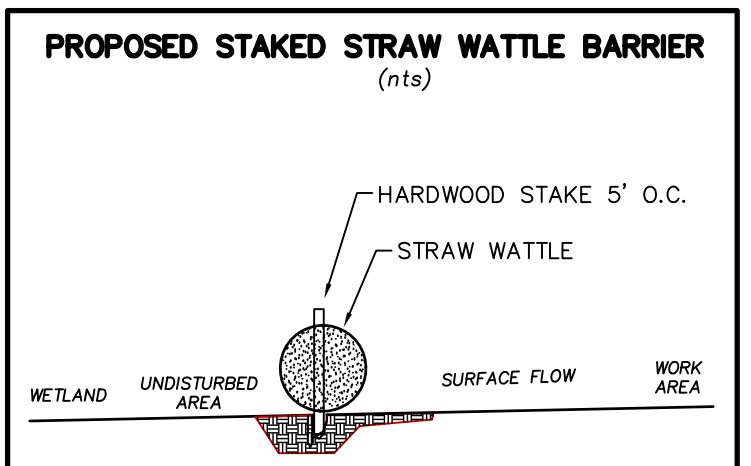


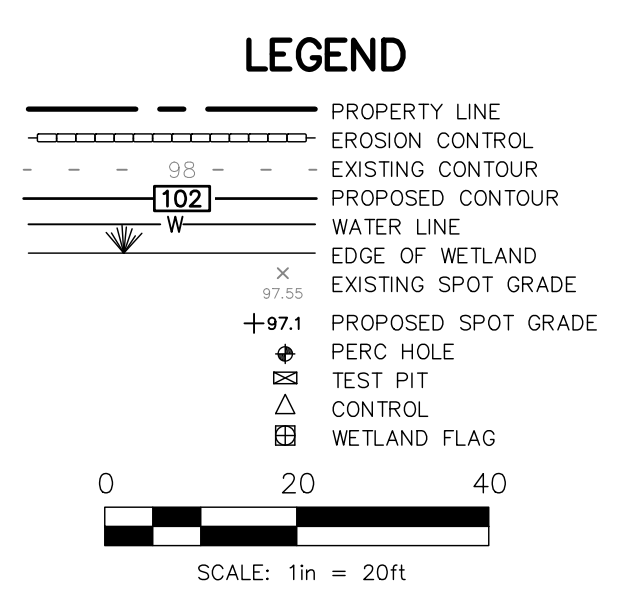
THE WELL AND HOLDING TANK REQUIRES THE FOLLOWING LOCAL UPGRADE APPROVALS TO TITLE 5 AND/OR LOCAL REGULATIONS:

- VARIANCE TO 310 CMR 15.029 (1) THE PROPOSED WELL DOES NOT MEET THE REQUIRED SETBACK FROM A LEACH FIELD. 100 FEET REQUIRED, 90 FEET PROVIDED. (n/f ARENA)
- VARIANCE TO 310 CMR 15.029 (1) THE PROPOSED WELL DOES NOT MEET THE REQUIRED SETBACK FROM A HOLDING TANK. 50 FEET REQUIRED, 36 FEET PROVIDED.
- VARIANCE TO VARIANCE TO STURBRIDGE B&H WELL REGULATIONS. THE PROPOSED WELL DOES NOT MEET THE REQUIRED SETBACK FROM A PROPERTY LINE. 15 FEET REQUIRED, 6 FEET PROVIDED.
- VARIANCE TO VARIANCE TO STURBRIDGE B&H WELL REGULATIONS. THE PROPOSED WELL DOES NOT MEET THE REQUIRED SETBACK FROM A TRAVELLED WAY. 25 FEET REQUIRED, 15 FEET PROVIDED.



WETLAND PROTECTION MEASURES:

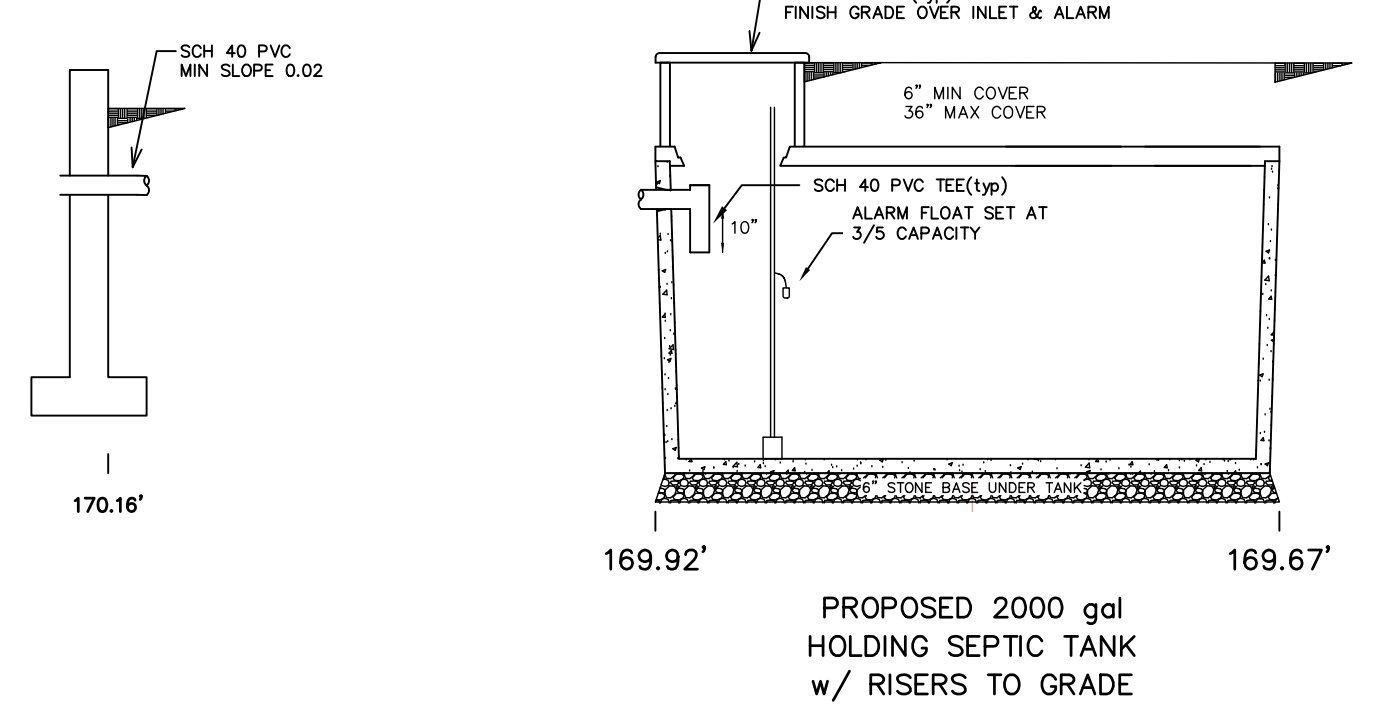
- STAKED STRAW WATTLES SHALL BE INSTALLED AS SHOWN ON THE PLAN. THEY SHALL BE INSPECTED BY THE LOCAL CONSERVATION COMMISSION, IF REQUIRED, BEFORE CONSTRUCTION.
- WITHIN THE 100FT BUFFER ZONE ALL DISTURBING OF SOIL SHALL BE MINIMIZED.
- ALL DISTURBED AREAS SHALL BE LOAMED, SEEDED AND MULCHED AS SOON AS POSSIBLE.
- NO WORK OR STORAGE OF MATERIAL SHALL BE DOWN HILL OF THE STRAW WATTLES.
- ALL NECESSARY PERMITS SHALL BE OBTAINED BEFORE WORK COMMENCES.
- OWNER AND CONTRACTOR SHALL ADHERE TO ANY ORDERS ISSUED BY THE LOCAL CONSERVATION COMMISSION.



NOTE:
MAGNETIC MARKING TAPE OR AN APPROVED EQUAL SHALL BE PLACED OVER ALL COMPONENTS AND PIPES IN THE SYSTEM

PRIOR TO ANY EXCAVATION THE CONTRACTOR SHALL NOTIFY DIG SAFE

SYSTEM PROFILE
(nfs)



OPERATION AND MAINTENANCE PLAN

- ALARM SHALL BE SET AT 2/3 OF TANK CAPACITY.
- ACCESS TO TANK SHALL BE MAINTAINED AT ALL TIMES WHEN THE FACILITY IS BEING USED.
- A LICENSED SEPTAGE HAULER SHALL BE CONTACTED WHEN THE ALARM IS ACTIVATED.
- THE SEPTAGE HAULER SHALL INSPECT THE TANK FOR LEAKS OR ILLEGAL OUTLETS AT TIME OF PUMPING AND SHALL NOTIFY THE BOARD OF HEALTH OF ANY PROBLEMS.
- THE SEPTAGE SHALL BE BROUGHT TO A MUNICIPAL TREATMENT PLANT LICENSED TO ACCEPT SEPTAGE, TREATED AND DISCHARGED INTO THE LOCAL RIVER.
- THE ALARM SHALL BE INSPECTED AND TESTED EACH TIME THE TIGHT TANK IS PUMPED OUT.

SCHEDULE OF INVERTS

HSE INV	BEG INVERTS		END INVERTS	
	PROP.	AS-BUILT	PROP.	AS-BUILT
ST TANK	170.16'			
PC TANK	169.92'			
D-BOX				
PIPE 1				
PIPE 2				
PIPE 3				
PIPE 4				
PIPE 5				
PIPE 6				
PIPE 7				
PIPE 8				

DESIGN CALCULATIONS

DESIGN CRITERIA:
SINGLE FAMILY HOME NO GARBAGE DISPOSAL
DESIGN PERC RATE:
LOADING RATE:
DESIGN FLOW:
(3 BEDROOM(S)) (110 gpd/BEDROOM) = 330 gpd
SEPTIC TANK:
2000 gal REQUIRED - 2000 gal PROVIDED
SOIL ABSORPTION SYSTEM (SAS):
REQUIRED:
PROVIDED:

DESIGNER CERTIFICATIONS

I certify that in June of 1994 I passed the soil evaluator examination by the Department of Environmental Protection and that the above analysis was performed by me consistent with the required training, expertise and experience described in 310 CMR 15.017.
Signature _____ Date _____

SOIL TESTING RESULTS

DATE OF TEST:
SOIL EVALUATOR:
WITNESS:

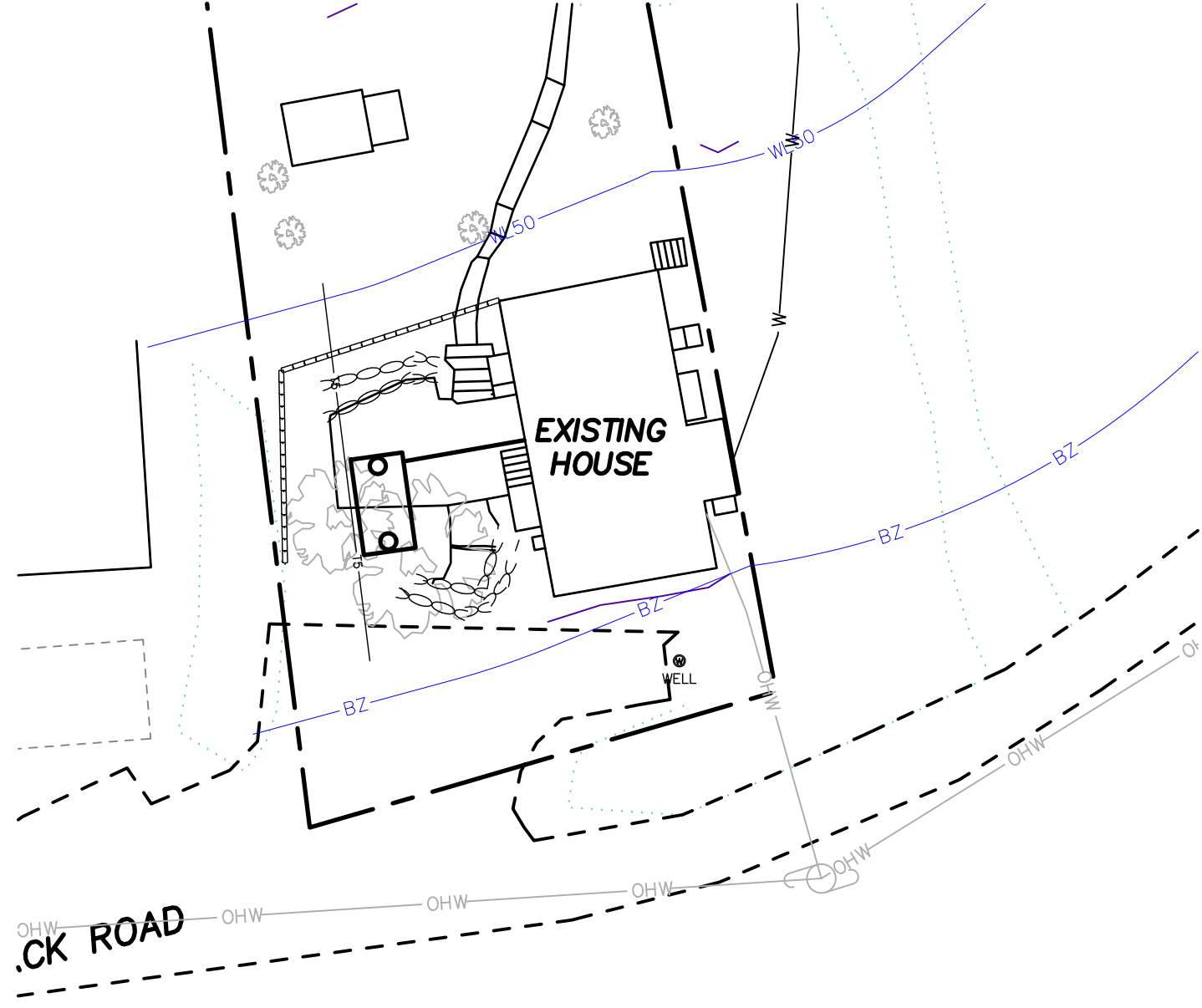
GENERAL NOTES

- ALL CONSTRUCTION PRACTICE AND MATERIALS MUST CONFORM TO 310 CMR 15 (TITLE 5) AS REVISED 9 SEPTEMBER 2016 AND/OR LOCAL REGULATIONS.
- CONTRACTOR IS RESPONSIBLE FOR VIEWING SITE BEFORE BIDDING JOB TO BECOME FAMILIAR WITH ALL ASPECTS OF THE JOB.
- CONTRACTOR SHALL VERIFY ALL INVERTS AND SETBACKS FROM WELLS, PROPERTY LINES AND WATER BEFORE BEGINNING WORK.
- IF CONDITIONS IN THE FIELD DIFFER THAN THOSE SHOWN ON THE PLAN, WORK SHALL STOP, AND THE DESIGN ENGINEER AND THE BOARD OF HEALTH SHALL BE CONSULTED BEFORE WORK CONTINUES.
- CONTACT THE DESIGN ENGINEER AND BOARD OF HEALTH FOR A REQUIRED BOTTOM INSPECTION BEFORE PLACING SAND OR STONE. CONTACT DESIGN ENGINEER AND BOARD OF HEALTH FOR FINAL INSPECTION BEFORE COVERING SYSTEM.
- THE CONTRACTOR SHALL INSURE ALL NECESSARY PERMITS HAVE BEEN OBTAINED BEFORE INSTALLING THE SYSTEM.
- NO PERMANENT STRUCTURES SHALL BE PLACED ON THE PROPOSED DISPOSAL SYSTEM.
- PROPERTY LINES ARE GRAPHIC ONLY AND ARE NOT TO BE USED TO ERECT FENCES OR SHEDS. NO PROPERTY SURVEY WAS DONE.
- THE DESIGN ENGINEER'S ONLY WARRANTY IS THE SYSTEM IS DESIGNED ACCORDING TO TITLE V UNLESS OTHERWISE NOTED.

LOCUS MAP



STAKE OUT INFO



GREEN HILL
ENGINEERING

PERC TESTING SEPTIC DESIGN WETLAND PERMITTING ENVIRONMENTAL CONSULTING

10 MAIN STREET
STURBRIDGE, MA 01566
508-347-5226 (W)
508-347-9857 (F)

PROPOSED HOLDING TANK AND WELL REPAIR
BETTY RAE POPPO et al TRUST
6 CORMACK ROAD
STURBRIDGE MA
21 MARCH 2020

MAP 44-6

JOB: 2020-020