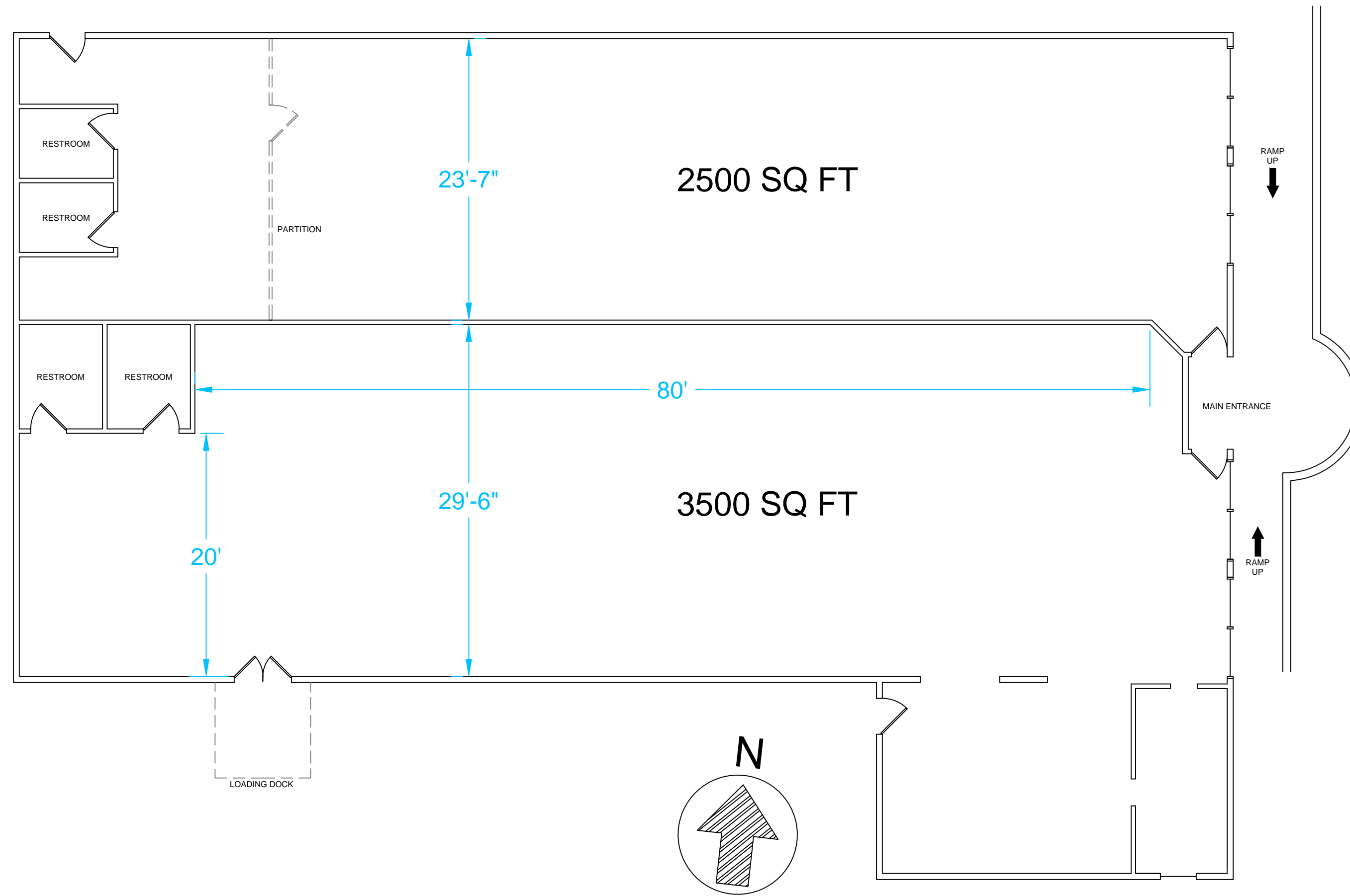


GENERAL NOTES:
 1) THIS DRAWING IS FOR
 REFERENCE ONLY.

Rev. No.	Rev. Date	Revision	Drn by	App'd
A	10-28-19	FOR REFERENCE	RR	



Title			
29-31 BROOKFIELD RD STURBRIDGE, MA. FLOOR PLAN, FIRST FLOOR			
Drawn by	ROBERT ROUFAL	Date	28 OCT 2019
Checked by	N/A	Date	N/A
Dwg. Type	ARCHITECTURAL	Scale	1/8" = 1'0"
Drawing No.	A-001	Sheet No.	1 OF 1
			Revision
			A

Drawing Size
 ARCH C (24"X18")