

Dunkin' | 215 Charlton Road, Sturbridge, MA 01566 | NextGen Branding Package | October 28, 2022





Exclusive Brand Identity Warranty Program

Poyant is the only Approved DBI Brands Vendor to provide an Exclusive 3 Year Comprehensive Labor and Material Warranty on all aspects of the Dunkin' Donuts and Baskin Robbins Brand Package.

Our Warranty to you is supported by the largest installation and service fleet in New England as well as a reliable, qualified national network.

Poyant's Exclusive 3 Year Warranty Program for DBI includes:

Comprehensive Warranty including all labor and material and covers the following:

- Construction and framework of your displays
- Paint finish against peeling and noticeable fading of acrylic polyurethane finishes
- Polycarbonate G.E. Lexan faces are guaranteed against breakage
- All internal lighting components, electrical system, LED's and power supplies
- Steel support structures

Factory Trained Service Technicians anywhere in New England

For shipped sign product warranty covers sign product only

Customer _____

Location _____

Install Date _____

_____ Poyant _____ Date

Excludes "Acts of God", Hurricanes, Unusual Flooding, and Fire.

Poyant
Building Your Brand



215 Charlton Road
Surbridge, MA 01566

Project: 21814
Dunkin'

Sales: Bill Gavigan Jr.
Date: 10.28.22
Designer: RMA

Note:
This is an original unpublished drawing created by Poyant Signs, Inc. It is submitted for your personal use in connection with a project being planned for you by Poyant Signs, Inc. It is not to be shown to anyone outside your organization, nor is it to be reproduced, copied or exhibited in any fashion until transferred.

Revisions:



This sign is intended to be installed in accordance with the requirements of Article 600 of the National Electrical Code and / or other applicable local codes. This includes proper grounding and bonding of the sign.

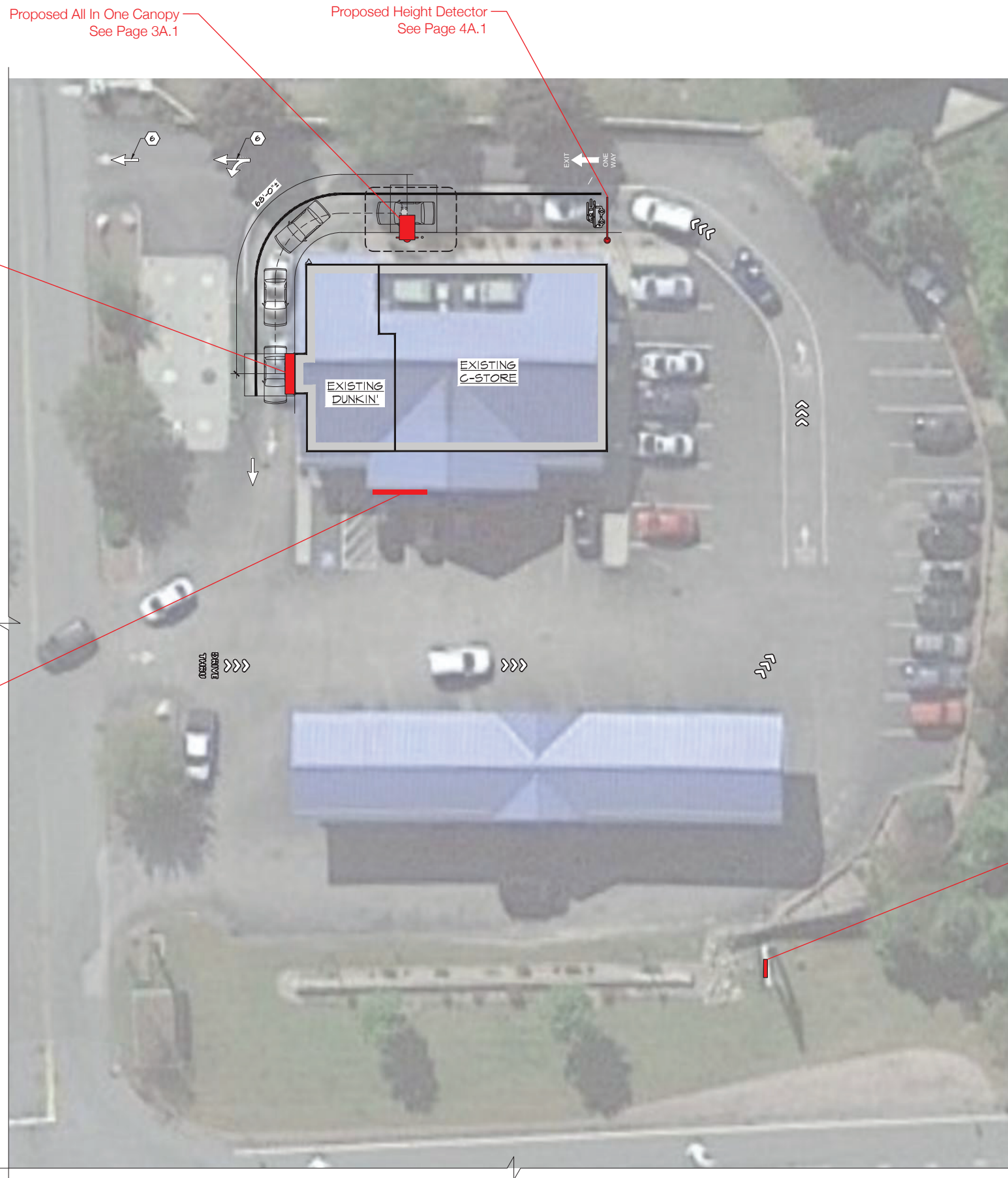


All Signage Shown is Covered by Poyant's Exclusive DD Franchisee 3 Year Brand Identity Warranty Program

Approved By:

Date:

Sign Location Plan



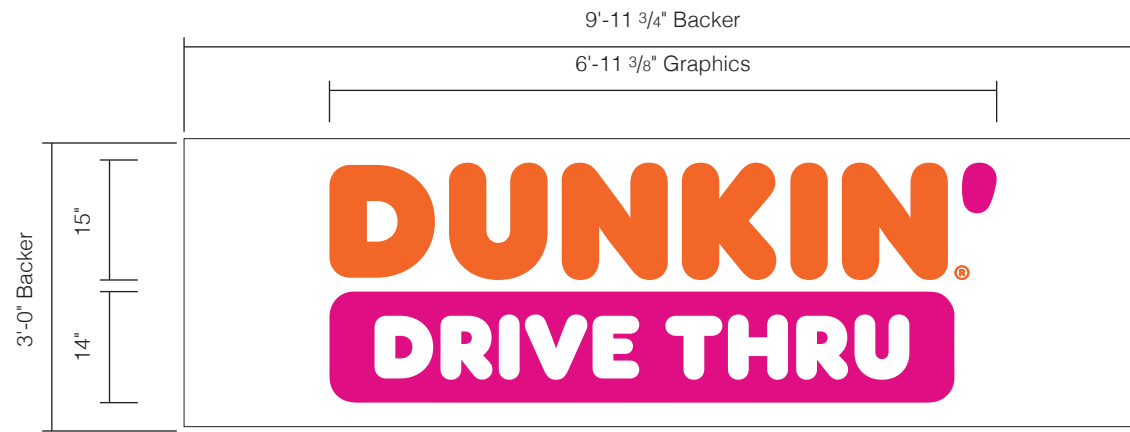
Proposed All In One Canopy
See Page 3A.1

Proposed Height Detector
See Page 4A.1

Proposed Awning Refurbish
See Page 6A.1

Proposed Dimensional Graphics
See Page 1A.1

Proposed Pylon Replacement Faces
See Page 2A.1



A Sign Elevation - Front View
Scale: 3/4"=1'-0"



B Sign Elevation - Side Views
Scale: 3/4"=1'-0"

Specifications

Qty: 1 30 Sq Ft

Dimensional Graphics on Backer

Graphics

- Dunkin' and Magenta Band to be 3/4" PVC; painted accordingly
- All graphics to be Flush Mounted to Backer using VHB Tape & Adhesive

Backer:

- 1" x 1" x 1/8" Fabricated Aluminum Angle Frame clad with .090 aluminum faces; painted white
- 1" x 1" x 1/8" Aluminum Angle inner mounting frame
- Frame mounted to wall via inner frame and fasteners as required

Colors & Materials

Paint

- Paint to Match PMS 219C; Gloss Finish
- Paint to Match PMS 165C; Gloss Finish
- Paint to Match White; Gloss Finish

Vinyl

- White Arlon 02



125 Samuel Barnet Boulevard
New Bedford, MA 02745
800.544.0961 | poyantsigns.com



215 Charlton Road
Surbridge, MA 01566

Project: 21814
Dunkin'

Sales: Bill Gavigan Jr.
Date: 10.28.22
Designer: RMA

Note:
This is an original unpublished drawing created by Poyant Signs, Inc. It is submitted for your personal use in connection with a project being planned for you by Poyant Signs, Inc. It is not to be shown to anyone outside your organization, nor is it to be reproduced, copied or exhibited in any fashion until transferred.

Revisions:



This sign is intended to be installed in accordance with the requirements of Article 600 of the National Electrical Code and / or other applicable local codes. This includes proper grounding and bonding of the sign.



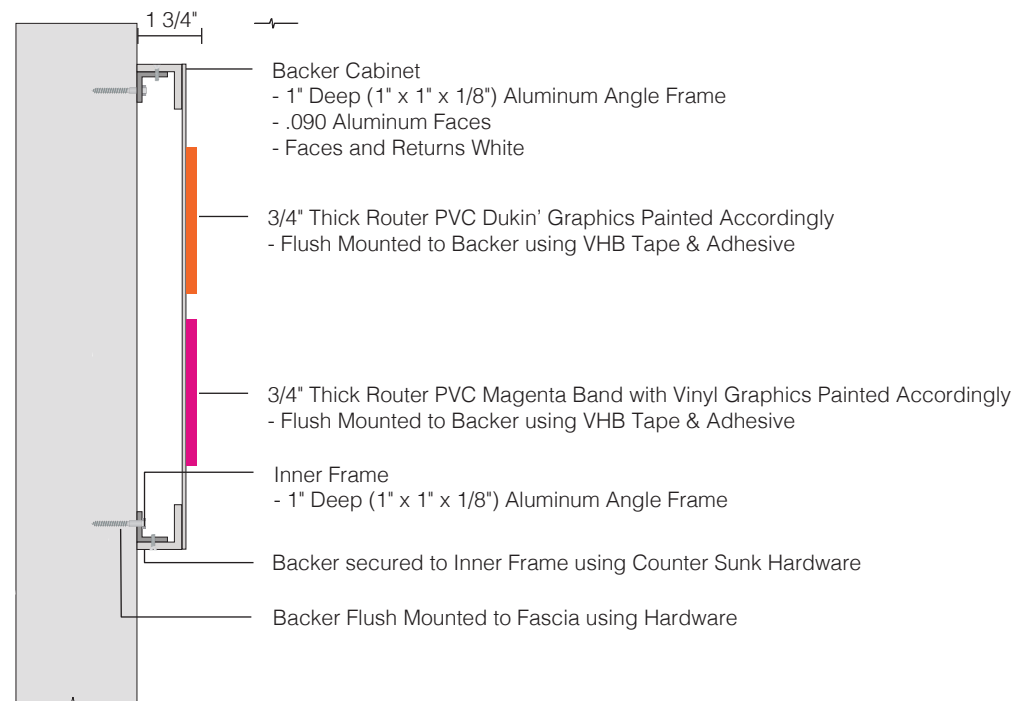
All Signage Shown is Covered by Poyant's Exclusive DD Franchisee 3 Year Brand Identity Warranty Program

Approved By:

Date:

Dimensional Graphics on Backer

Option C



C Sign Elevation - Side Section View
Not to Scale



C Photo Comp - Existing
Not to Scale



D Photo Comp - Proposed
Not to Scale



A Sign Elevation - Front View
Scale: 1/2"=1'-0"

Specifications

Qty = 2 4.5 Sq Ft

Pylon Replacement Faces

- *Remove and dispose of existing Pylon faces
- *Cabinet, retainer and poles to sanded, primed and painted in field
- *Note: Minimum 50° to paint in field

- (Qty: 2) Faces to be 0.118" clear solar grade polycarbonate with vinyl applied second surface

Colors & Materials

Vinyl

- DD Orange 3M 3630-3123
- DD Magenta 3M 3630-1379
- White 3M 3630-20



125 Samuel Barnet Boulevard
New Bedford, MA 02745
800.544.0961 | poyantsigns.com



215 Charlton Road
Surbridge, MA 01566

Project: 21814
Dunkin'

Sales: Bill Gavigan Jr.
Date: 10.28.22
Designer: RMA

Note:
This is an original unpublished drawing created by Poyant Signs, Inc. It is submitted for your personal use in connection with a project being planned for you by Poyant Signs, Inc. It is not to be shown to anyone outside your organization, nor is it to be reproduced, copied or exhibited in any fashion until transferred.

Revisions:



This sign is intended to be installed in accordance with the requirements of Article 600 of the National Electrical Code and / or other applicable local codes. This includes proper grounding and bonding of the sign.



All Signage Shown is Covered by Poyant's Exclusive DD Franchisee 3 Year Brand Identity Warranty Program

Approved By:

Date:

Pylon Replacement Faces

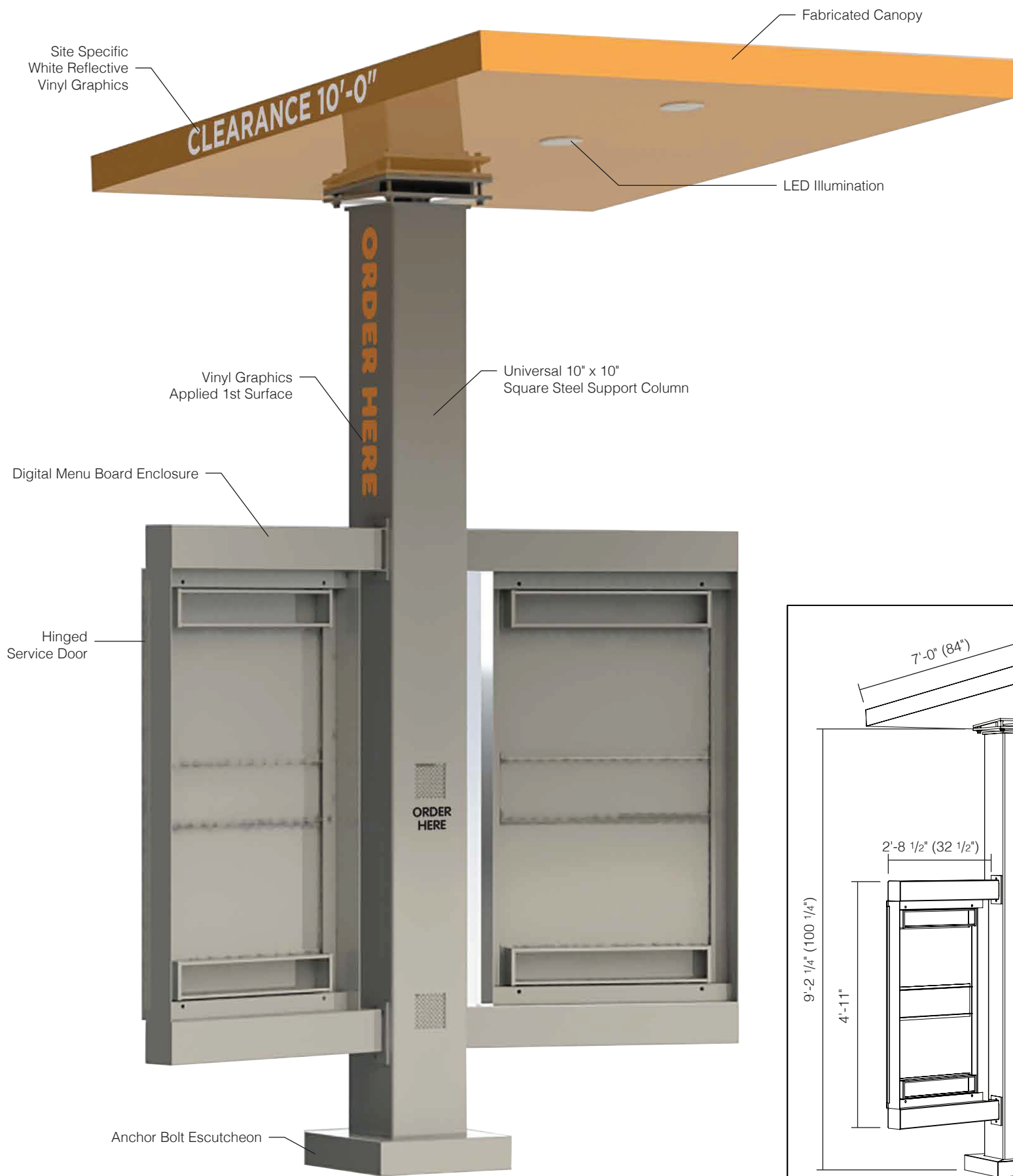
Option A



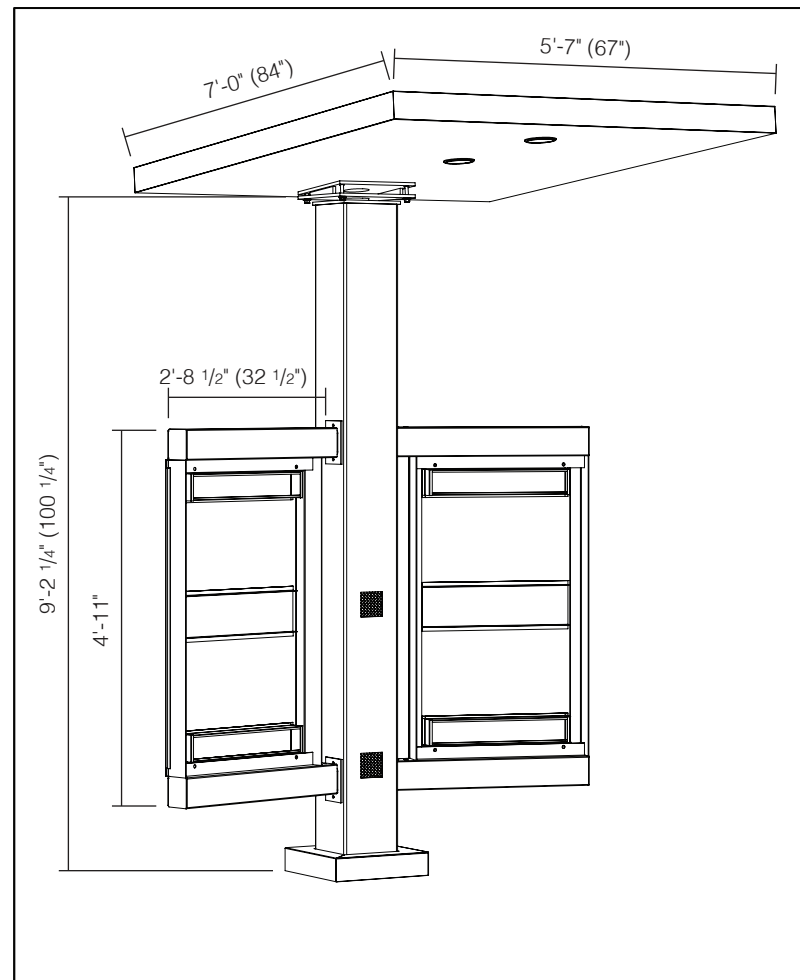
C Photo Comp - Existing
Not to Scale



D Photo Comp - Proposed
Not to Scale



A Sign Elevation - Front View
Not to Scale



B Sign Elevation - Isometric View
Not to Scale

Specifications

Qty = 1

All In One Drive Thru Canopy

- 10" x 10" x 3/16" Square Steel Pole
- Custom fabricated aluminum canopy
- .063 Aluminum cladding
- (Qty:2) recessed down light fixtures
- Canopy manufactured with swing away feature in the case of a vehicle strike
- (Qty:2) 4" x 4" square grilles installed in pole for microphone / speaker assemblies
- Foam insulation installed on sides and back of pole around microphone / speaker assemblies
- Custom fabricated Digital Menu Enclosures
- Menu Enclosures mounted to brackets on steel pole with range of motion for on-site adjustments
- Vertical steel pole welded to 16 1/2" x 16 1" steel mounting plate
- Anchor Bolt Escutcheon fabricated with .063 aluminum
- Mounting plate attached to (Qty:4) 3/4" dia. anchor bolts (36" long with 32" embedment)
- 4'-0" deep x 2'-0" wide x 2'-0" windload concrete footing


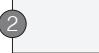



*120V TBD in field

*Clearance to be determined in field and appropriate numbers applied in field

Additional Notes:

- Strongly recommended to secure permit before ordering canopy to confirm local codes are met
- Some local ordinances may require signed & sealed engineering documentation to be provided

Colors & Materials

- 1**  Paint to Match PMS 165C; Gloss Finish
- 2**  Paint to Match Nebulous White SW 7063; Gloss Finish
- 3**  Opaque Vinyl Black
- 4**  Reflective Vinyl White
- 5**  Opaque Vinyl Orange; 3M 7725-14



125 Samuel Barnet Boulevard
New Bedford, MA 02745
800.544.0961 | poyantsigns.com



215 Charlton Road
Surbridge, MA 01566

Project: 21814
Dunkin'

Sales: Bill Gavigan Jr.
Date: 10.28.22
Designer: RMA

Note:
This is an original unpublished drawing created by Poyant Signs, Inc. It is submitted for your personal use in connection with a project being planned for you by Poyant Signs, Inc. It is not to be shown to anyone outside your organization, nor is it to be reproduced, copied or exhibited in any fashion until transferred.

Revisions:



This sign is intended to be installed in accordance with the requirements of Article 600 of the National Electrical Code and / or other applicable local codes. This includes proper grounding and bonding of the sign.



All Signage Shown is Covered by Poyant's Exclusive DD Franchisee 3 Year Brand Identity Warranty Program

Approved By:

Date:

All In One Drive Thru Canopy

Option A

Project: 21814
Dunkin'

Sales: Bill Gavigan Jr.
Date: 10.28.22
Designer: RMA

Note:
This is an original unpublished drawing created by Poyant Signs, Inc. It is submitted for your personal use in connection with a project being planned for you by Poyant Signs, Inc. It is not to be shown to anyone outside your organization, nor is it to be reproduced, copied or exhibited in any fashion until transferred.

Revisions:



This sign is intended to be installed in accordance with the requirements of Article 600 of the National Electrical Code and / or other applicable local codes. This includes proper grounding and bonding of the sign.



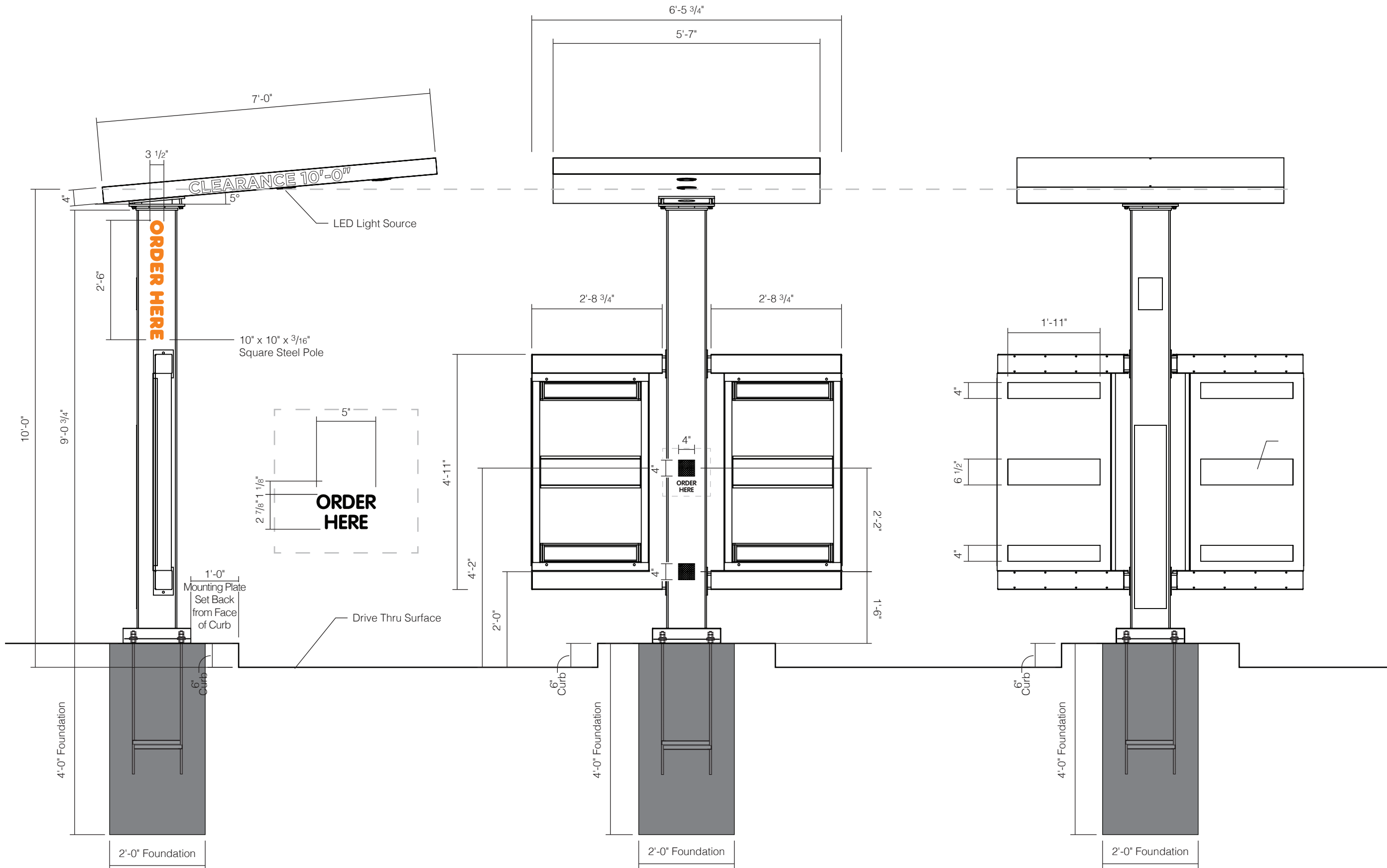
All Signage Shown is Covered by Poyant's Exclusive DD Franchisee 3 Year Brand Identity Warranty Program

Approved By:

Date:

Pylon Replacement Faces

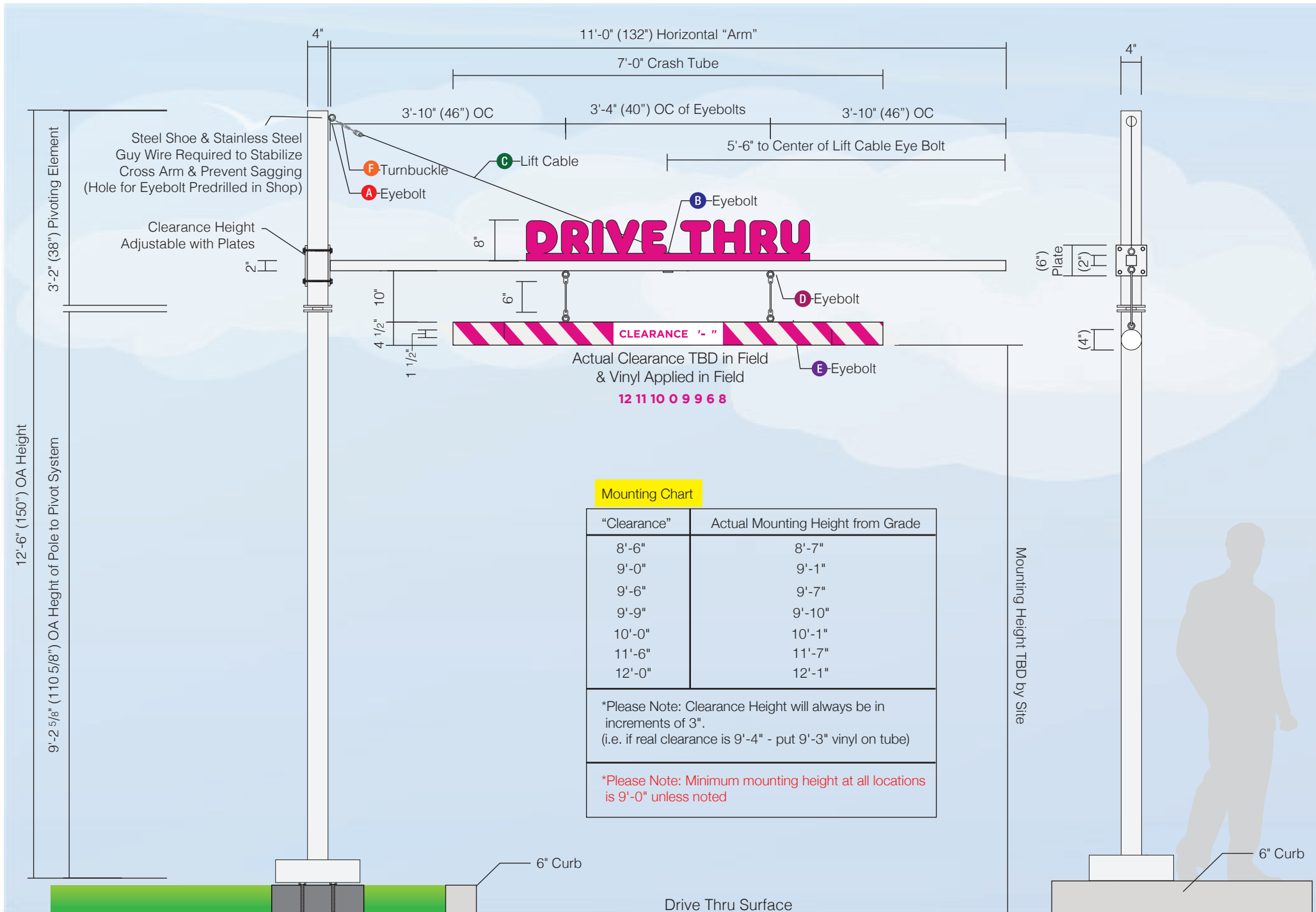
Option A



A Sign Elevation - Side View
Scale: 1/2" = 1'-0"

B Sign Elevation - Front View
Scale: 1/2" = 1'-0"

C Sign Elevation - Back View
Scale: 1/2" = 1'-0"



Mounting Chart

"Clearance"	Actual Mounting Height from Grade
8'-6"	8'-7"
9'-0"	9'-1"
9'-6"	9'-7"
9'-9"	9'-10"
10'-0"	10'-1"
11'-6"	11'-7"
12'-0"	12'-1"

*Please Note: Clearance Height will always be in increments of 3".
(i.e. if real clearance is 9'-4" - put 9'-3" vinyl on tube)

*Please Note: Minimum mounting height at all locations is 9'-0" unless noted

(B) Sign Elevation - Side View
Scale: 1/2" = 1'-0"

(A) Sign Elevation - Front View
Scale: 1/2" = 1'-0"

- Special Order Parts**
- (A)** (Qty 1) 3/8"-16 x 4" McMaster-Carr Galvanized Steel Eyebolt with Shoulder for Lifting (3014T906) *Vertical Pole
 - (B)** (Qty 1) 3/8"-16 x 2 1/2" McMaster-Carr Galvanized Steel Eyebolt with Shoulder for Lifting (3014T62) *Horizontal Arm (Top)
 - (C)** (Qty 1) McMaster-Carr Galvanized Steel Wire Rope, 7 x 7, 3/16" Diameter (Cut to Size in Field) (3450T31)
 - (D)** (Qty 2) 1/4"-20 x 2 1/2" McMaster-Carr Zinc Plated Eyebolt with Nut (9489T21) *Horizontal Arm (Bottom)
 - (E)** (Qty 2) 1/4"-20 x 1" McMaster-Carr Zinc Plated Eyebolt with Nut (9489T17) *Clearance Tube
 - (F)** (Qty 1) McMaster-Carr Forged Galvanized Steel Turnbuckle Hook-to-Eye, 700 lbs. Capacity, 9-1/4" Retracted Length (2998T52)
 - (G)** (Qty 6) McMaster-Carr Oval Shaped Threaded Connecting Link 1/4" - 9/32", (8947T16)

Specifications
Qty = 1

Single Lane Swing Tube Height Detector

- **Horizontal Arm** to be 2" x 2" x 1/8" x 11'-0" square steel tube welded to 3/8" steel mounting plate and capped at other end (See Detail D-F on page 05.2); painted Nebulous White
- **"Drive Thru"** to be .090 aluminum routed with 1" brake formed mounting flange at bottom, to mechanically fasten to horizontal bar; painted PMS 219C
- **Crash Tube** to be 4" dia SCH40 PVC tube wrapped with reflective digital print; clearance designation to be opaque vinyl applied to digital print; cap ends with white shipping tube end caps
- Crash Tube to have (Qty: 2) **(E)** McMaster-Carr 1/4" x 1" Eyebolts and (Qty: 2) 1/16" x 6" aircraft cables; to attach to thru bolted (Qty: 2) **(D)** McMaster-Carr 1/4" x 2 1/2" Eyebolt thru bolted to Horizontal Arm above
- **(C) Lift Cable** to be Approx 105" x 3/16" galvanized steel cable, to attach to Vertical Pole using (Qty: 1) **(F)** McMaster-Carr turnbuckle, turnbuckle to attach to (Qty: 1) **(A)** McMaster-Carr 3/8"-16 x 4" Eyebolt thru bolted at top of vertical pole
- Other end of Lift Cable to attach to (Qty: 1) **(B)** McMaster-Carr 3/8"-16 x 2 1/2" Eyebolt, thru bolted to Horizontal Arm (to prevent Horizontal Arm from sagging)
- (Qty: 6) **(G)** McMaster-Carr Oval Shaped Connecting Links to be used to connect all cables to eyebolts and turnbuckle
- **Vertical Pole** to be 4" x 4" x 1/4" x 12'-0" OAH square steel pole; Horizontal Arm attaches to Vertical Pole with (Qty 2) 6" x 6" x 3/8" steel plates on either side of pole thru bolted with (Qty 4) 3/8" dia bolts; painted Nebulous White (See Detail D-F on page 05.2)
- **Height Detector manufactured with Swing Away feature if struck by vehicle; gravity will return canopy to aligned position (See all notes and details on page 02.3)**
- Pole to be welded to an 11 3/4" x 11 3/4" x 1/2" thick steel Mounting Plate (See Detail C on page 05.2)
- **Plate Cover** to be brake formed .063 aluminum painted Nebulous White (See Detail G on page 05.2)
- **Vertical Pole Base Plate** to attach to (Qty:4) 3/4" dia. anchor bolts (36" long with 32" embedment)
- **Foundation** by others to be 4'-0" deep x 1'-6" wide x 1'-6" windload

***See Page 7A.2 for install instructions**
*Clearance TBD on site & appropriate numbers added

Colors & Materials

Vinyl
 DD Orange (Clearance)
 Arlon 2100-58

Paint
 To Match PMS 219C; Gloss Finish
 To Match Nebulous White, SW 7063; Gloss Finish

Digital Print
 (Qty 1)
 14 1/4" x 84"
 Reflective Digital Print; 3M Controltac

- Qty 1 Cam Bearing: McMaster-Carr High-Load Threaded Track Roller Black-Oxide Steel, Flat with Seal, 3/4" Roller Diameter 3643K48
- Qty 1 McMaster-Carr Steel Extension Spring with Hook Ends (9654K476)

Poyant
Building Your Brand

125 Samuel Barnet Boulevard
New Bedford, MA 02745
800.544.0961 | poyantsigns.com

DUNKIN'

215 Charlton Road
Surbridge, MA 01566

Project: 21814
Dunkin'

Sales: Bill Gavigan Jr.
Date: 10.28.22
Designer: RMA

Note:
This is an original unpublished drawing created by Poyant Signs, Inc. It is submitted for your personal use in connection with a project being planned for you by Poyant Signs, Inc. It is not to be shown to anyone outside your organization, nor is it to be reproduced, copied or exhibited in any fashion until transferred.

Revisions:

UL

This sign is intended to be installed in accordance with the requirements of Article 600 of the National Electrical Code and / or other applicable local codes. This includes proper grounding and bonding of the sign.

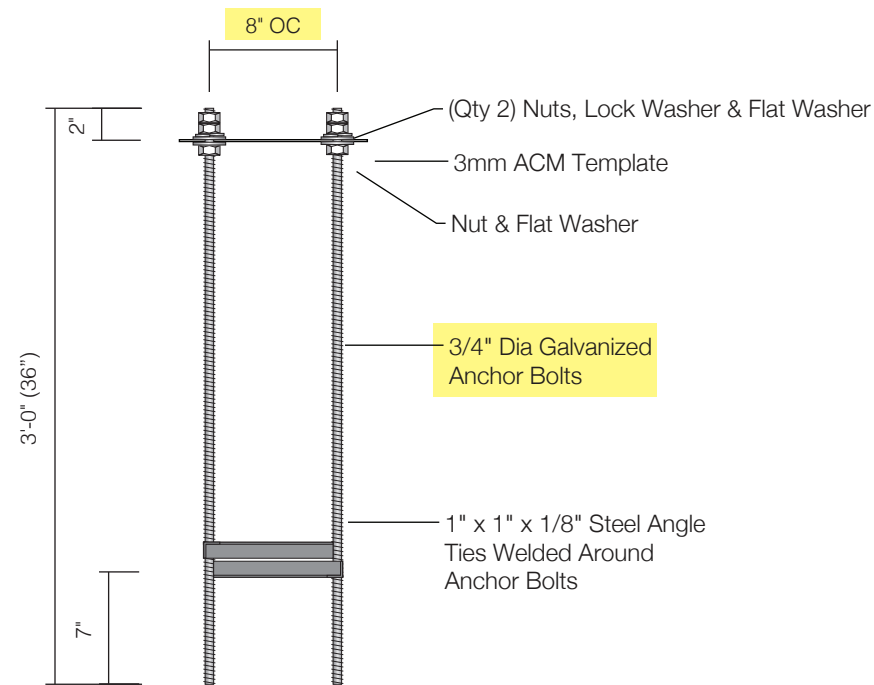
3 YEAR WARRANTY

All Signage Shown is Covered by Poyant's Exclusive DD Franchisee 3 Year Brand Identity Warranty Program

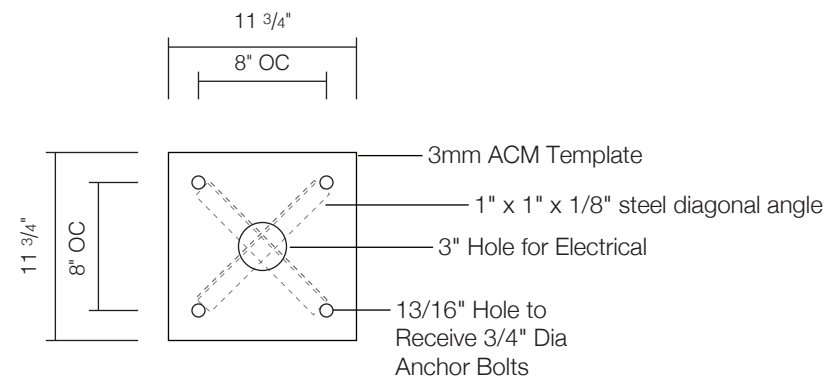
Approved By: _____

Date: _____

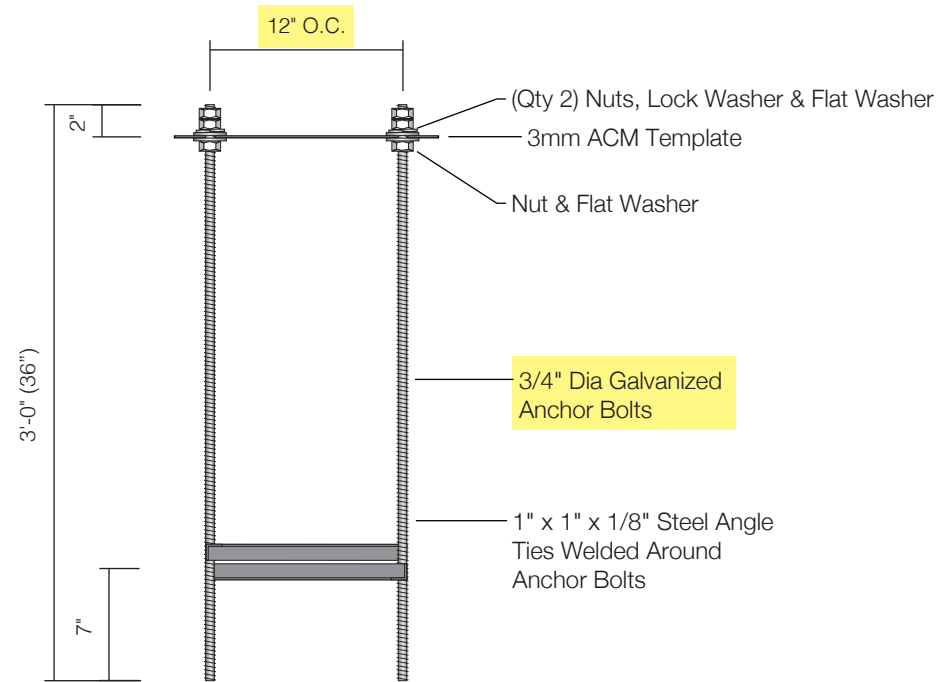
Single Lane Swing Tube Height Detector Option A



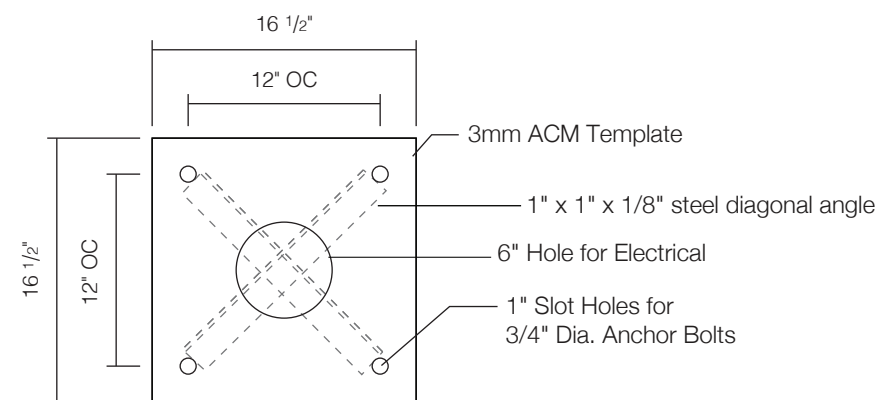
A Anchor Bolt Assembly Detail (Qty: 1)
Scale: 1"=1'-0"



B Plywood Template Detail (Qty: 1)
Scale: 1"=1'-0"



C Anchor Bolt Assembly Detail (Qty: 1)
Scale: 1"=1'-0"



D Mounting Plate Detail - (Qty: 1)
Scale: 1"=1'-0"

Specifications

Qty: 2 (Qty: 1 - 8 OC; Height Detector)
(Qty: 1 - 12 OC; All In One Drive Thru Canopy)

Anchor Bolt Assemblies

- (Qty 4) 3/4" dia galvanized anchor bolts (36" long with 32" embedment)
- (Qty 1) 3mm ACM plate template to hold anchor bolts with 3 nuts, 2 flat washers, and 1 lock washer per bolt
- (Qty: 2) 1" x 1" x 1/8" steel diagonal angle welded to anchor bolts (steel ties welded around) to keep anchor bolts straight and true

Project: 21814
Dunkin'

Sales: Bill Gavigan Jr.
Date: 10.28.22
Designer: RMA

Note:
This is an original unpublished drawing created by Poyant Signs, Inc. It is submitted for your personal use in connection with a project being planned for you by Poyant Signs, Inc. It is not to be shown to anyone outside your organization, nor is it to be reproduced, copied or exhibited in any fashion until transferred.

Revisions:



This sign is intended to be installed in accordance with the requirements of Article 600 of the National Electrical Code and / or other applicable local codes. This includes proper grounding and bonding of the sign.



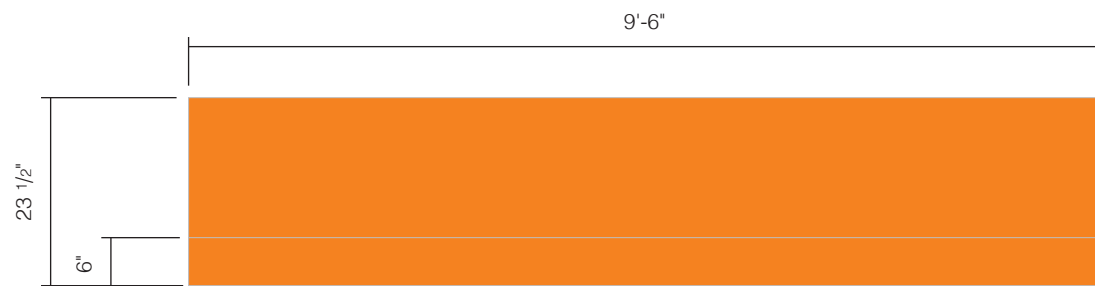
All Signage Shown is Covered by Poyant's Exclusive DD Franchisee 3 Year Brand Identity Warranty Program

Approved By:

Date:

Anchor Bolt Assemblies

Option A



A Sign Elevation - Front View
Scale: 1/2"=1'-0"



B Sign Elevation - Side View - Car Approach Side
Scale: 1/2"=1'-0"

Specifications

Qty = 1

Refurbsh Existing Awning


- New Solid orange awning material
- New Clearance to be white reflective vinyl
- New Internally illuminated with white LED lamps
- New Egg crate bottom
- Silicone at top once installed to prevent water leakage
- *Clearance TBD on site; please add appropriate numbers in field

Colors & Materials

Awning Material

 DD Solid Orange

Vinyl

 White Reflective (Clearance)
3M 680-10



125 Samuel Barnet Boulevard
New Bedford, MA 02745
800.544.0961 | poyantsigns.com



215 Charlton Road
Surbridge, MA 01566

Project: 21814
Dunkin'

Sales: Bill Gavigan Jr.
Date: 10.28.22
Designer: RMA

Note:
This is an original unpublished drawing created by Poyant Signs, Inc. It is submitted for your personal use in connection with a project being planned for you by Poyant Signs, Inc. It is not to be shown to anyone outside your organization, nor is it to be reproduced, copied or exhibited in any fashion until transferred.

Revisions:



This sign is intended to be installed in accordance with the requirements of Article 600 of the National Electrical Code and / or other applicable local codes. This includes proper grounding and bonding of the sign.



All Signage Shown is Covered by Poyant's Exclusive DD Franchisee 3 Year Brand Identity Warranty Program

Approved By:

Date:

Refurbsh Existing Awning

Option A



D Photo Comp - Existing
Not to Scale



E Photo Comp - Proposed
Not to Scale