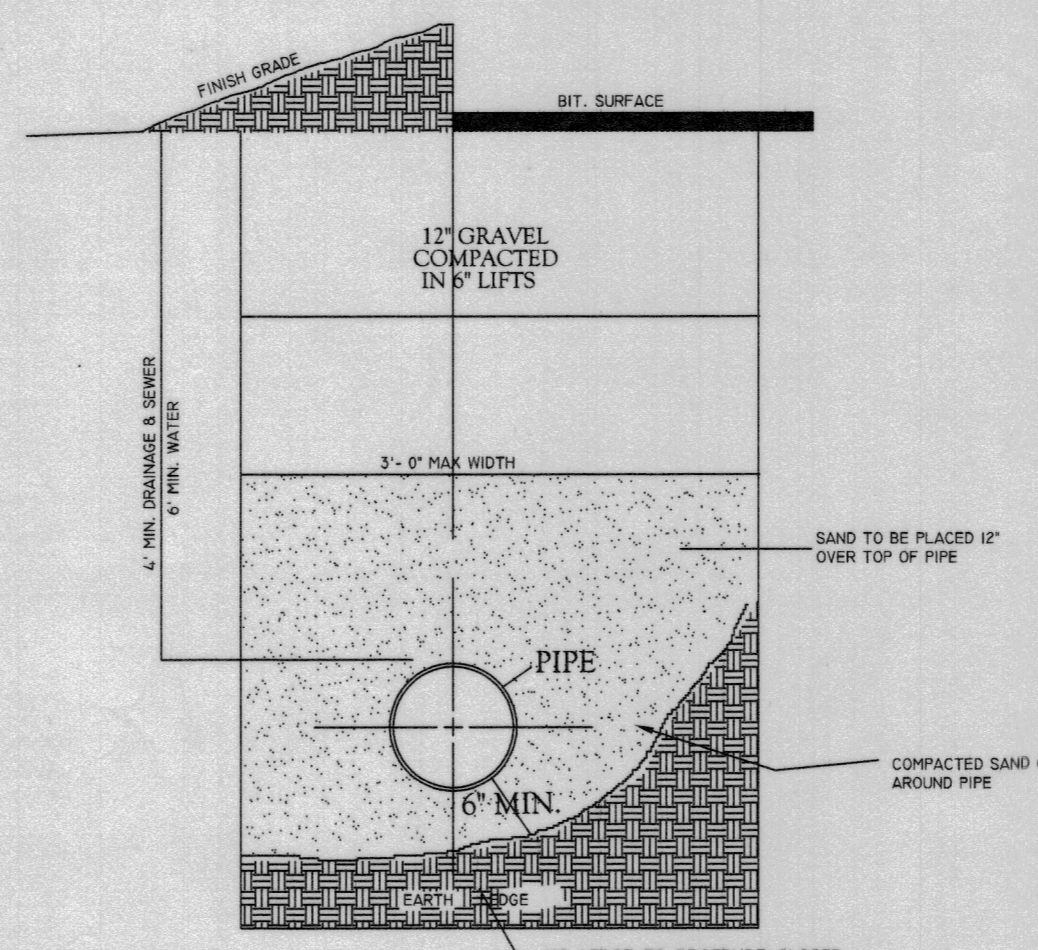
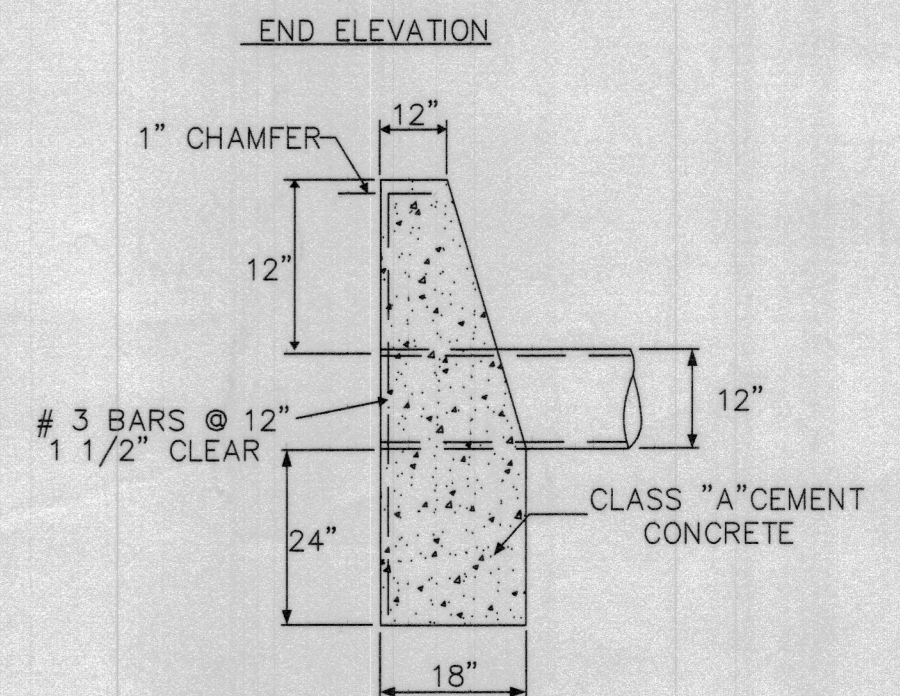
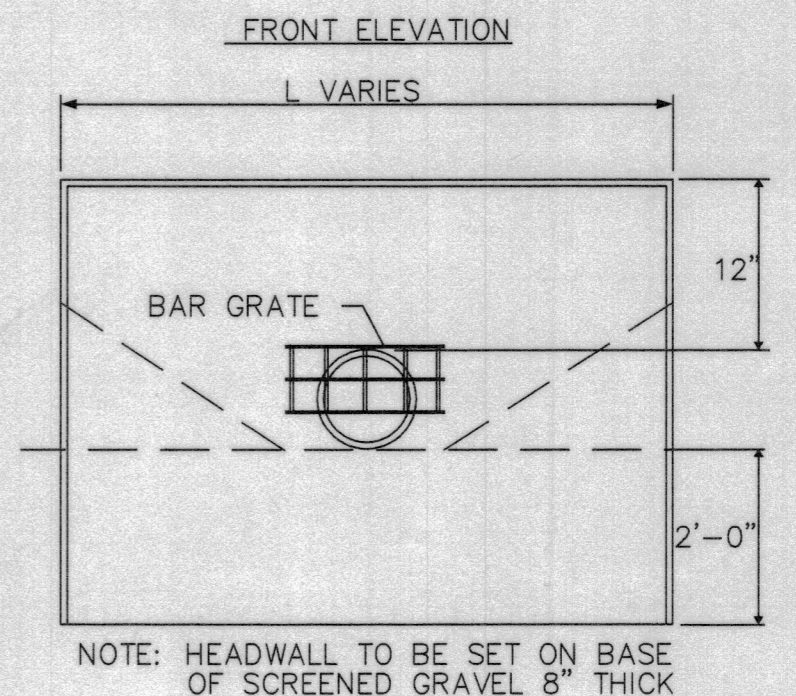


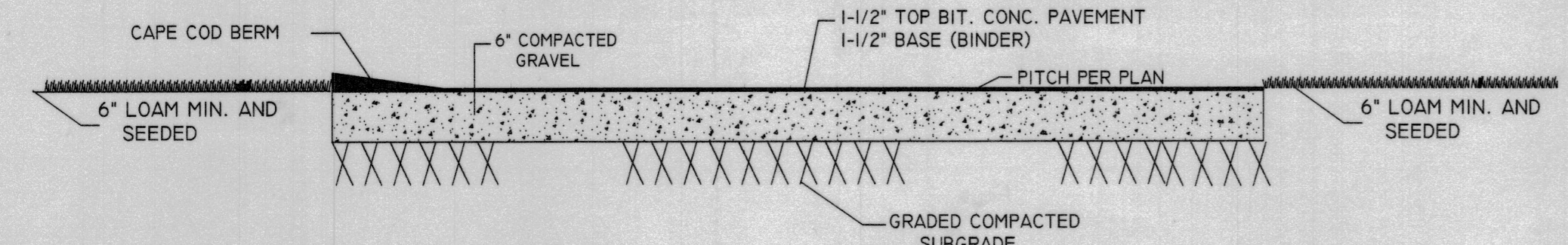
WATER QUALITY SWALE CROSS-SECTION
NOT TO SCALE



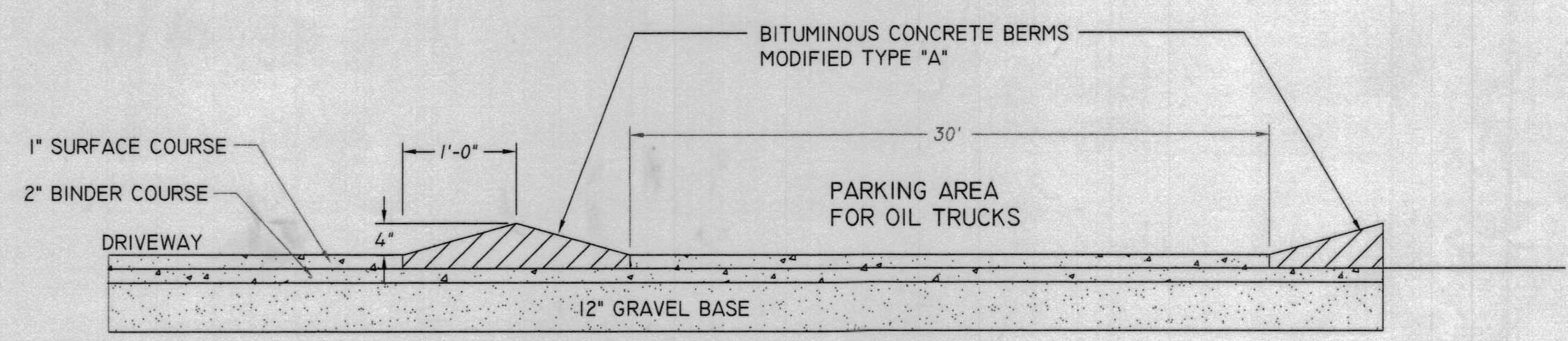
TRENCH DETAIL



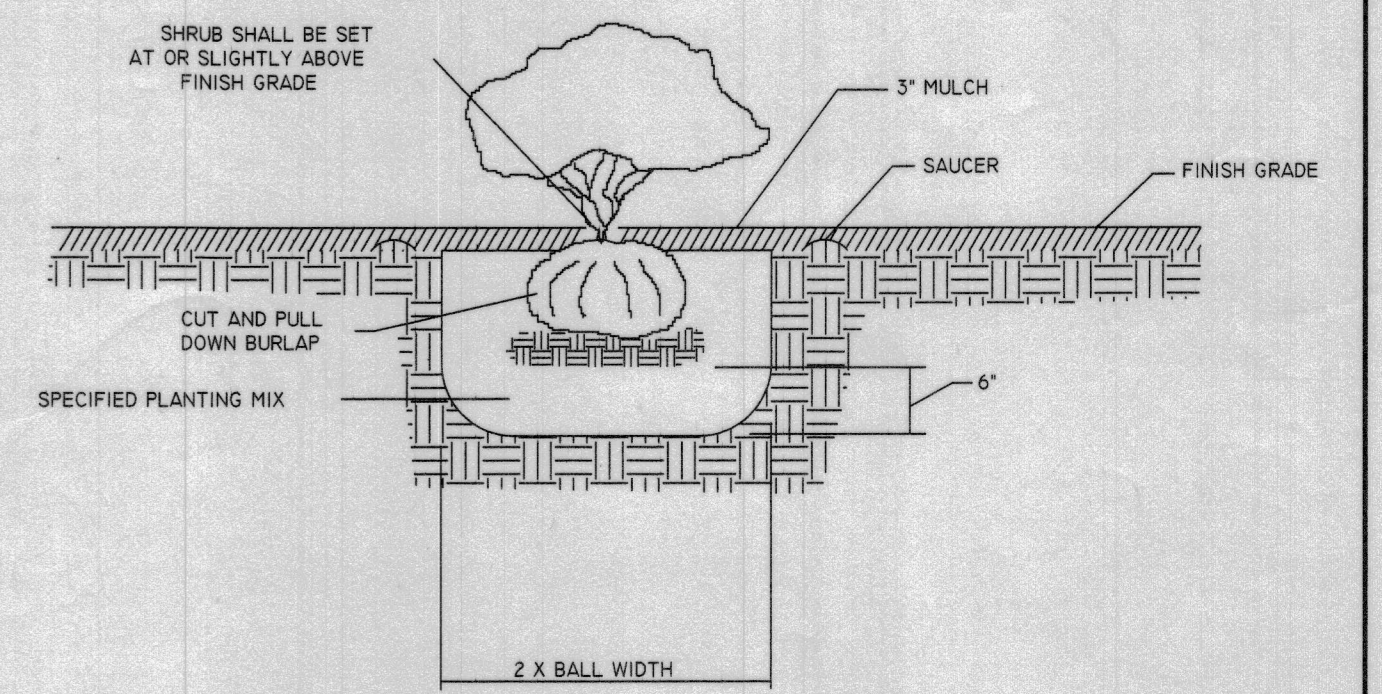
HEADWALL DETAIL
SCALE: NONE



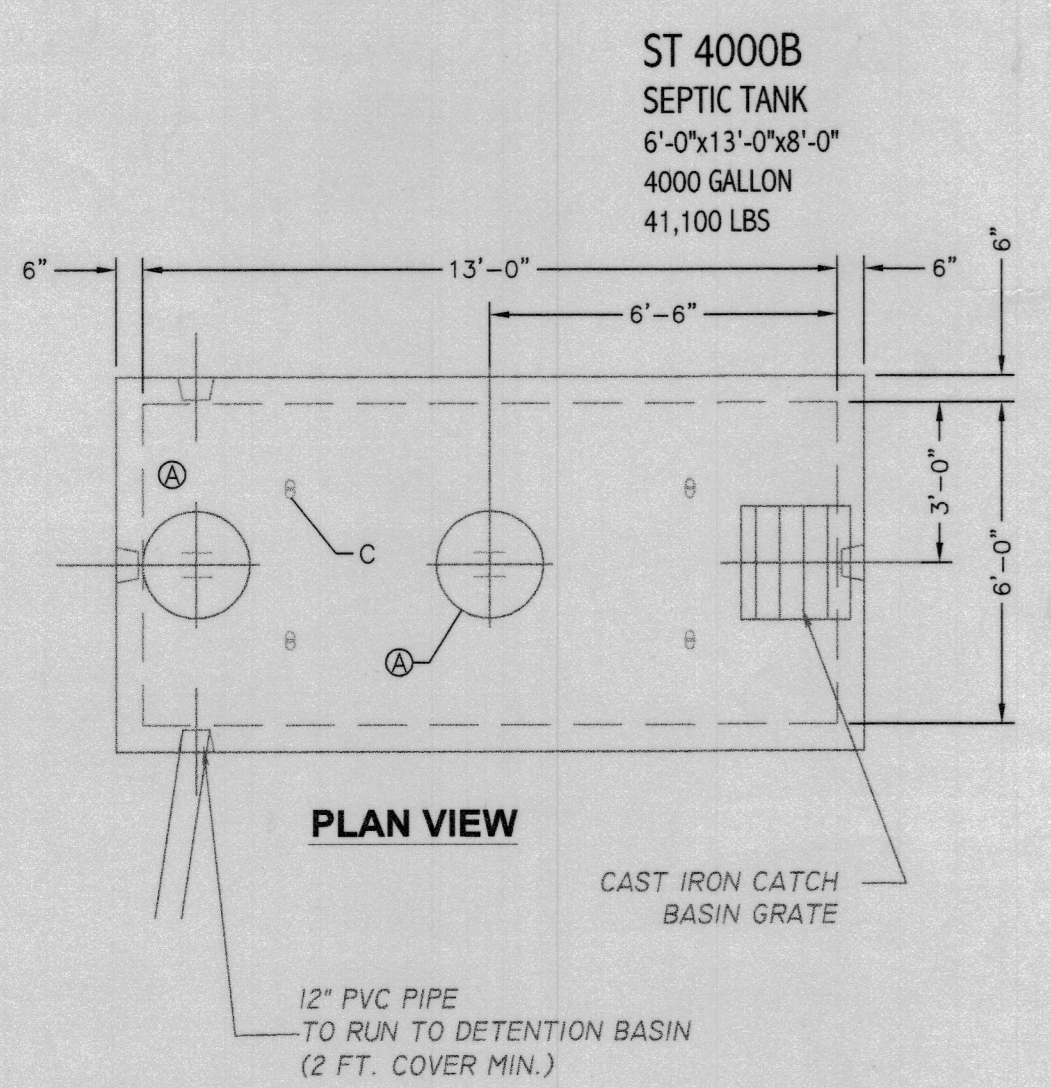
TYPICAL PARKING LOT SECTION
SCALE: NONE



BITUMINOUS CAPE COD BERM FOR CONTAINMENT AREA:
SCALE: NONE



SHRUB PLANTING
NOT TO SCALE

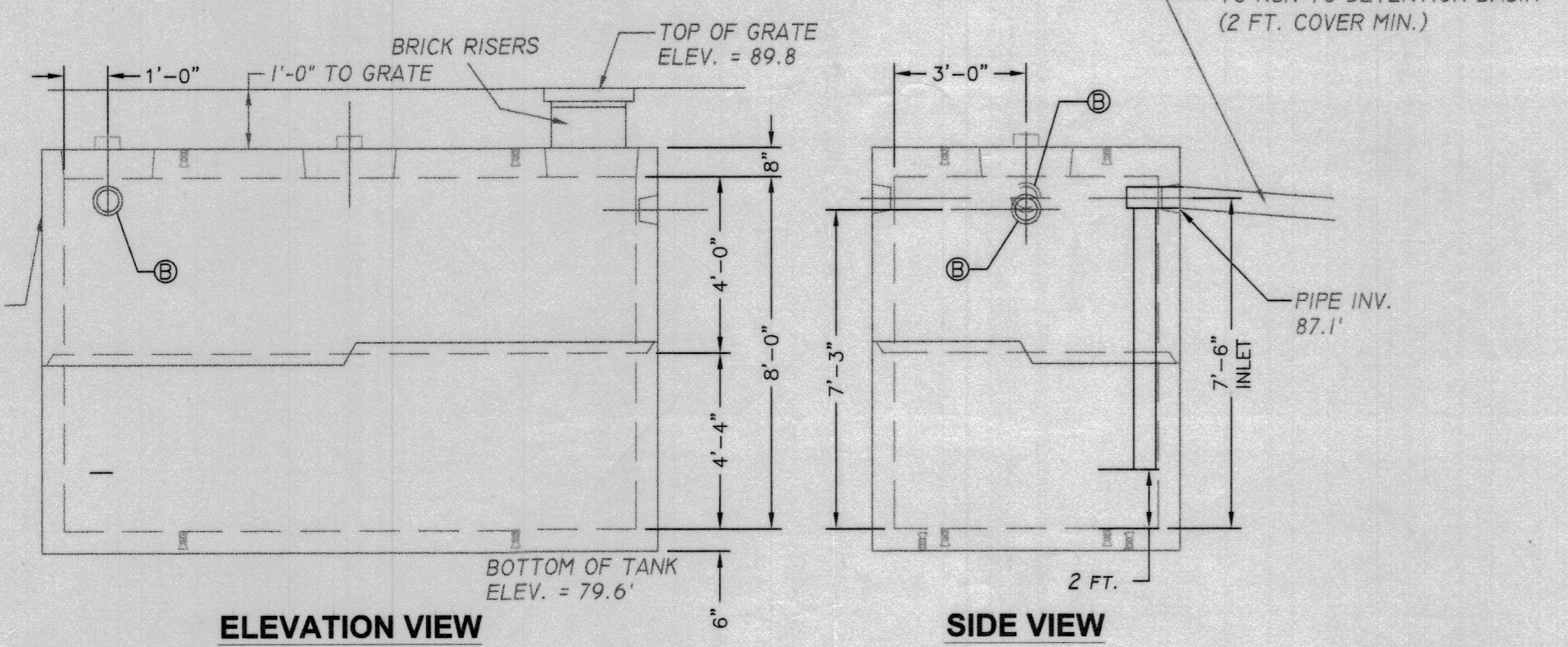


ST 4000B SEPTIC TANK
6'-0"x13'-0"x8'-0"
4000 GALLON
41,100 LBS

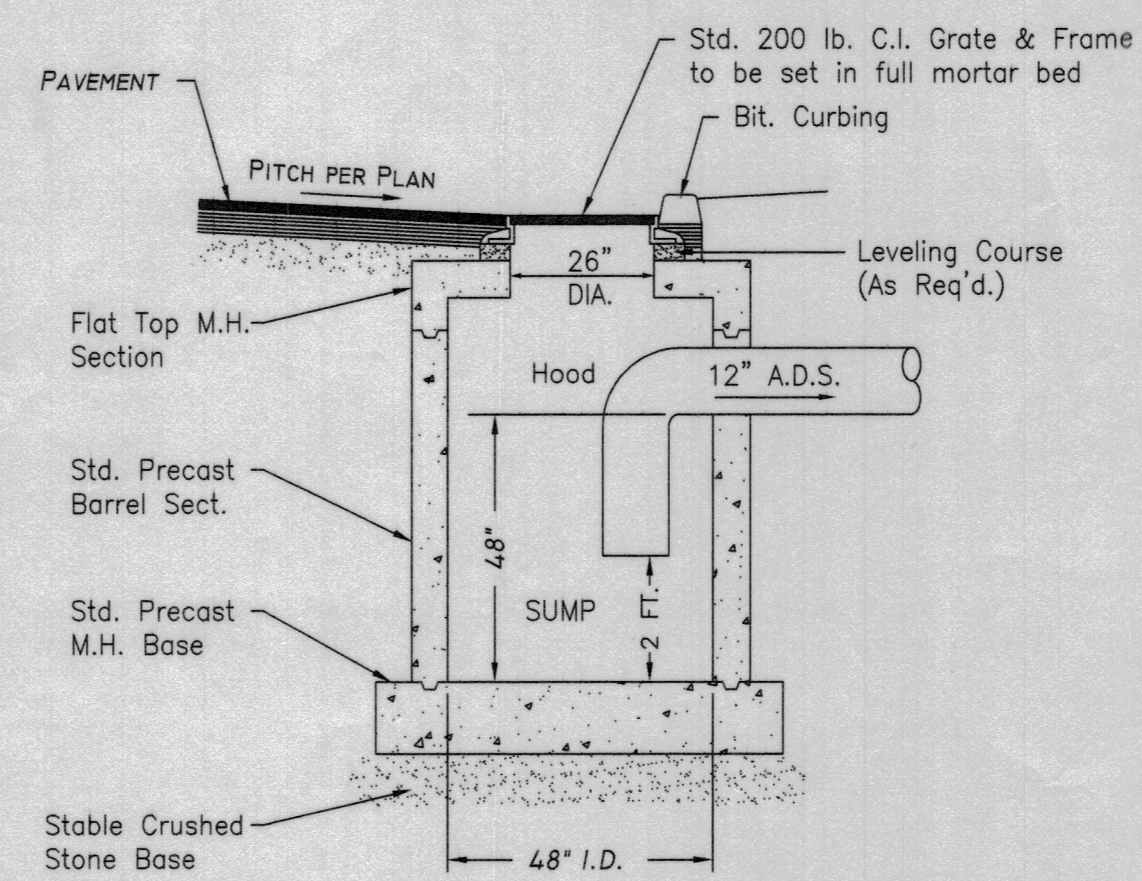
- GENERAL NOTES:**
- Concrete: 28 Day Compressive Strength $f'_c = 5,000$ psi Type III.
 - Rebar: Grade 60 Per ASTM A615 (Black).
 - Design Loading: AASHTO HS20-44.
 - General Contractor to Verify all Openings Sizes and Locations.
 - All Pipe and Roof Openings have Additional Rebar Reinforcement.
 - Joint to be Sealed with 1" Butyl Rubber.
 - Any Hardware Shown But not Dimensioned is for Visual Reference Only—Do not Scale for Placement.

DATA CHART

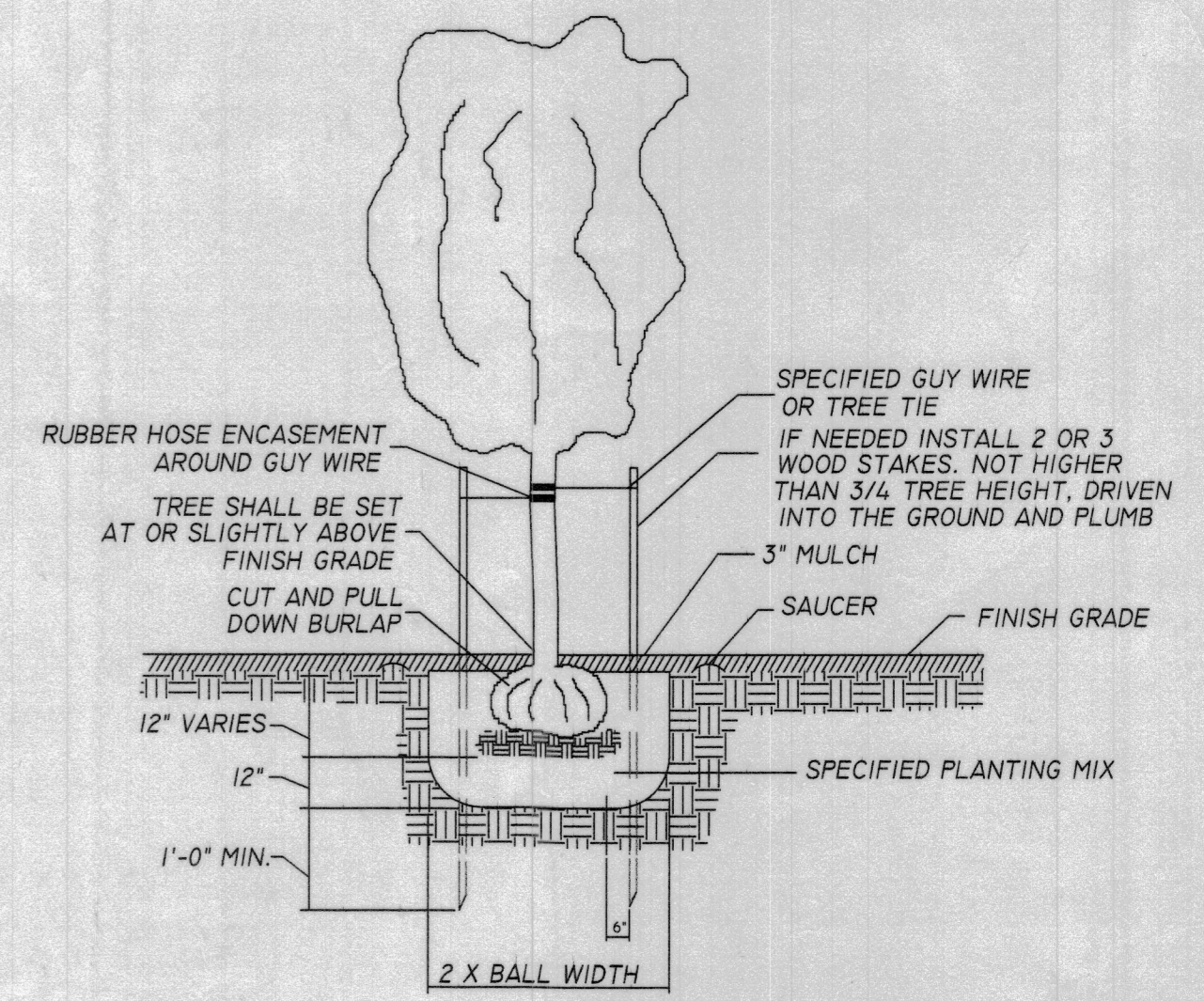
ITEM	Description
(A)	3" 24" Dia. Cleanout
(B)	4" 18" Dia. Knockout
(C)	1/4" 14" Top Tech Anchor



4,000 OIL WATER SEPARATOR TANK
SCALE: NONE





FLAT TOP CATCH BASIN
SCALE: NONE



DECIDUOUS TREE PLANTING
NOT TO SCALE

DATE	BY	REV.	DATE	DESCRIPTION	MADE	CHK'D	AP'VD
11/17/03	JAT	1	12/2/03	ADDITIONAL PLANTINGS	JAT	LSJ	
	LSJ			NORTH ARROW, LOCUS			
	LSJ	3	5/5/04	TITLE BLOCK	ARB	LSJ	
		4	5/22/04	FOR CONSTRUCTION	ARB	LSJ	


JALBERT ENGINEERING, INC.
 CIVIL ENGINEERS & SURVEYORS
 54 Main Street
 Sturbridge, Massachusetts 01566-1244
 Telephone: (508) 347-5136 • Toll Free: 1-800-339-5136
 Fax: (508) 347-7962

DETAIL SHEET
 PIONEER OIL CO., INC
 63 TECHNOLOGY PARK ROAD
 STURBRIDGE, MASSACHUSETTS

 SCALE: AS NOTES

PROJ: TECHRD DWG pioneer-r-1
 PLAN DATE: 11/17/03
 DWG NUMBER
03543
 SHEET 5 OF 5