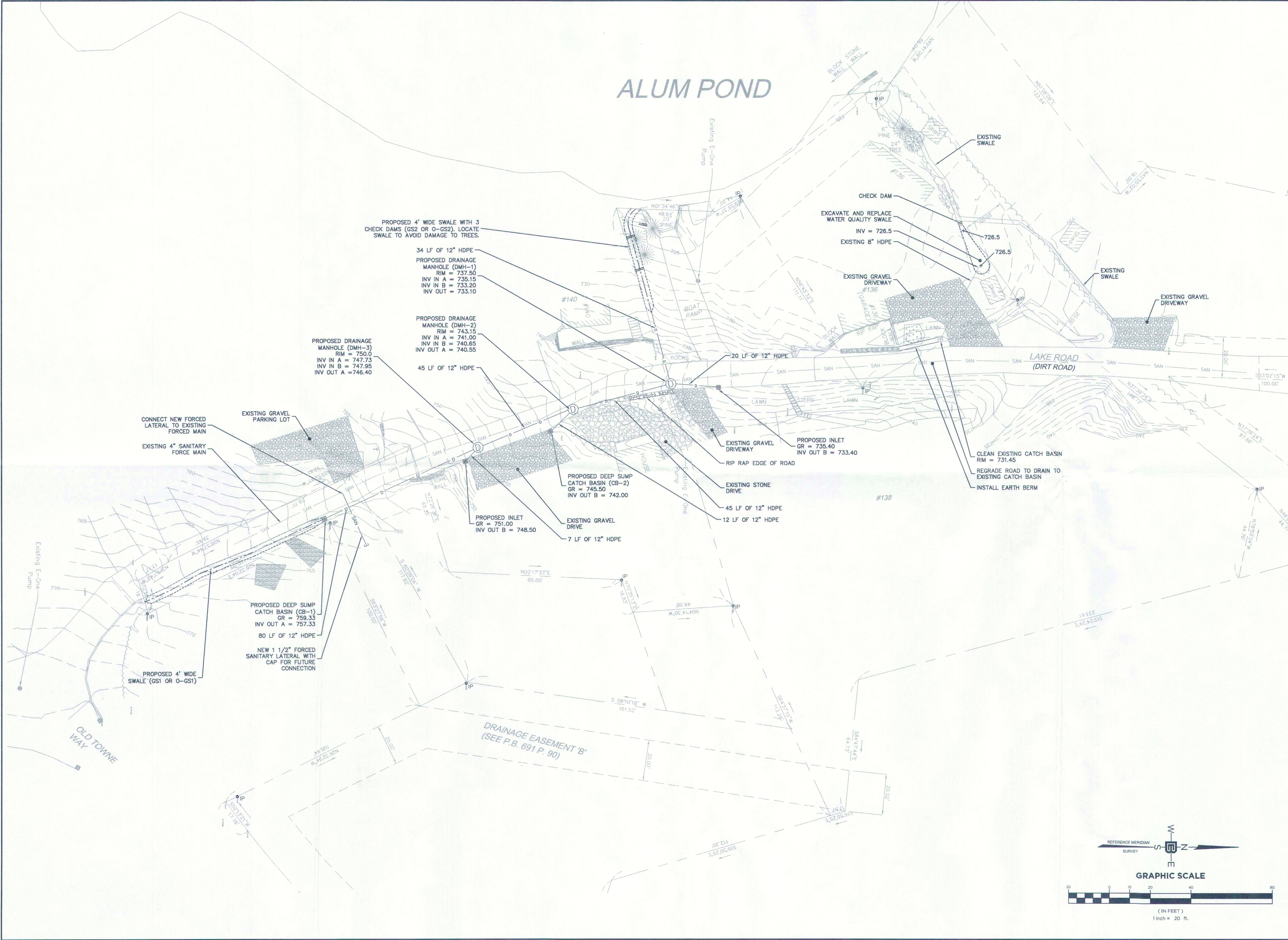


© Bertin Engineering Associates, Inc. 1/15/20 10:15:23 AM Job File: 20191018M-188 Sturbridge, MA\Design\2020\Civil\CAD\DWG\19M-188-PL.dwg Jun 17, 2020 - 10:18:00 ip:alaco



ALUM POND

39 ELM STREET
SOUTHBRIDGE, MA 01545
F 508.765.0193
www.bertinengineering.com



CIVIL • SURVEYING • TRAFFIC • STRUCTURAL • ENVIRONMENTAL • MECHANICAL • LANDSCAPE

CALISTO J. BERTIN, P.E.
PROFESSIONAL ENGINEER
CT LIC. NO. 12950 CIVIL LIC. NO. 28845
MA LIC. NO. 40395 MECHANICAL LIC. NO. 60022
NH LIC. NO. 68896 PLUMBING LIC. NO. 6694

BRUCE A. FITZBACK, P.L.S.
PROFESSIONAL LAND SURVEYOR
MA LIC. NO. 37731
CT LIC. NO. 16970

NO.	DATE	REVISION

DRAWING TITLE
ROADWAY DRAINAGE & EROSION CONTROL PLAN

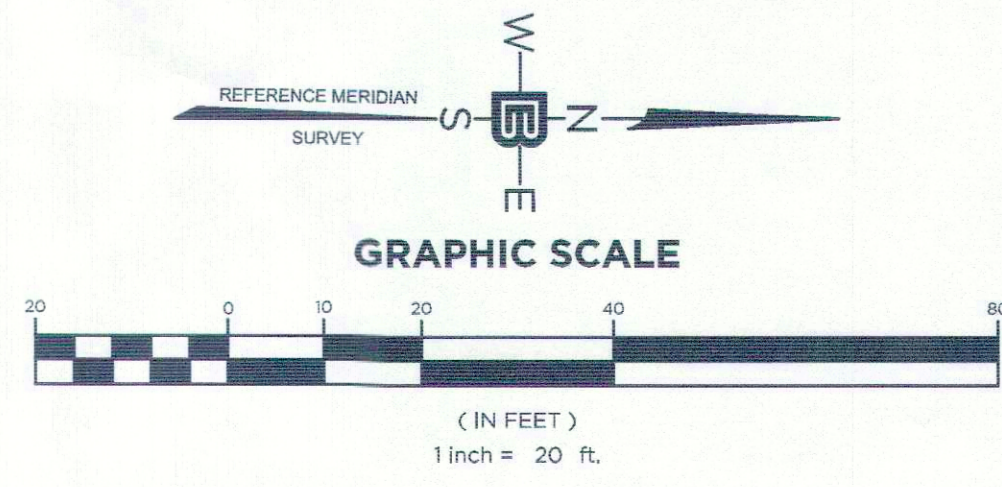
PROJECT
ALUM LAKE SEDIMENT CONTROL

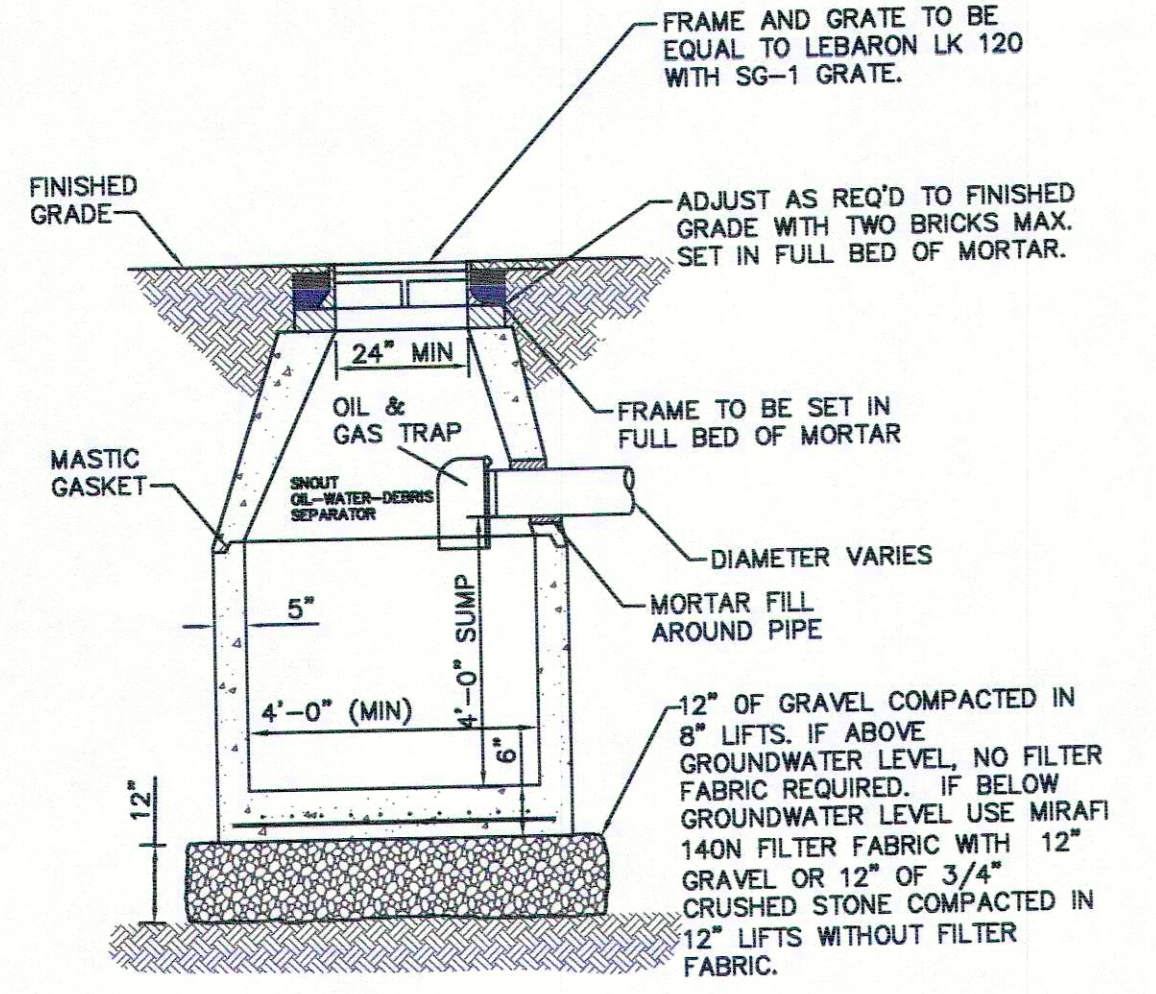
BIG ALUM LAKE ASSOC.
148 LAKE ROAD
STURBRIDGE, MA

CLIENT
THOMAS CLARK
148 LAKE ROAD
STURBRIDGE, MA 01518

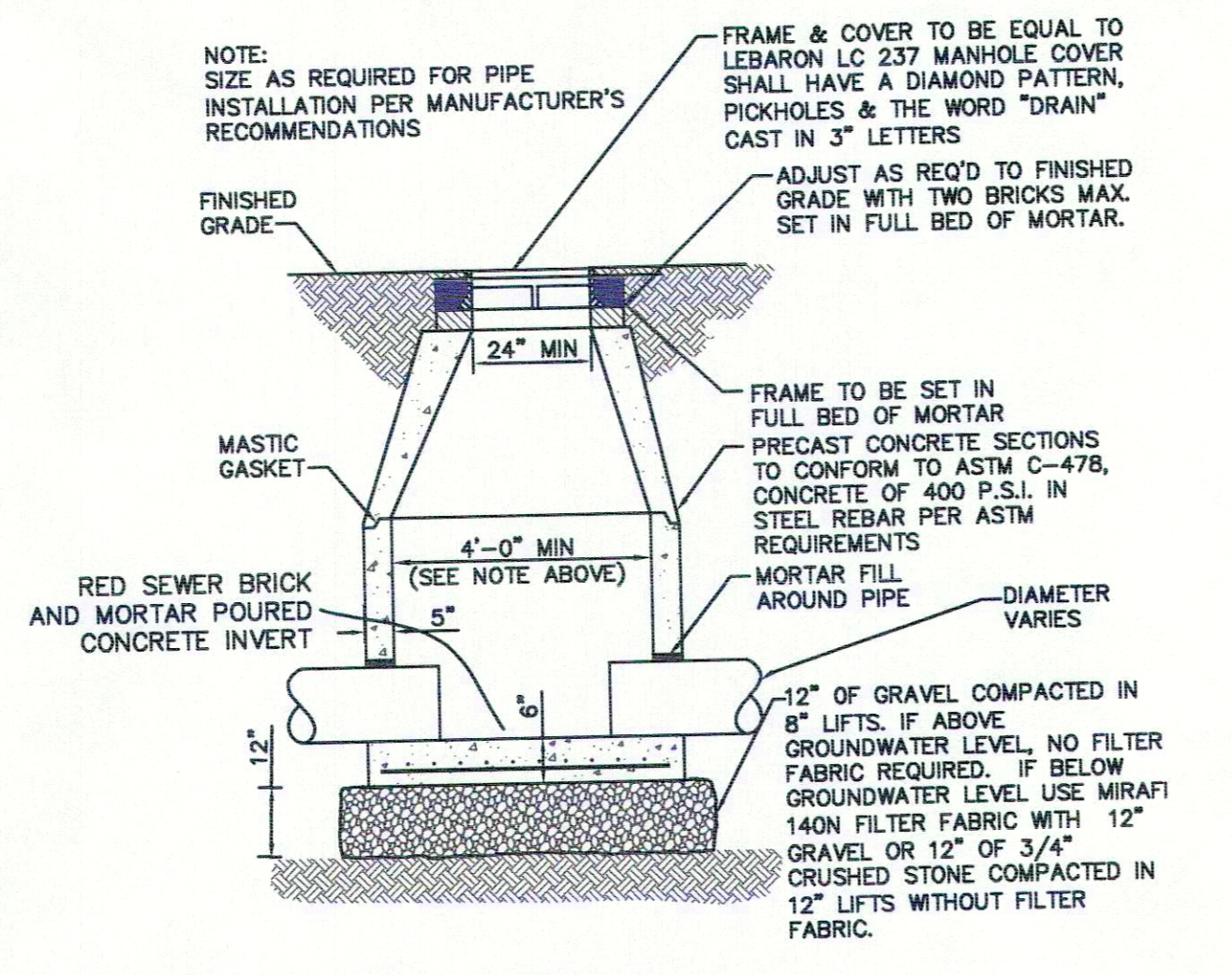
CERTIFICATE OF AUTHORIZATION
24G-A28068900 / 21MH00002800
DRAWN BY J.A.S. CHECKED BY C.J.B.
SCALE 1" = 20' PROJECT NO. 19M-188
DATE 03-24-20 REVISION NO. 0

DRAWING NO. **EC-1**

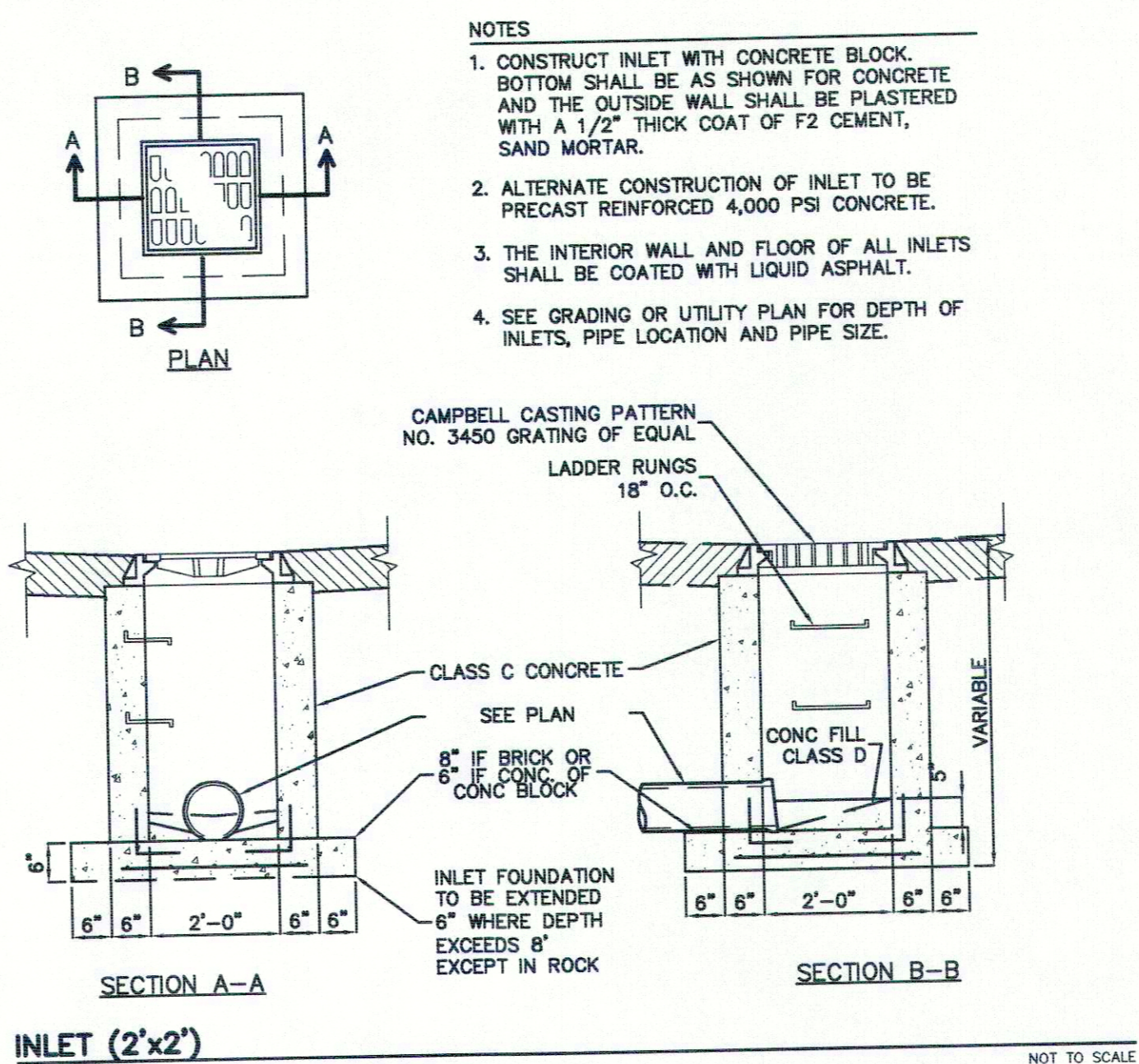




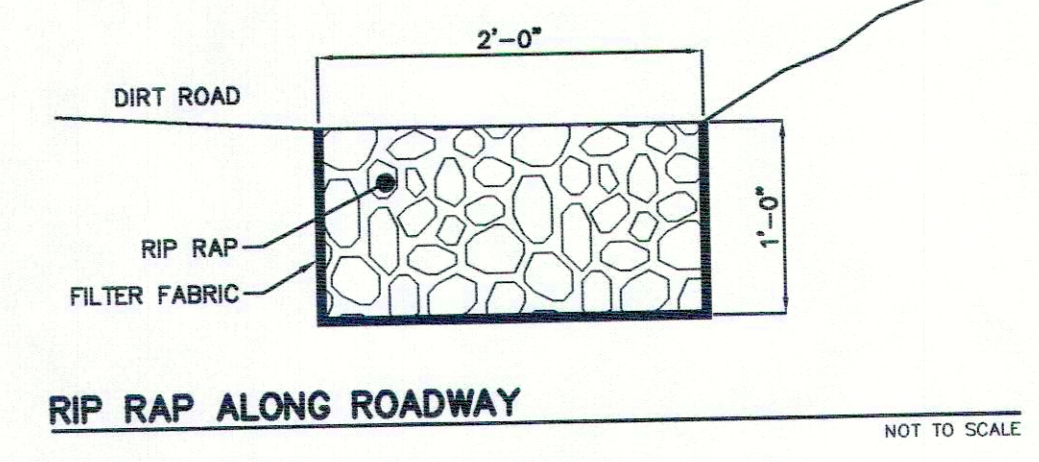
DEEP SUMP CATCH BASIN DETAIL NOT TO SCALE



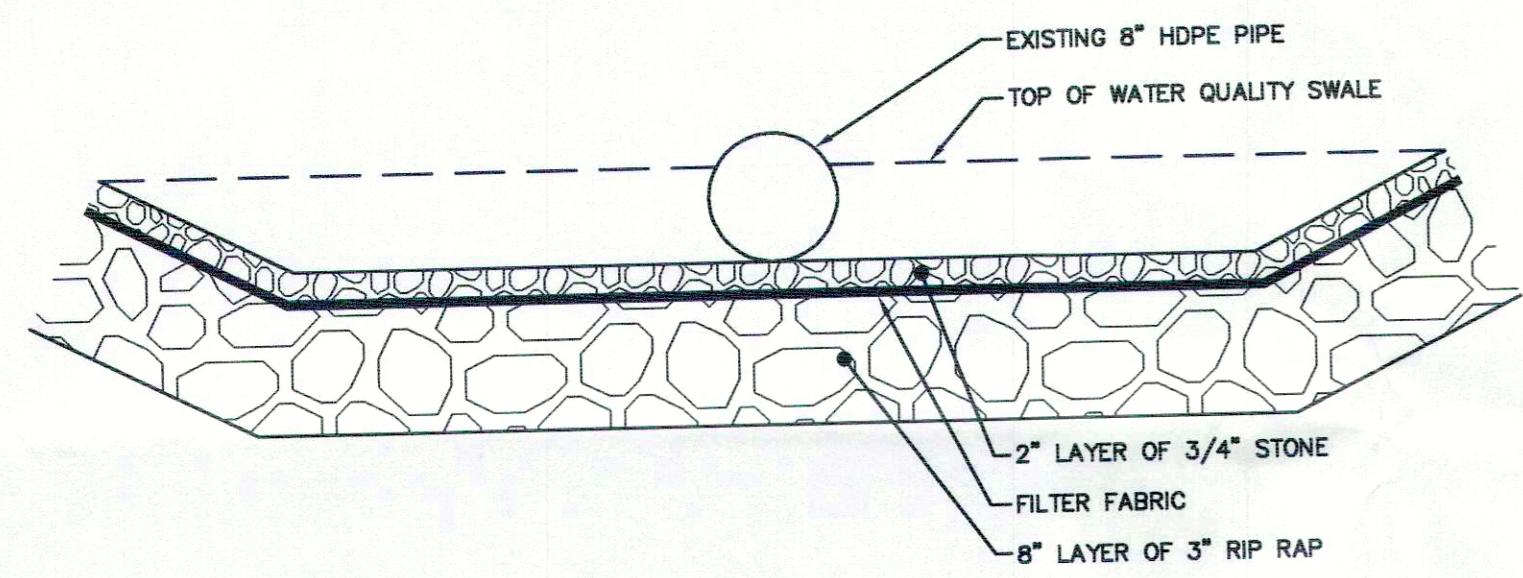
STANDARD DRAIN MANHOLE DETAIL NOT TO SCALE



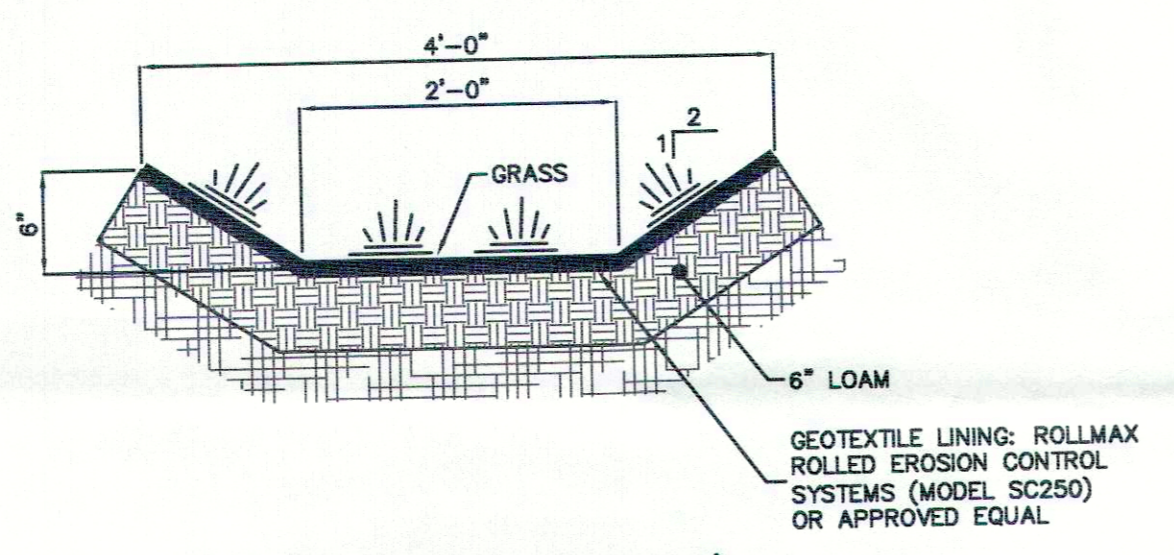
INLET (2'x2') NOT TO SCALE



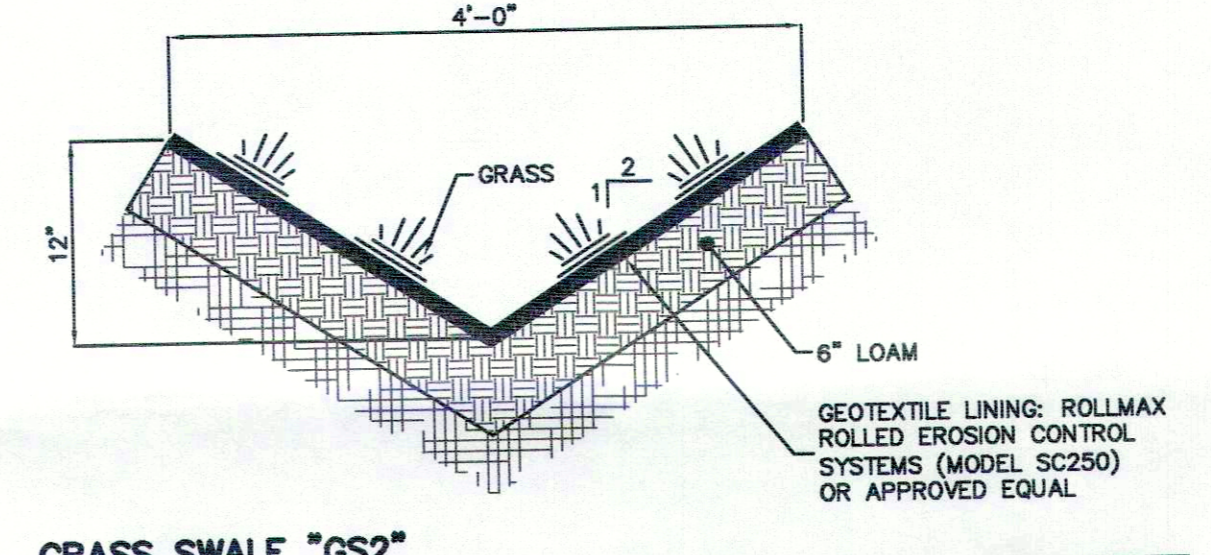
RIP RAP ALONG ROADWAY NOT TO SCALE



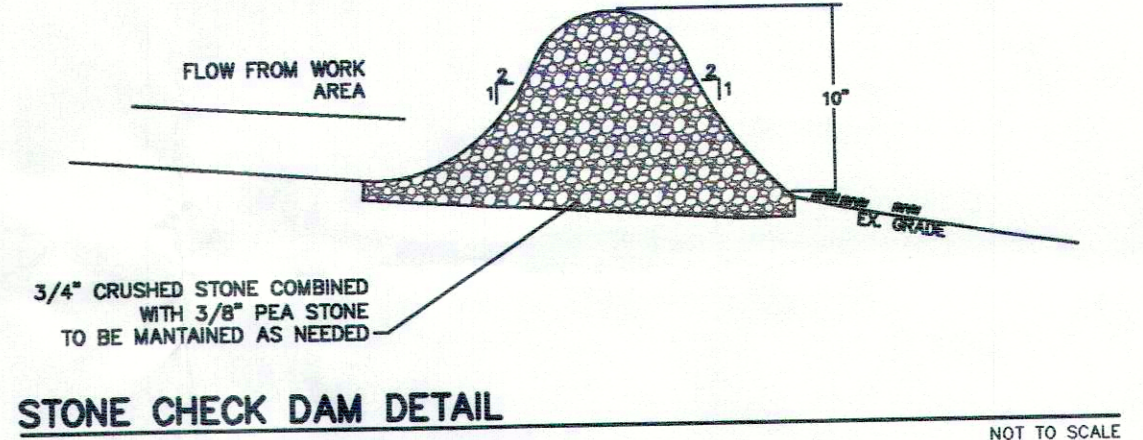
WATER QUALITY SWALE NOT TO SCALE



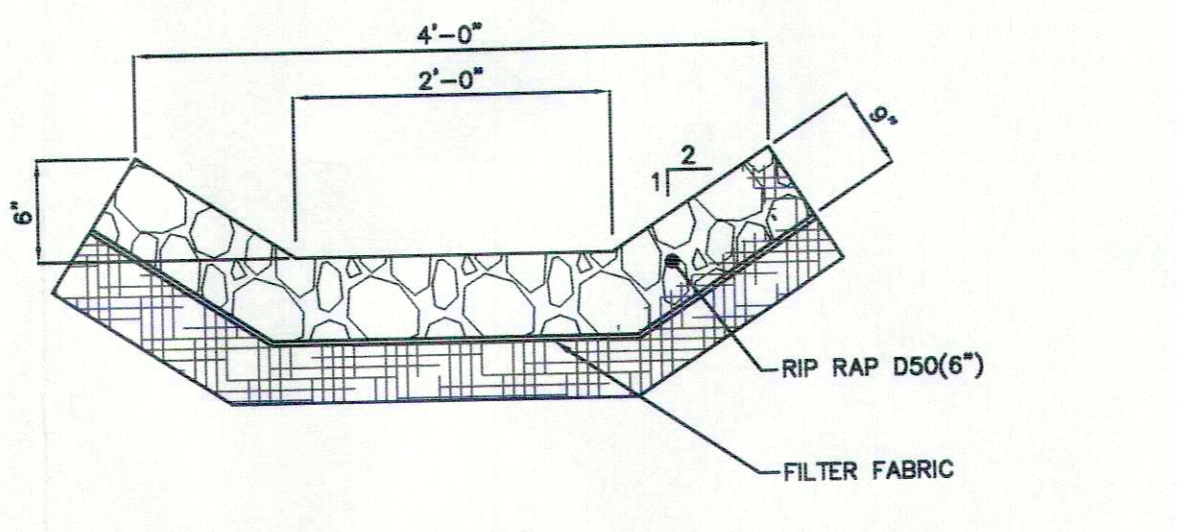
GRASS SWALE "GS1" (ALONG ROADWAY) NOT TO SCALE



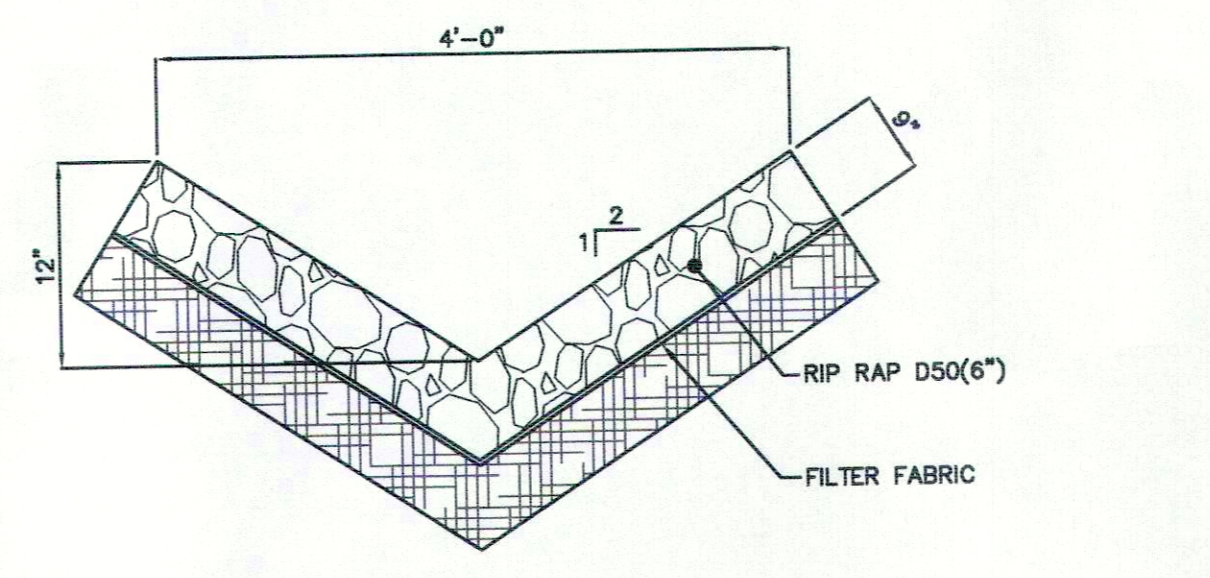
GRASS SWALE "GS2" NOT TO SCALE



STONE CHECK DAM DETAIL NOT TO SCALE



OPTIONAL GRANITE RIP RAP SWALE "O-GS1" (ALONG ROADWAY) NOT TO SCALE



OPTIONAL GRANITE RIP RAP SWALE "O-GS2" NOT TO SCALE

© Bertin Engineering Associates, Inc. 1/18/2018 10:29:56 Job: 19M-186-PL-01.dwg Jun 17, 2020 - 10:21 am rpbaboo

39 ELM STREET
SOUTHBRIDGE, MA 01585
P 508.765.0183
F 508.765.0183
www.bertinengineering.com

BERTIN ENGINEERING

CIVIL • SURVEYING • TRAFFIC • STRUCTURAL • ENVIRONMENTAL • MECHANICAL • LANDSCAPE

CALISTO J. BERTIN, P.E.
PROFESSIONAL ENGINEER
CT LIC. NO. 12950 NH LIC. NO. 28845
MA LIC. NO. 40699 NY LIC. NO. 60022
NH LIC. NO. 9368 RI LIC. NO. 6694

BRUCE A. FITZBACK, P.L.S.
PROFESSIONAL LAND SURVEYOR
MA LIC. NO. 37731
CT LIC. NO. 16970

ROADWAY DRAINAGE & EROSION CONTROL DETAILS

PROJECT
ALUM LAKE SEDIMENT CONTROL

BIG ALUM LAKE ASSOC.
148 LAKE ROAD
STURBRIDGE, MA

CLIENT
THOMAS CLARK
148 LAKE ROAD
STURBRIDGE, MA 01518

CERTIFICATE OF AUTHORIZATION
24GA28068900 / 21MH00002800

DRAWN BY J.A.S.	CHECKED BY C.J.B.
SCALE 1" = 20'	PROJECT NO. 19M-186
DATE 03-24-20	REVISION NO. 0

DRAWING NO.
EC-2