

**LA QUINTA INN & SUITES / STURBRIDGE, MA**  
**PROPOSED LQUP IMPLEMENTATION**  
 (PREDESIGN SUBMITTAL)



ARCHITECTURAL  
CLADDING PANEL:



RSC DESIGNED BY:



PROJECT:



SEAL :

INSTALLER :

REVISIONS :

NO	DATE	REVISION	BY
01	02/01/2024	RENDERS ADDED	TO

DRAWING TITLE:

DRAWN BY : TALHA ORUC	CHECKED BY : BAHAR YUCEL
SCALE :	DATE : 02/01/2024

SHEET NAME:

COVER PAGE  
(PDS)

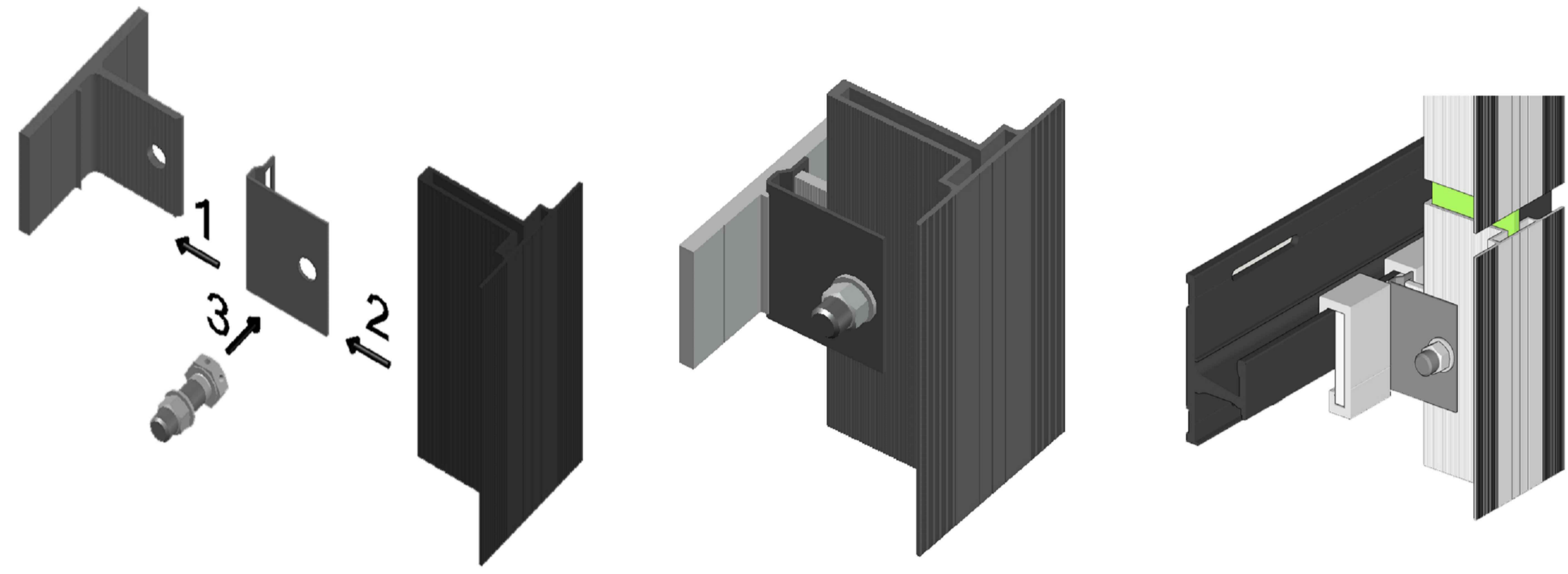
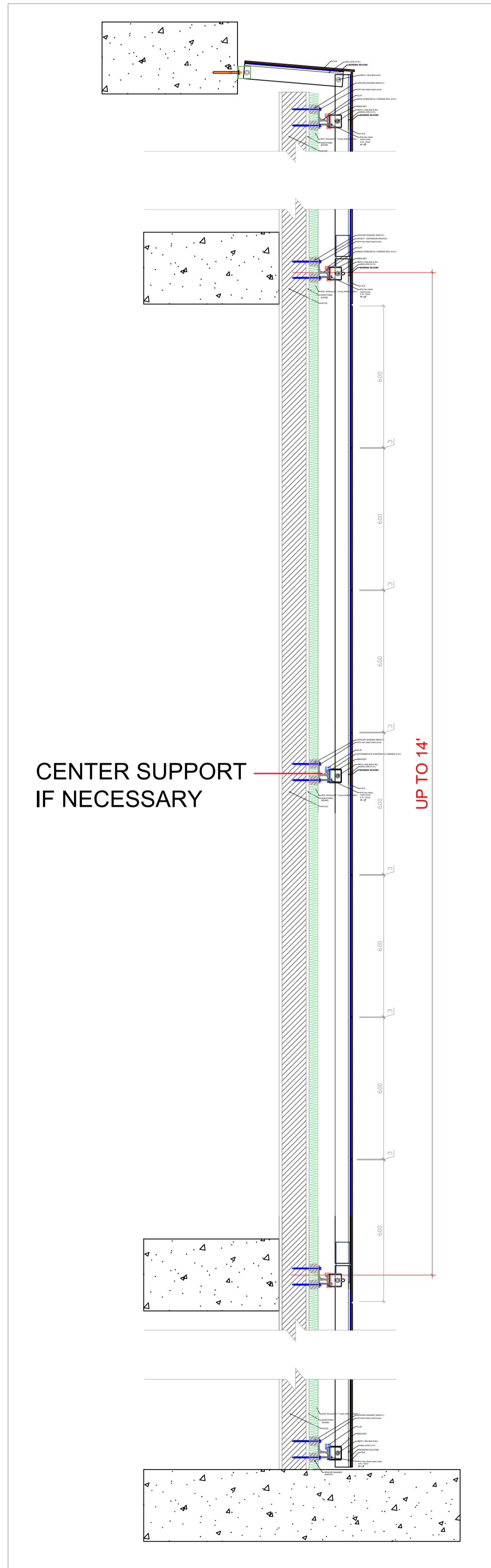
SHEET NUMBER:

0.0

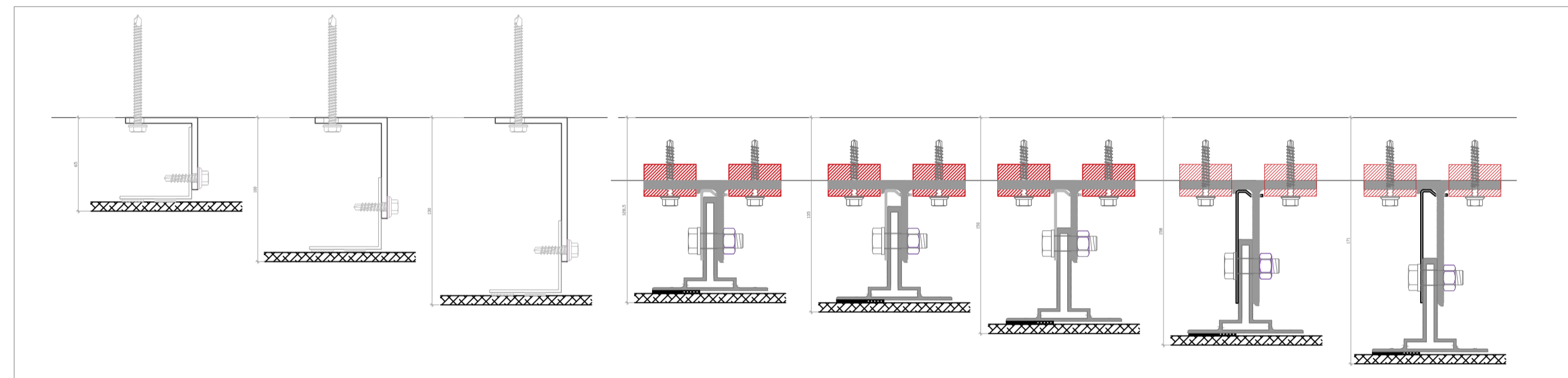
CONFIRMED / DATE:

\_\_\_\_\_

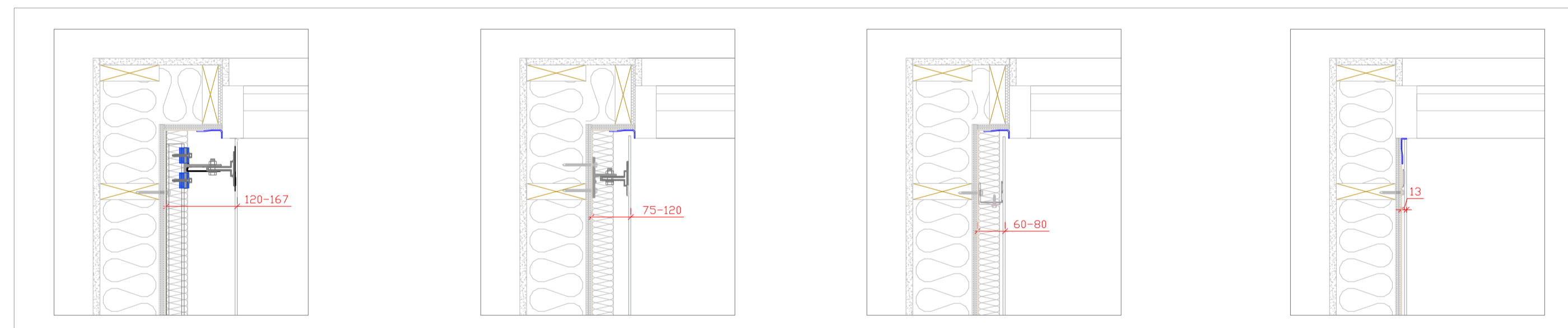
# S'THETICS S'YSTEM #2 DETAILS



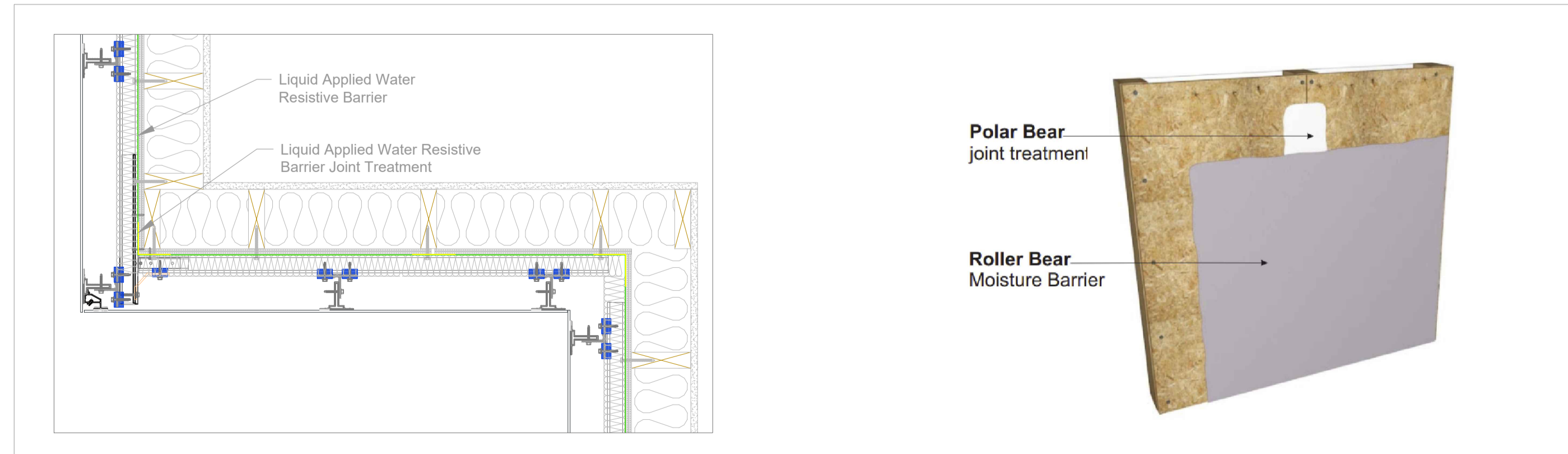
TYPICAL BRACKET AND MULLION INSTALLATION



SYSTEM PROJECTIONS IS VARIABLE BETWEEN 2'- 9/16" - 9'-15/16"

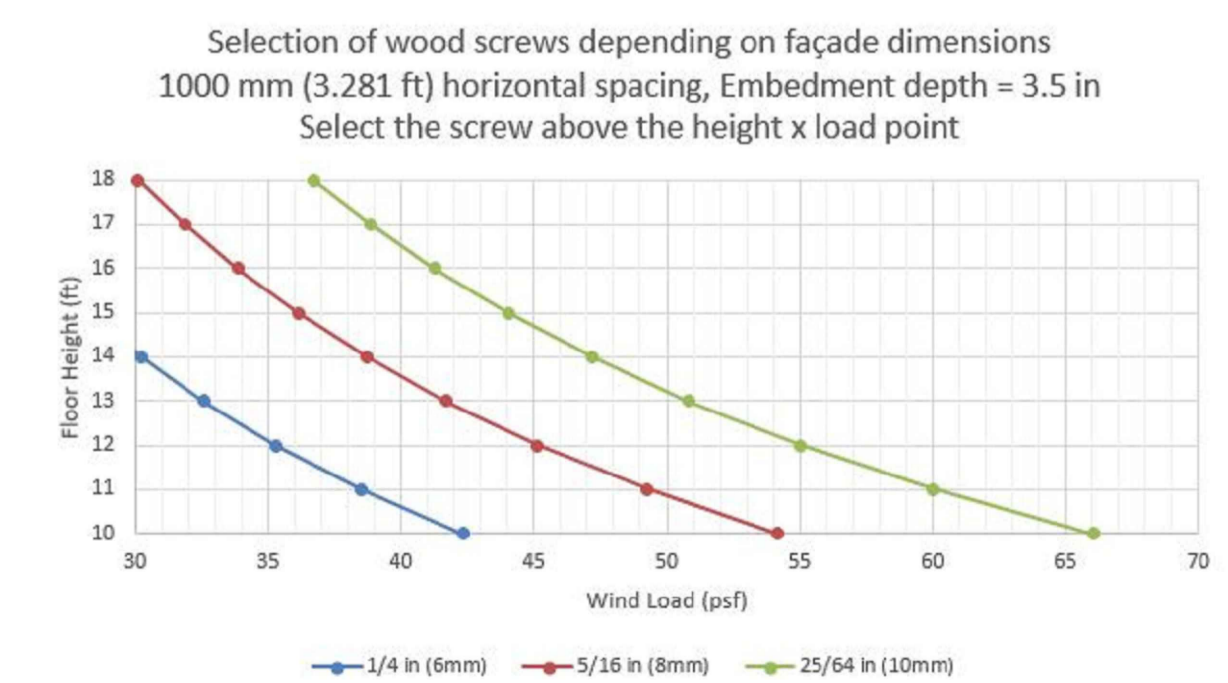
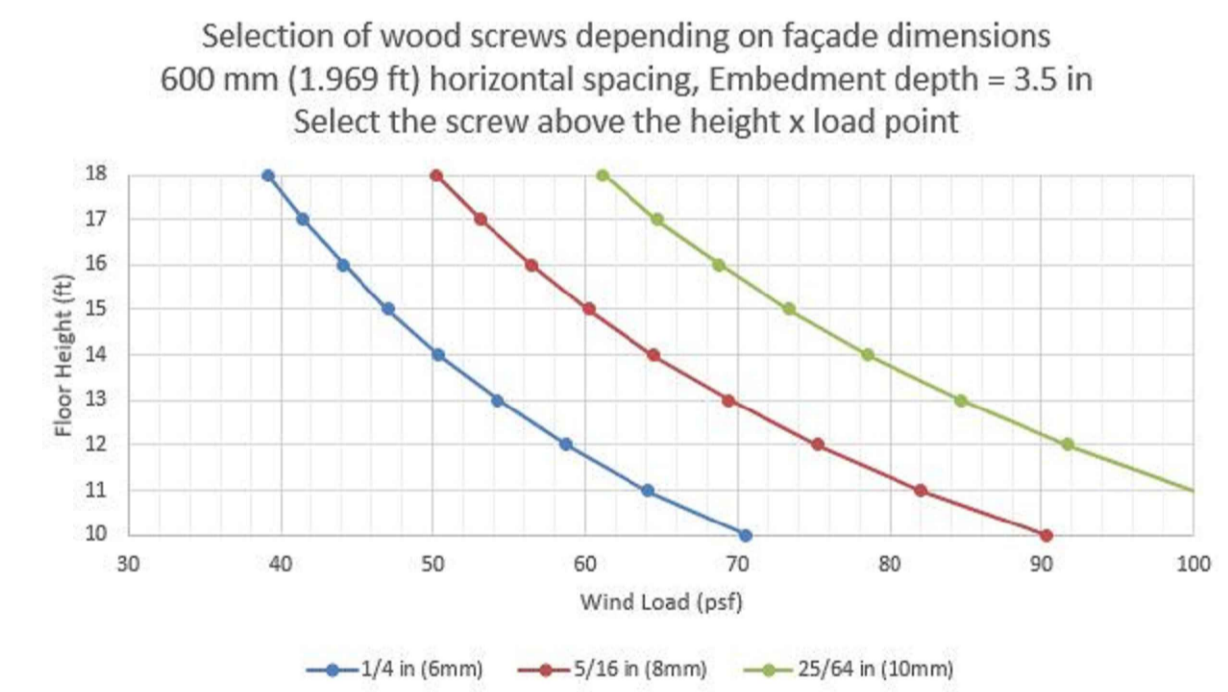
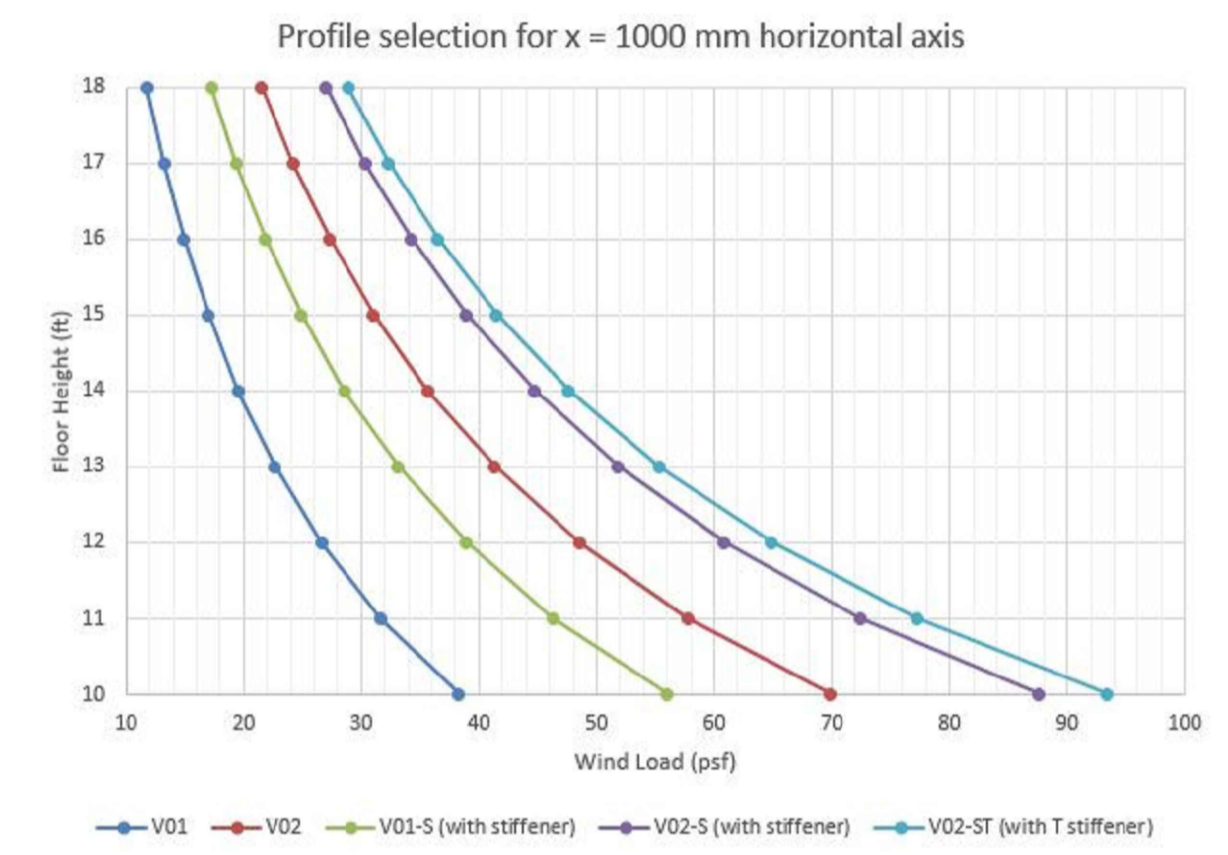
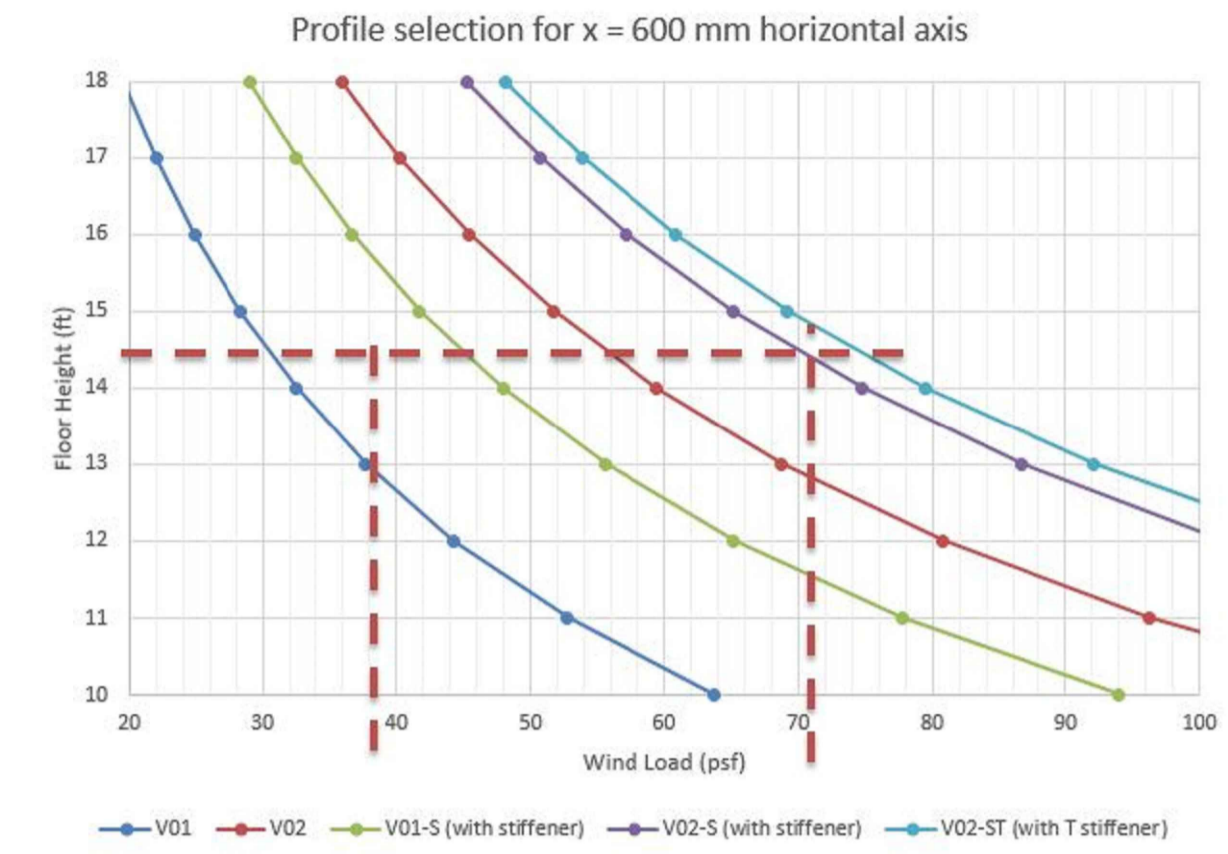


TYPICAL WINDOW RETURN DETAILS



TYPICAL WATERPROOFING AND MEMBRANE APPLICATION DETAILS

600 MM - 24" HORIZONTAL AXIS, 2 CONNECTIONS AT EVERY FLOOR HEIGHT (ON MIDSPAN)



ARCHITECTURAL CLADDING PANEL:



RSC DESIGNED BY:



S'thetics Building Systems Inc.

#2 6201 Highway 7  
Woodbridge ON  
L4H 0K7 CA

PROJECT:



LQUP @ La Quinta Inn Sturbridge

478 Main St,  
Sturbridge, MA 01518

SEAL :

INSTALLER :

REVISIONS :

NO	DATE	REVISION	BY
01	02/01/2024	RENDERS ADDED	TO

DRAWING TITLE:

DRAWN BY : TALHA ORUC	CHECKED BY : BAHAR YUCEL
SCALE :	DATE : 02/01/2024

SHEET NAME:

S'THETICS S'YSTEM #2  
DETAILS  
(PDS)

SHEET NUMBER:

1.0



1 WEST ELEVATION  
2.0



2 SOUTH ELEVATION  
2.0

ARCHITECTURAL  
CLADDING PANEL:



RSC DESIGNED BY:



#2 6201 Highway 7  
Woodbridge ON  
L4H 0K7 CA

PROJECT:



LQUP @ La Quinta Inn Sturbridge  
478 Main St,  
Sturbridge, MA 01518

SEAL :

INSTALLER :

REVISIONS :

NO	DATE	REVISION	BY
01	02/01/2024	RENDERS ADDED	TO

DRAWING TITLE:

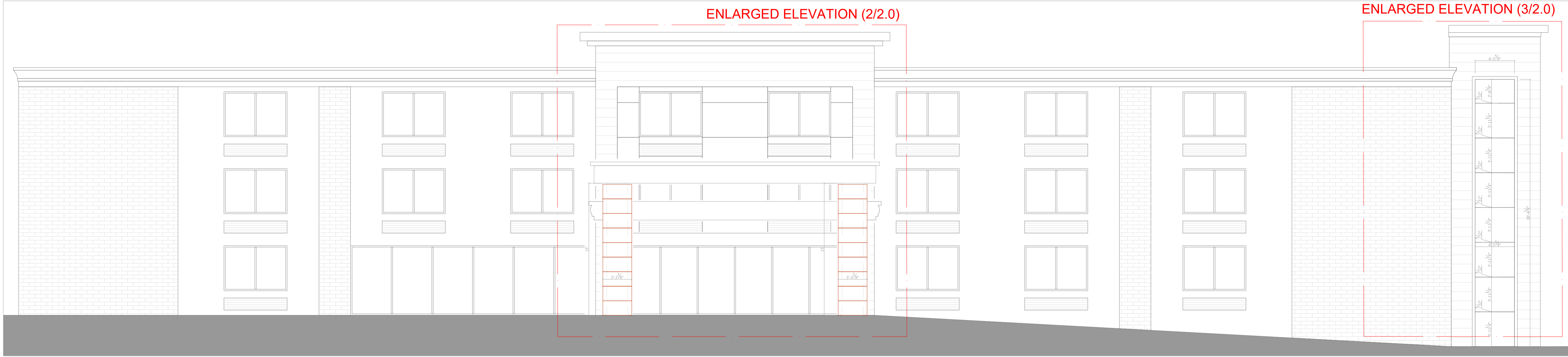
DRAWN BY : TALHA ORUC	CHECKED BY : BAHAR YUCEL
SCALE :	DATE : 02/01/2024

SHEET NAME:

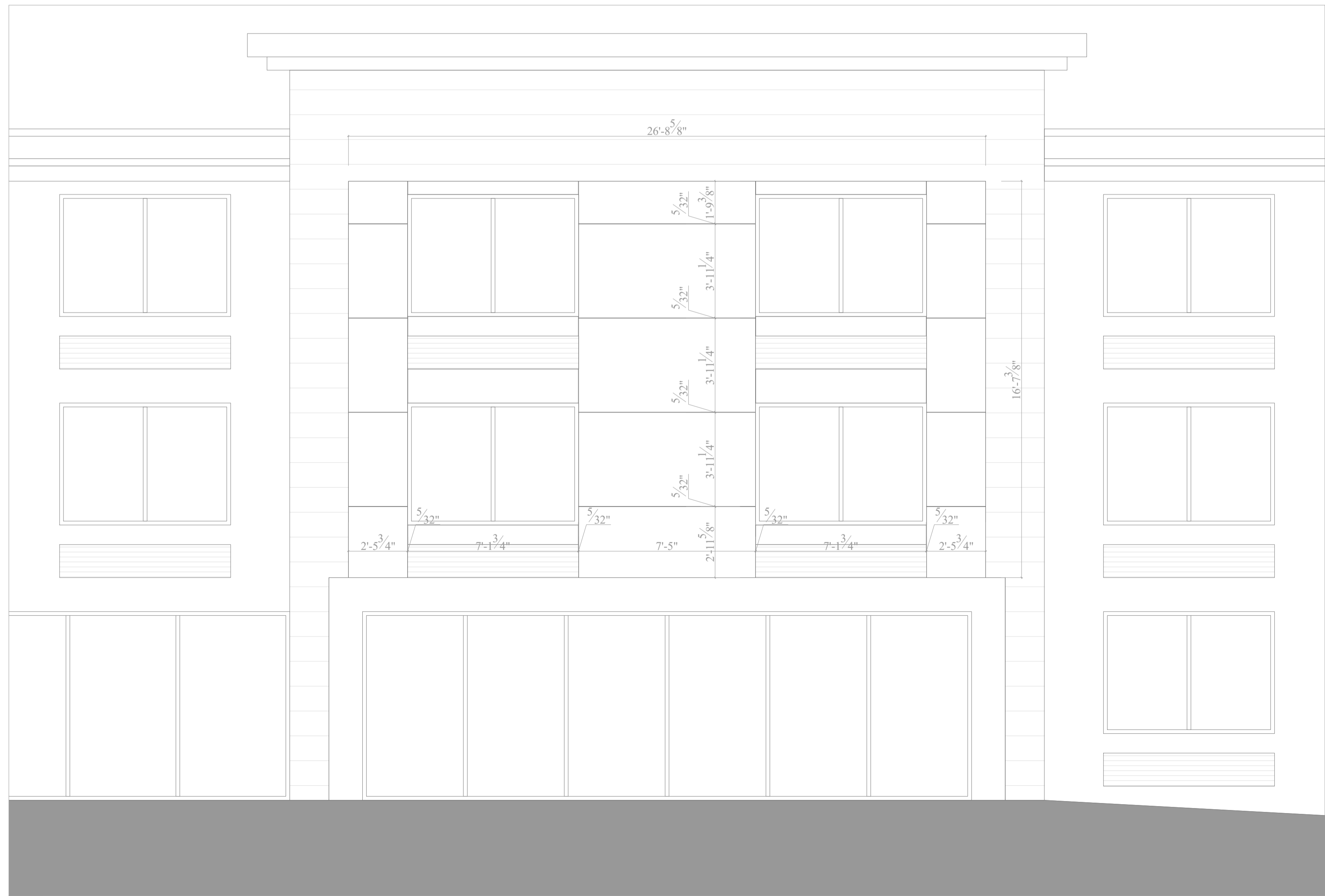
EXISTING ELEVATIONS  
(PDS)

SHEET NUMBER:

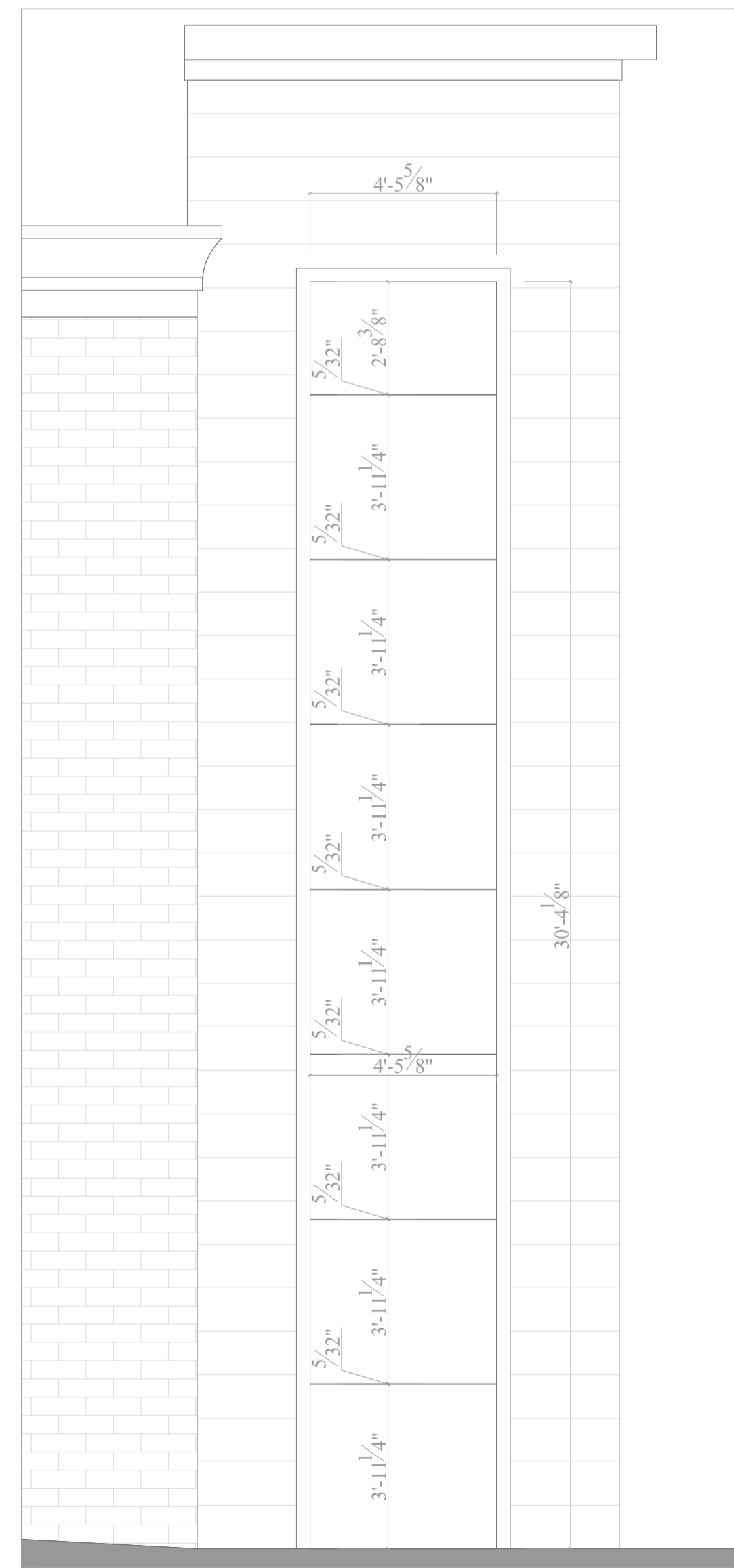
2.0



1 WEST ELEVATION  
3.0



2 ENLARGED ELEVATION  
3.0



3 ENLARGED ELEVATION  
3.0

ARCHITECTURAL  
CLADDING PANEL:



RSC DESIGNED BY:



S'thetics Building Systems Inc.

#2 6201 Highway 7  
Woodbridge ON  
L4H 0K7 CA

PROJECT:



LQUP @ La Quinta Inn Sturbridge

478 Main St,  
Sturbridge, MA 01518

SEAL :

INSTALLER :

REVISIONS :

NO	DATE	REVISION	BY
01	02/01/2024	RENDERS ADDED	TO

DRAWING TITLE:

DRAWN BY : TALHA ORUC	CHECKED BY : BAHAR YUCEL
SCALE :	DATE : 02/01/2024

SHEET NAME:

PROPOSED ELEVATIONS  
(PDS)

SHEET NUMBER:

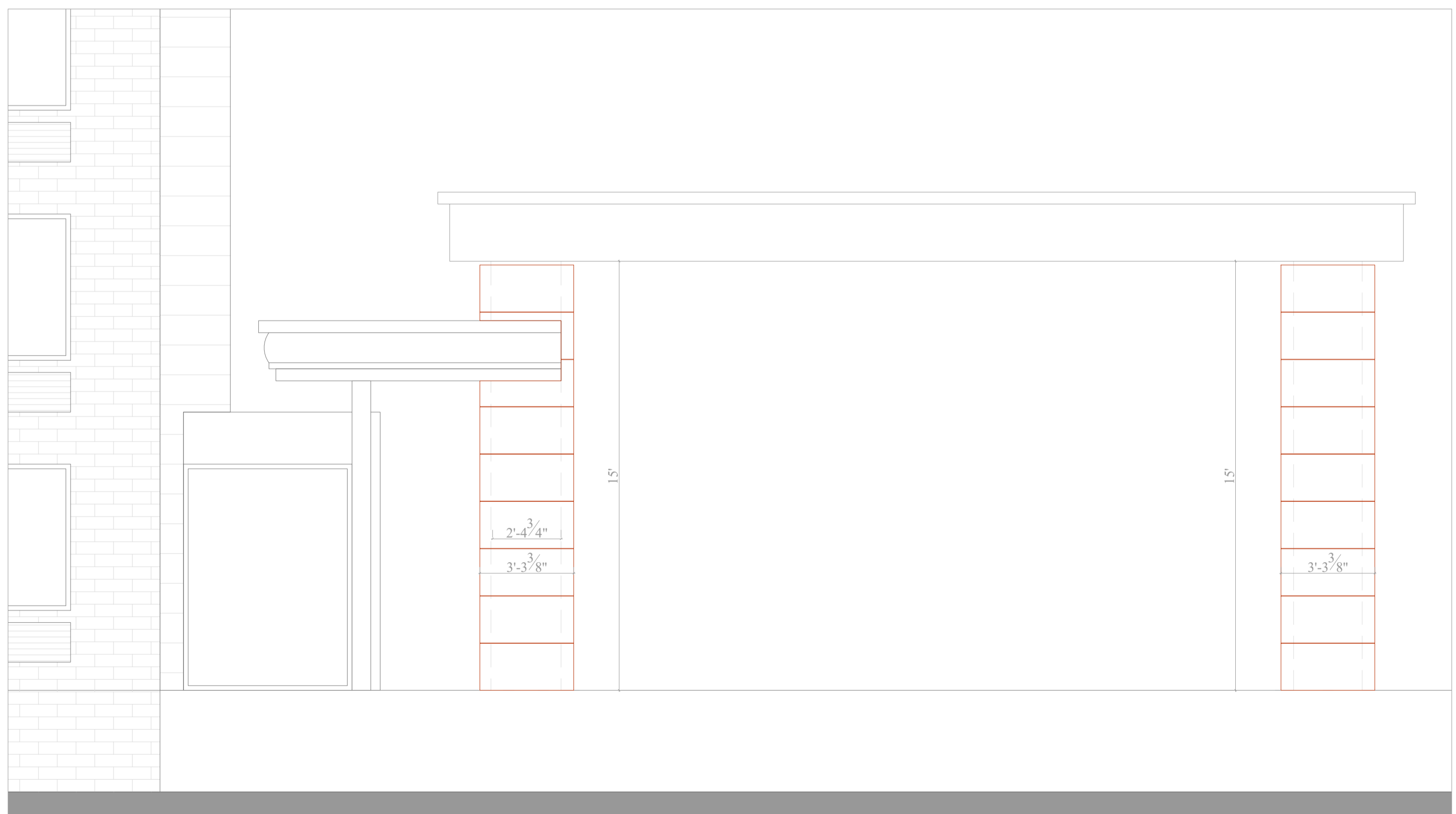
3.0



**4 SOUTH ELEVATION**  
3.1 SCALE: 1/4" = 1'-0"



**5 CANOPY FRONT ELEVATION**  
3.1 SCALE: 5/16" = 1'-0"



**6 CANOPY NORTH ELEVATION**  
3.1 SCALE: 5/16" = 1'-0"

ARCHITECTURAL  
CLADDING PANEL:

# MSI

Making Dream Surfaces Attainable

RSC DESIGNED BY:



## S'thetics

For All Premises

S'thetics Building Systems Inc.  
#2 6201 Highway 7  
Woodbridge ON  
L4H 0K7 CA

PROJECT:



LA QUINTA  
INNS & SUITES

LQUP @ La Quinta Inn Sturbridge  
478 Main St,  
Sturbridge, MA 01518

SEAL :

INSTALLER :

REVISIONS :

NO	DATE	REVISION	BY
01	02/01/2024	RENDERS ADDED	TO

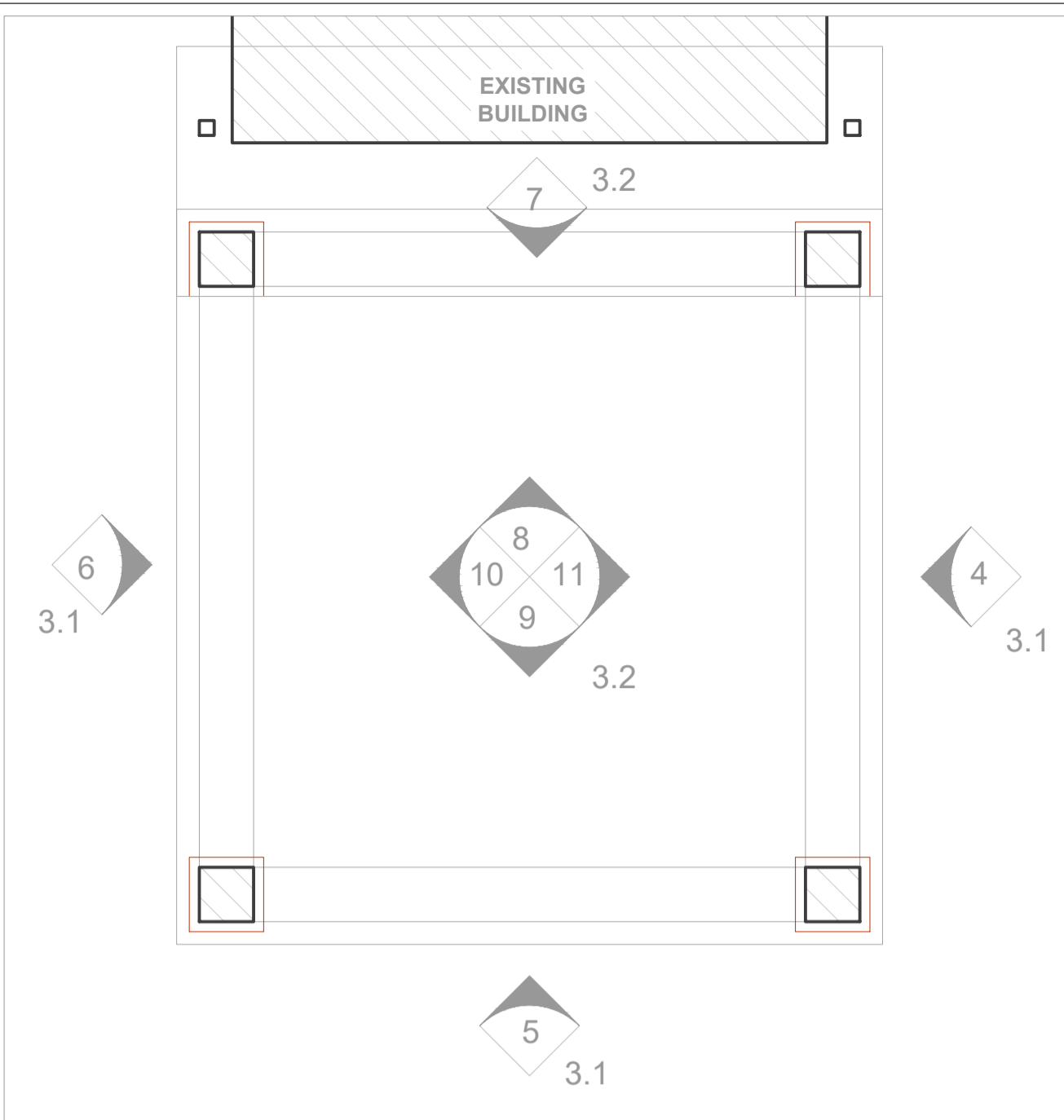
DRAWING TITLE:

DRAWN BY : TALHA ORUC	CHECKED BY : BAHAR YUCEL
SCALE :	DATE : 02/01/2024

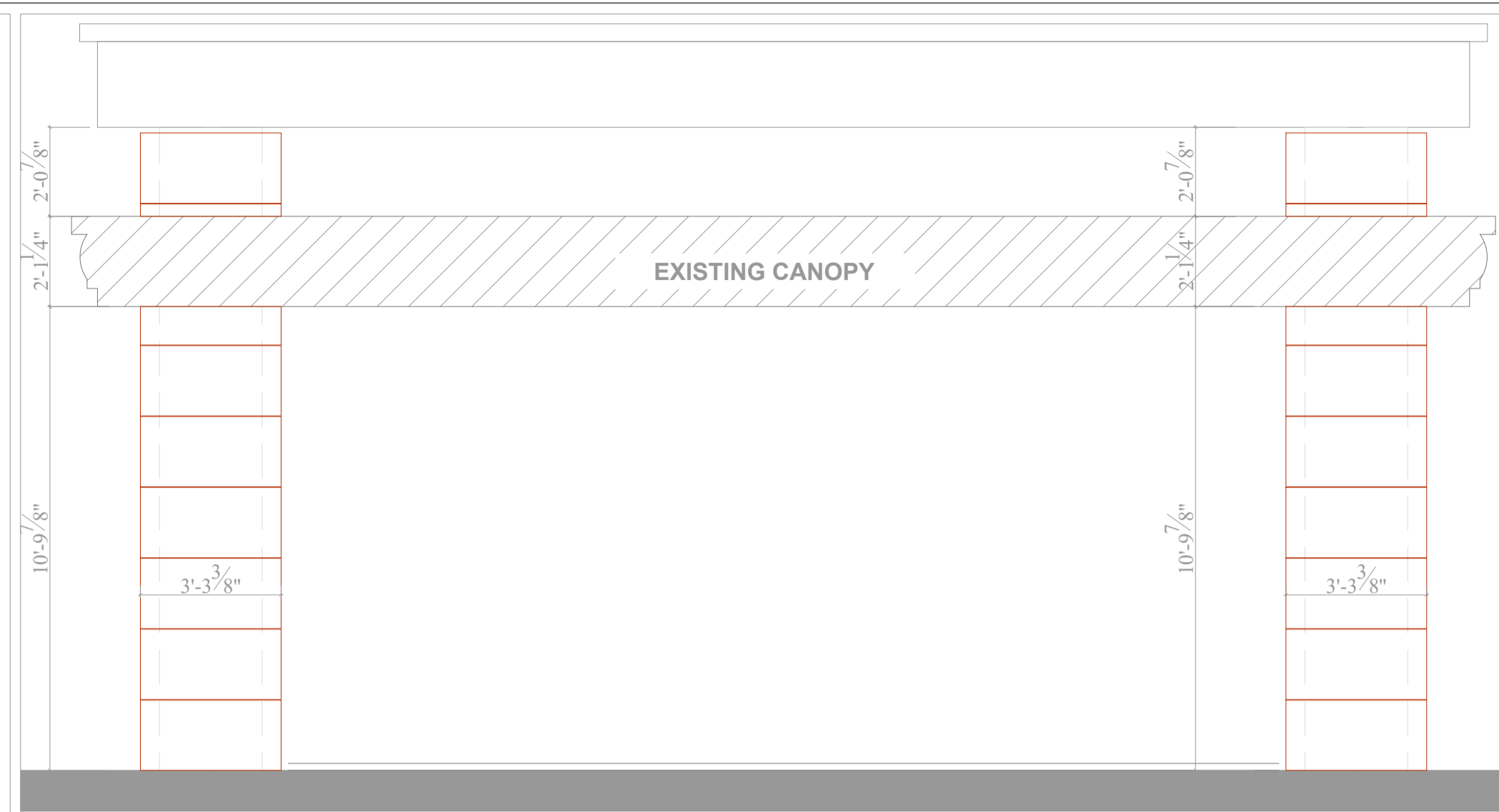
SHEET NAME:  
**PROPOSED ELEVATIONS  
(PDS)**

SHEET NUMBER:  
**3.1**

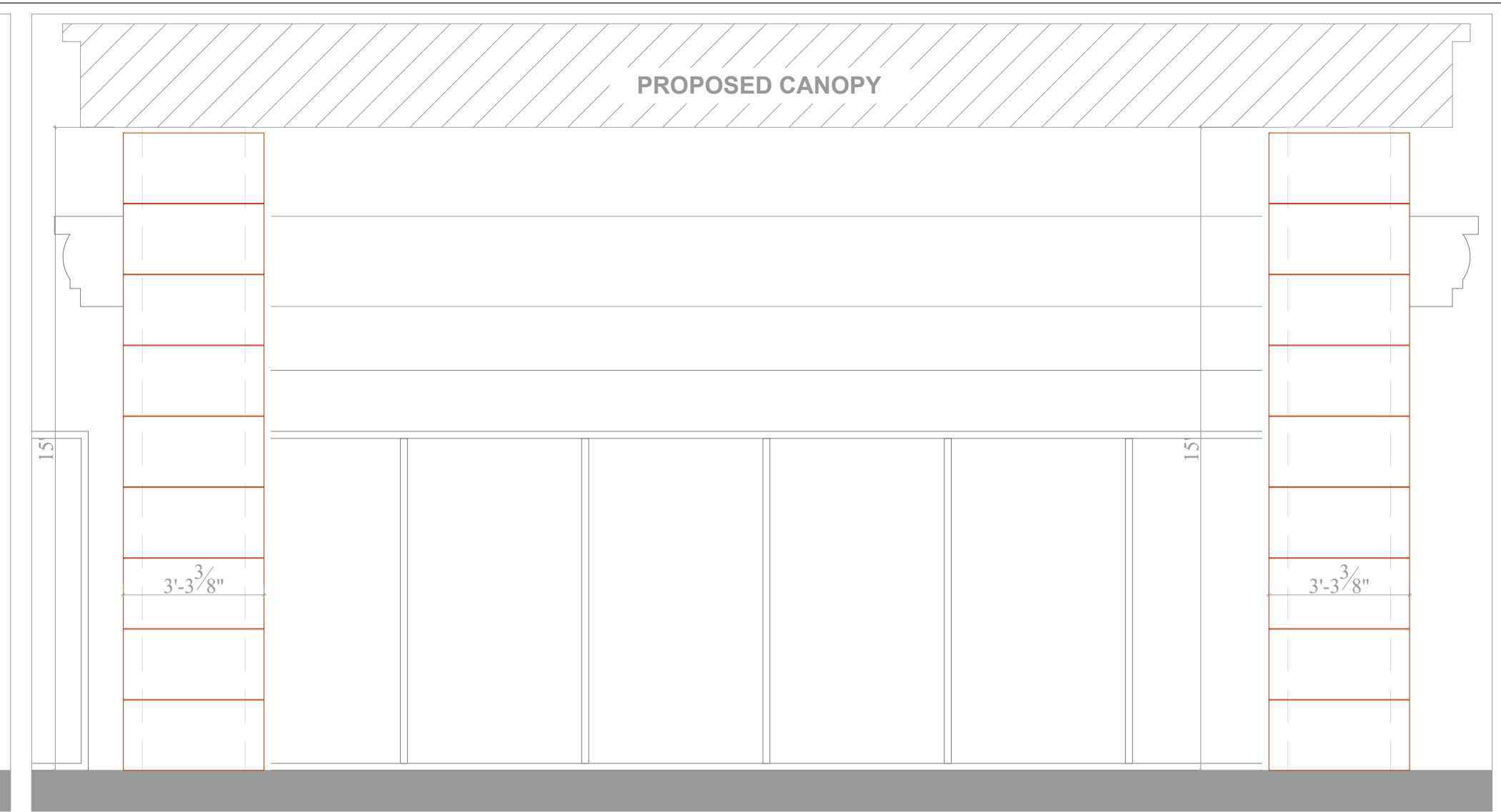
\*LF Porcelain Cladding With S'thetics Cladding System As Per Manufacturers Specifications



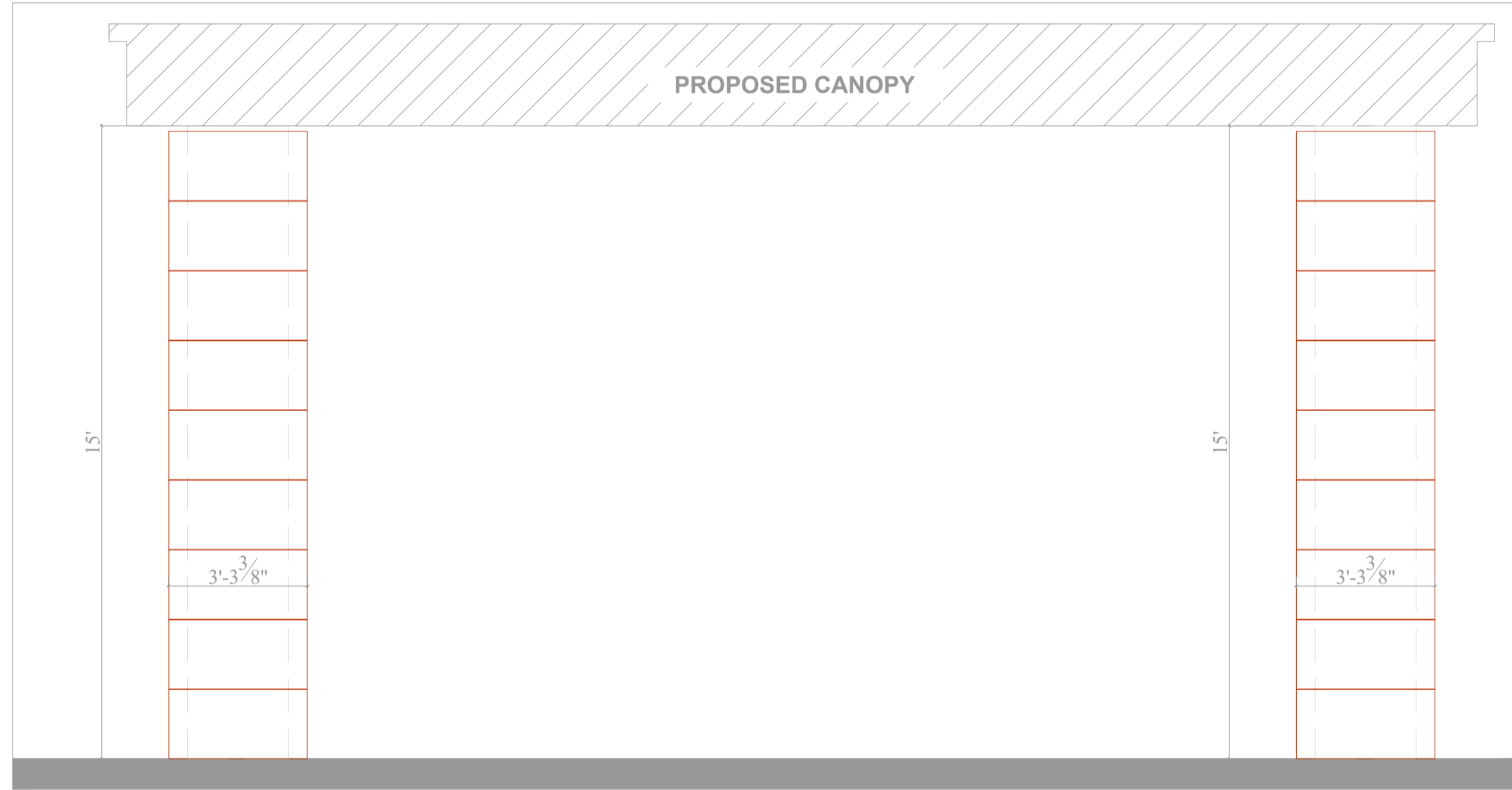
KEY PLAN



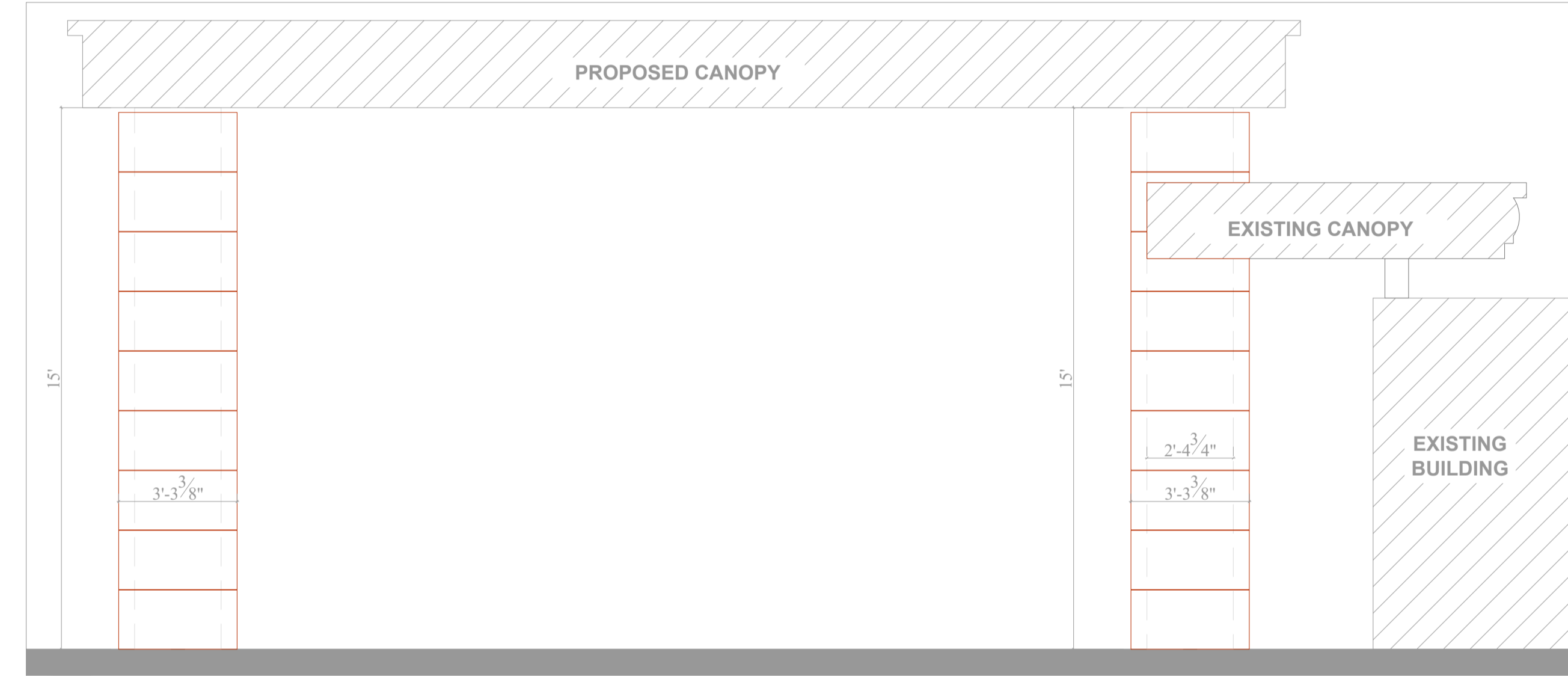
7 ELEVATION  
3.2 SCALE: 5/16" = 1'-0"



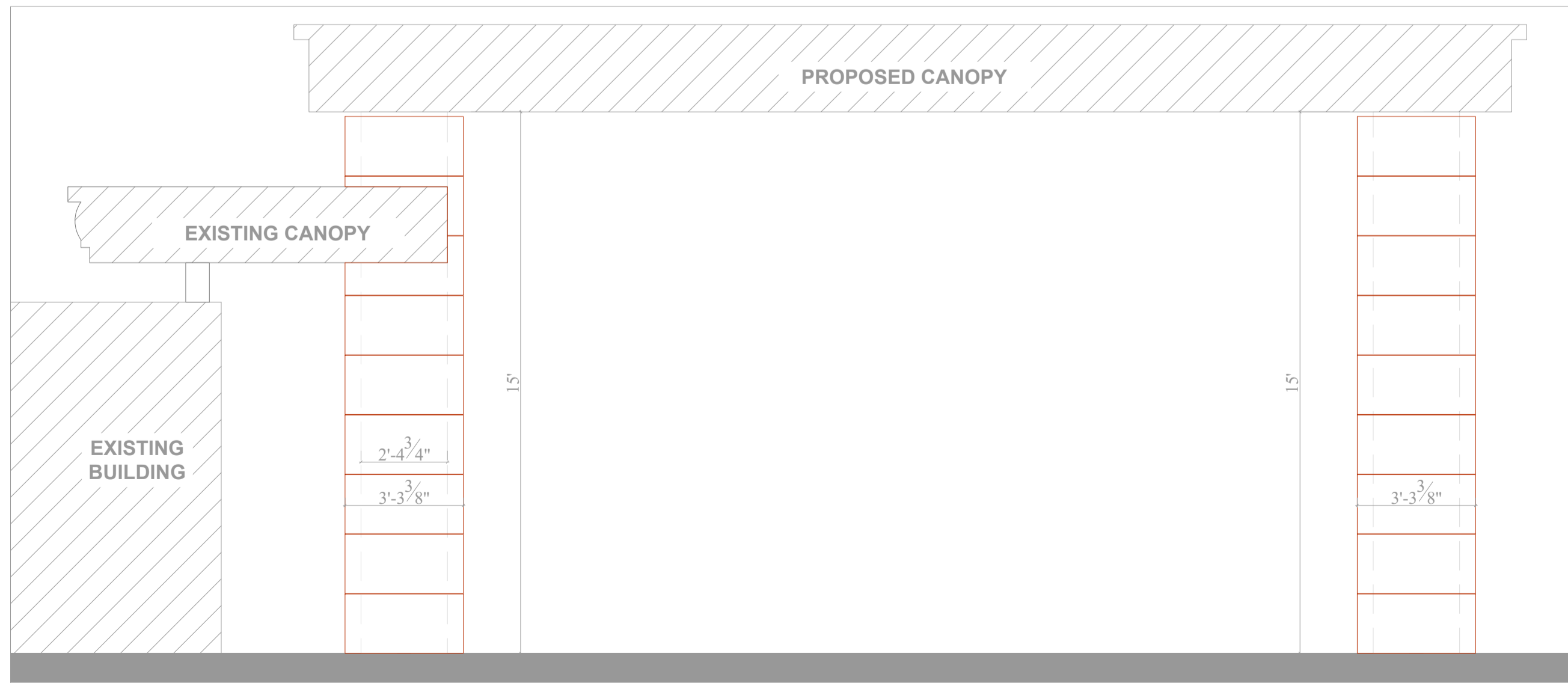
8 ELEVATION  
3.2 SCALE: 5/16" = 1'-0"



9 ELEVATION  
3.2 SCALE: 5/16" = 1'-0"



10 ELEVATION  
3.2 SCALE: 5/16" = 1'-0"



11 ELEVATION  
3.2 SCALE: 5/16" = 1'-0"

ARCHITECTURAL CLADDING PANEL:

# MSI

Making Dream Surfaces Attainable

RSC DESIGNED BY:

**S'thetics**  
For All Premises

S'thetics Building Systems Inc.  
#2 6201 Highway 7  
Woodbridge ON  
L4H 0K7 CA

PROJECT:

LA QUINTA  
INNS & SUITES

LQUP @ La Quinta Inn Sturbridge  
478 Main St,  
Sturbridge, MA 01518

SEAL :

INSTALLER :

REVISIONS :

NO	DATE	REVISION	BY	TO
01	02/01/2024	RENDERS ADDED		

DRAWING TITLE:

DRAWN BY : TALHA ORUC	CHECKED BY : BAHAR YUCEL
SCALE :	DATE : 02/01/2024

SHEET NAME:  
**PROPOSED CANOPY ELEVATIONS (PDS)**

SHEET NUMBER:  
**3.2**

\*LF Porcelain Cladding With S'thetics Cladding System As Per Manufacturers Specifications



12  
3.3 RENDER OF EXISTING



14  
3.3 RENDER OF PROPOSED



13  
3.3 RENDER OF EXISTING



15  
3.3 RENDER OF PROPOSED

ARCHITECTURAL  
CLADDING PANEL:

**MSI**

Making Dream Surfaces Attainable

RSC DESIGNED BY:



**S'thetics**

For All Premises

S'thetics Building Systems Inc.

#2 6201 Highway 7  
Woodbridge ON  
L4H 0K7 CA

PROJECT:



LQUP @ La Quinta Inn Sturbridge

478 Main St,  
Sturbridge, MA 01518

SEAL :

INSTALLER :

REVISIONS :

NO	DATE	REVISION	BY
01	02/01/2024	RENDERS ADDED	TO

DRAWING TITLE:

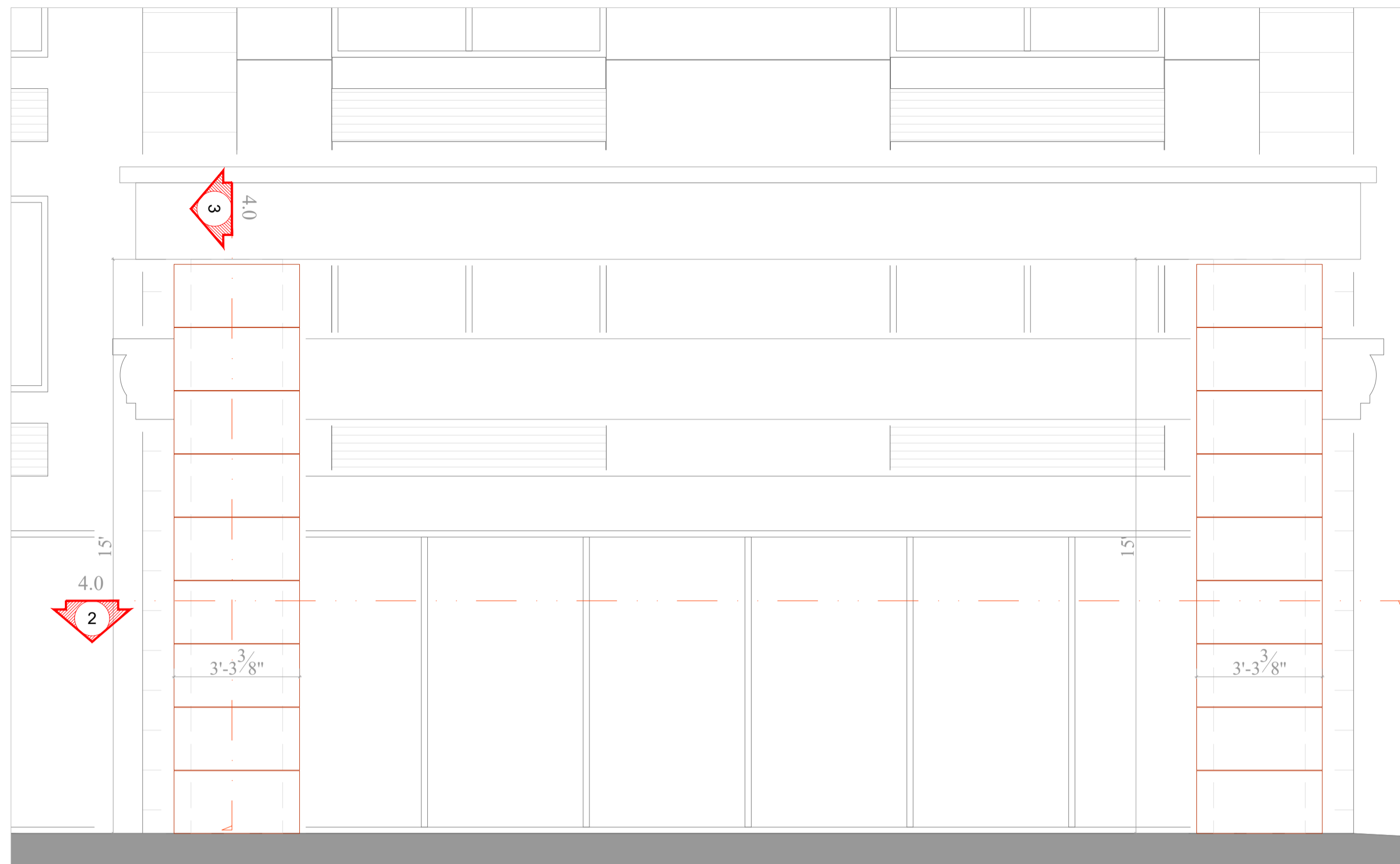
DRAWN BY : TALHA ORUC  
CHECKED BY : BAHAR YUCEL

SCALE :  
DATE : 02/01/2024

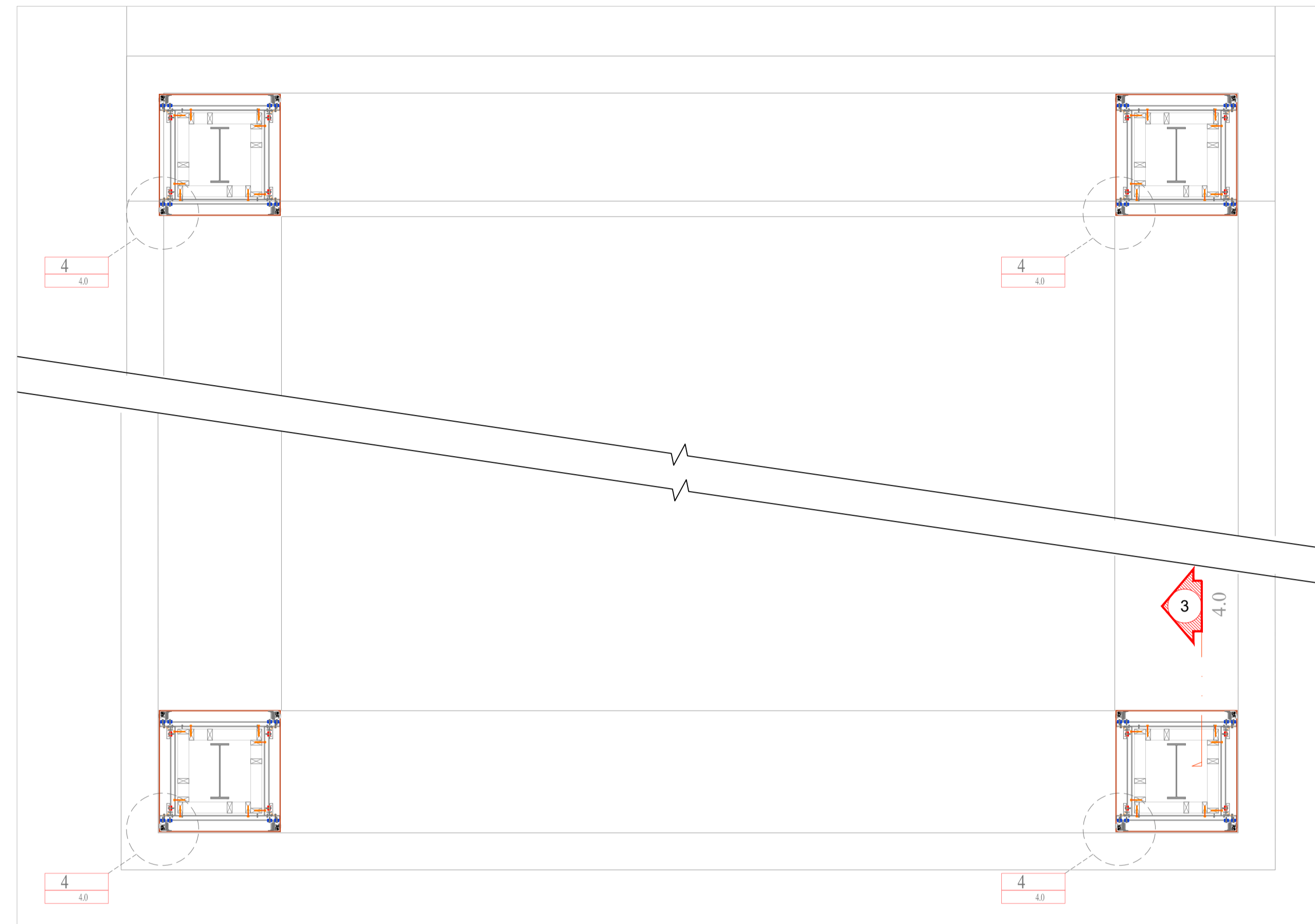
SHEET NAME:  
PROPOSED & EXISTING  
RENDERS  
(PDS)

SHEET NUMBER:

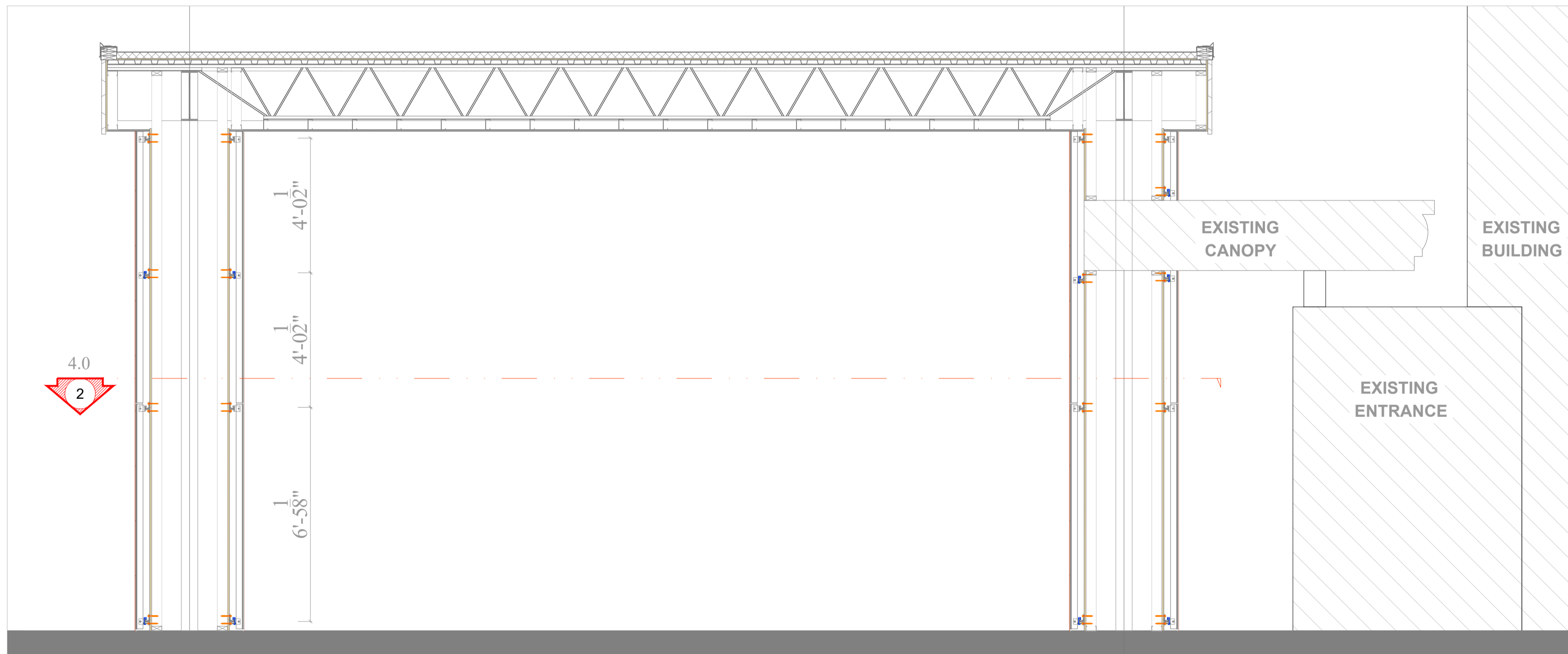
3.3



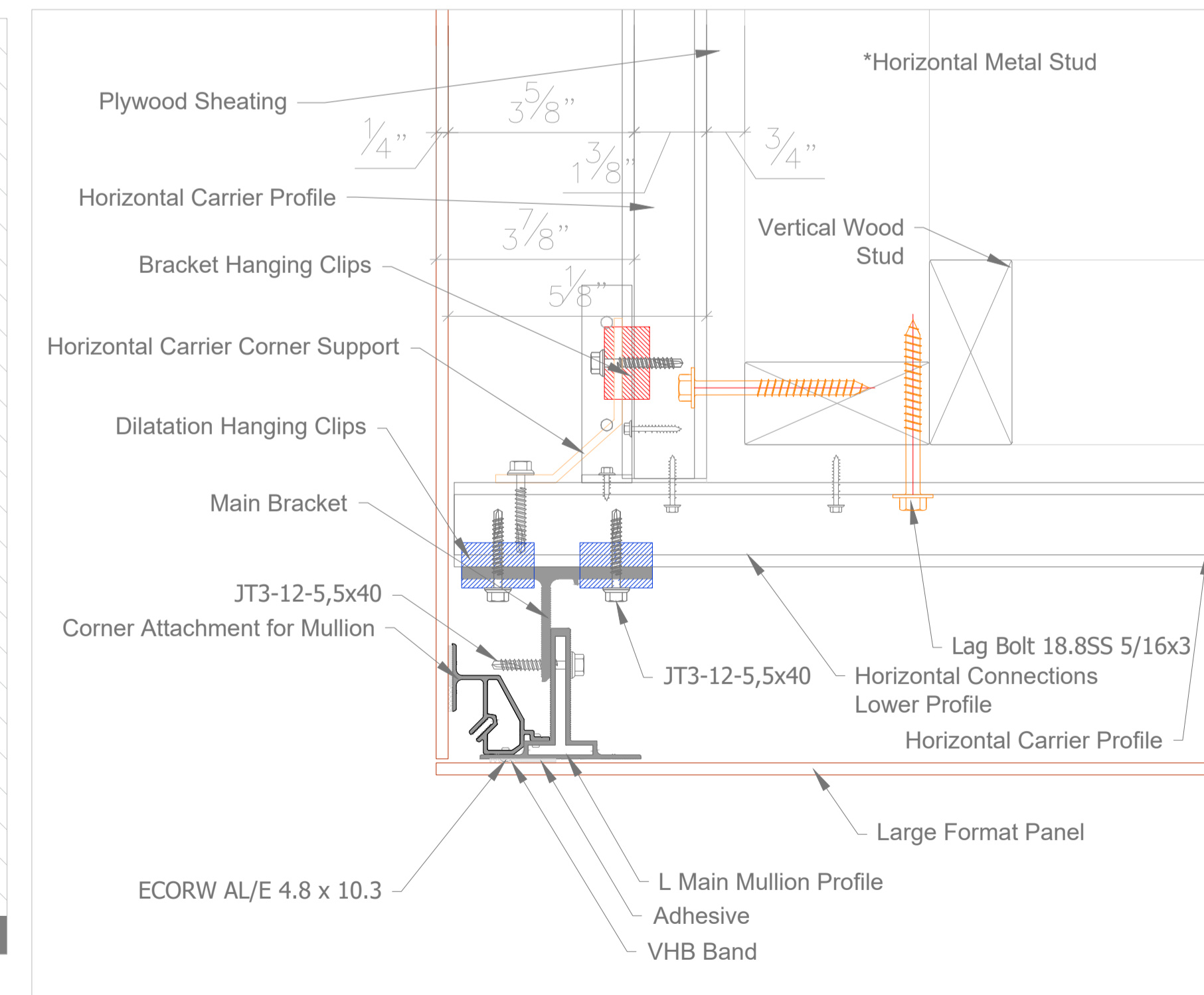
1 CANOPY ELEVATION  
4.0 SCALE: 1/4"=1'-0"



2 CANOPY PLAN  
4.0 SCALE: 3/8"=1'-0"



3 CANOPY PLAN  
4.0 SCALE: 3/8"=1'-0"



4 CANOPY DETAIL  
4.0

ARCHITECTURAL  
CLADDING PANEL:

**MSI**  
Making Dream Surfaces Attainable

RSC DESIGNED BY:

**S'thetics**  
For All Premises

S'thetics Building Systems Inc.

#2 6201 Highway 7  
Woodbridge ON  
L4H 0K7 CA

PROJECT:

**LA QUINTA**  
INNS & SUITES

LQUP @ La Quinta Inn Sturbridge

478 Main St,  
Sturbridge, MA 01518

SEAL :

INSTALLER :

REVISIONS :

NO	DATE	REVISION	BY	TO
01	02/01/2024	RENDERS ADDED		

DRAWING TITLE:

DRAWN BY : TALHA ORUC	CHECKED BY : BAHAR YUCEL
SCALE :	DATE : 02/01/2024

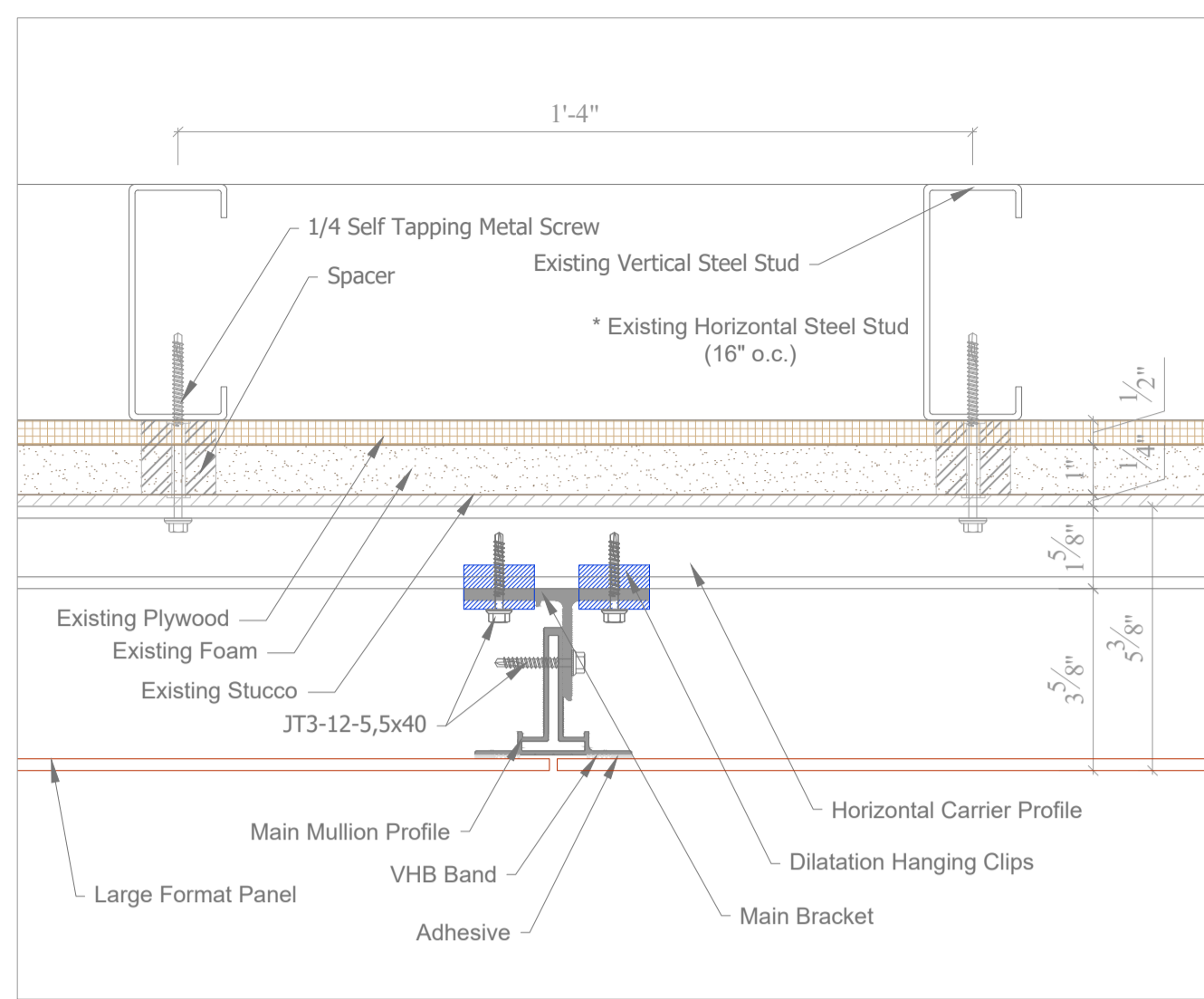
SHEET NAME:

**CANOPY DETAILS**  
(PDS)

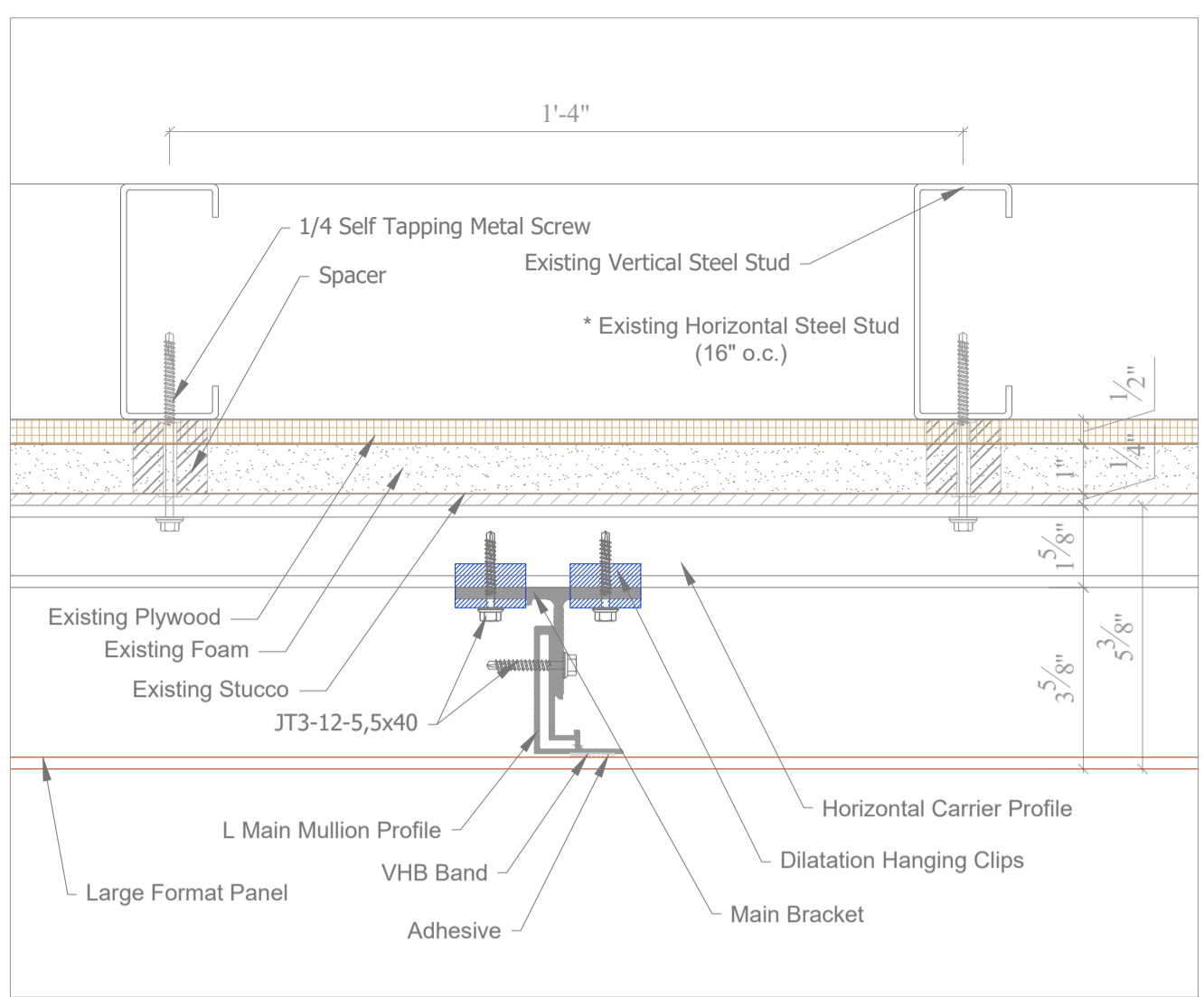
SHEET NUMBER:

4.0

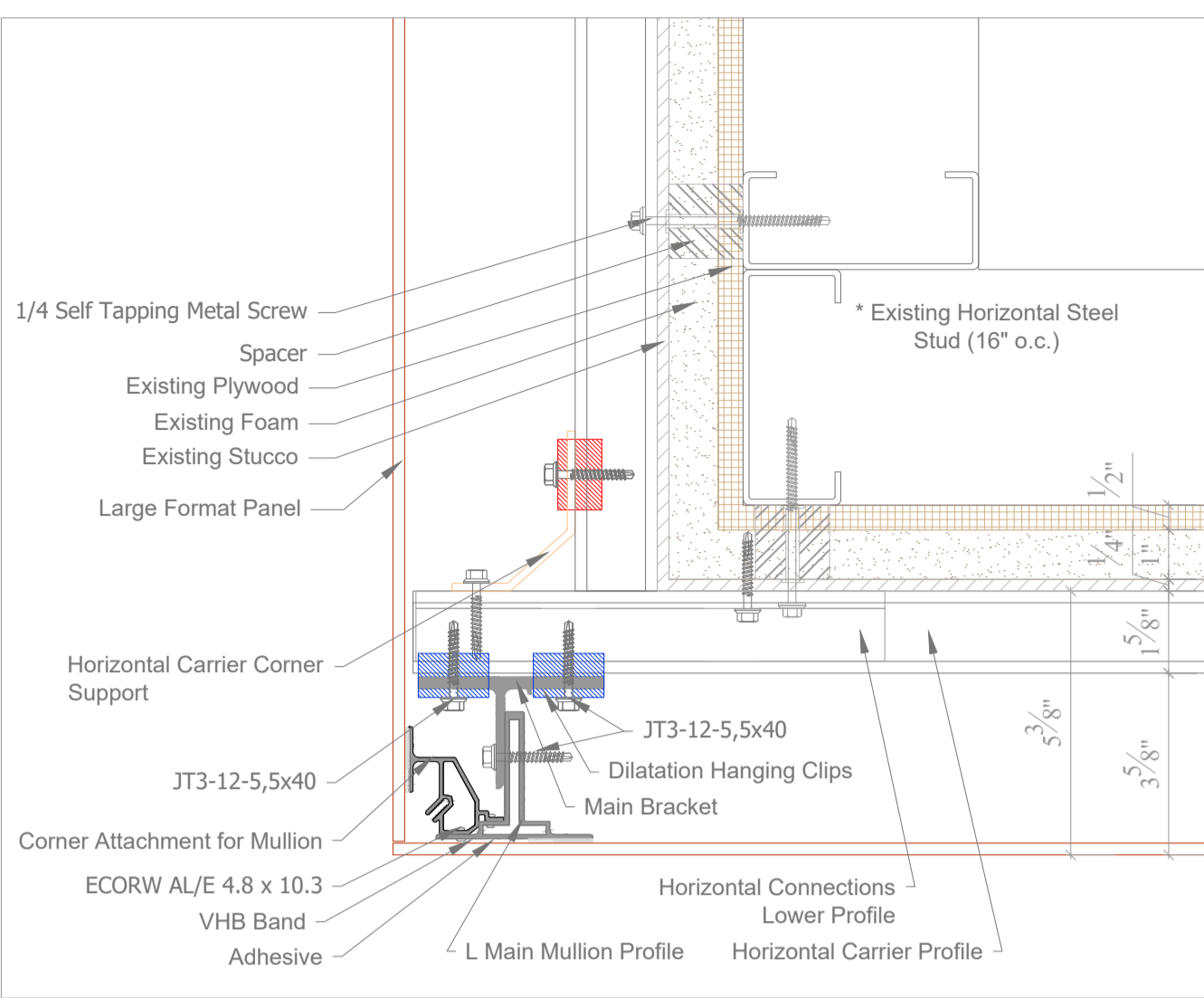




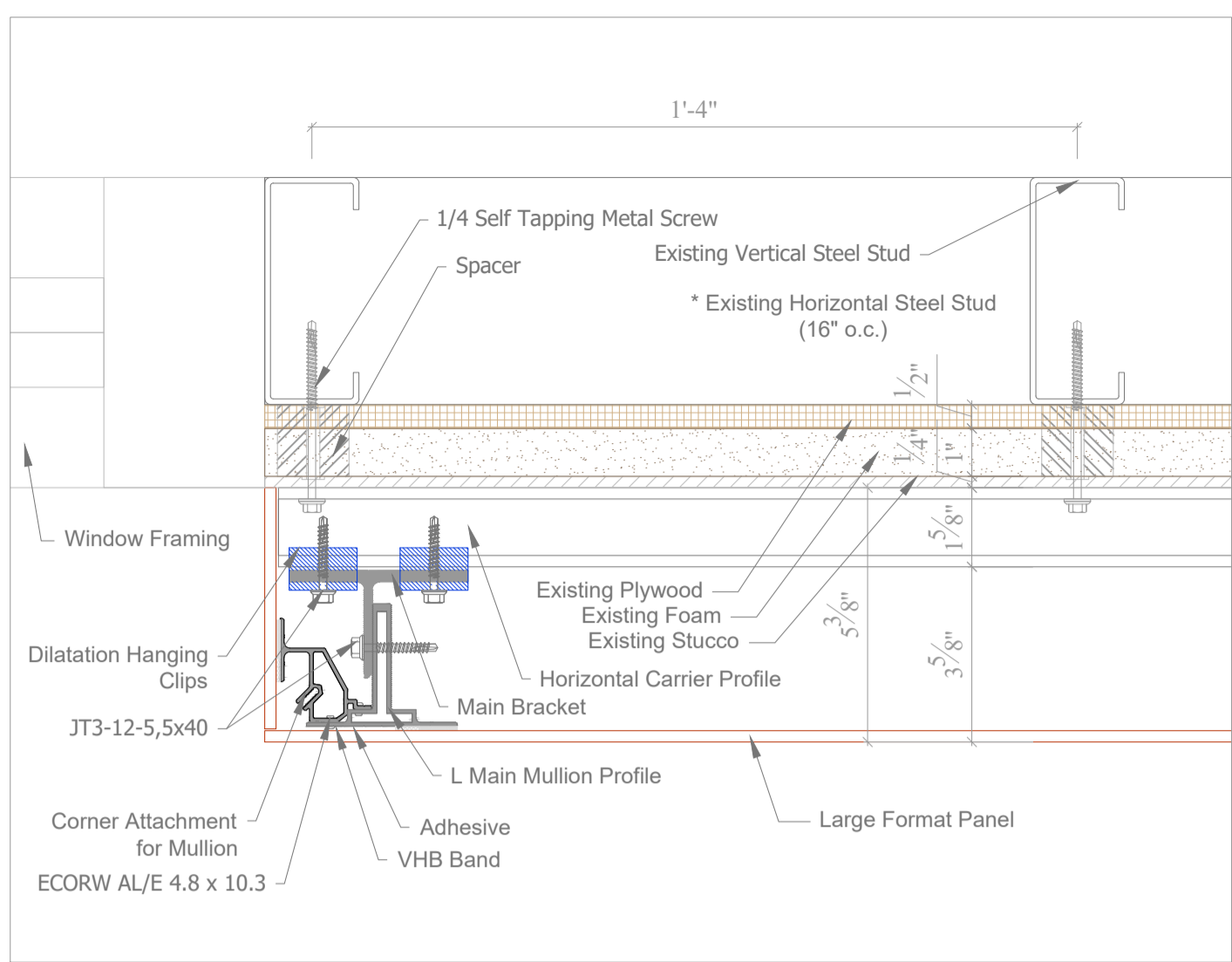
**1 VERTICAL JOINT PLAN**  
4.1



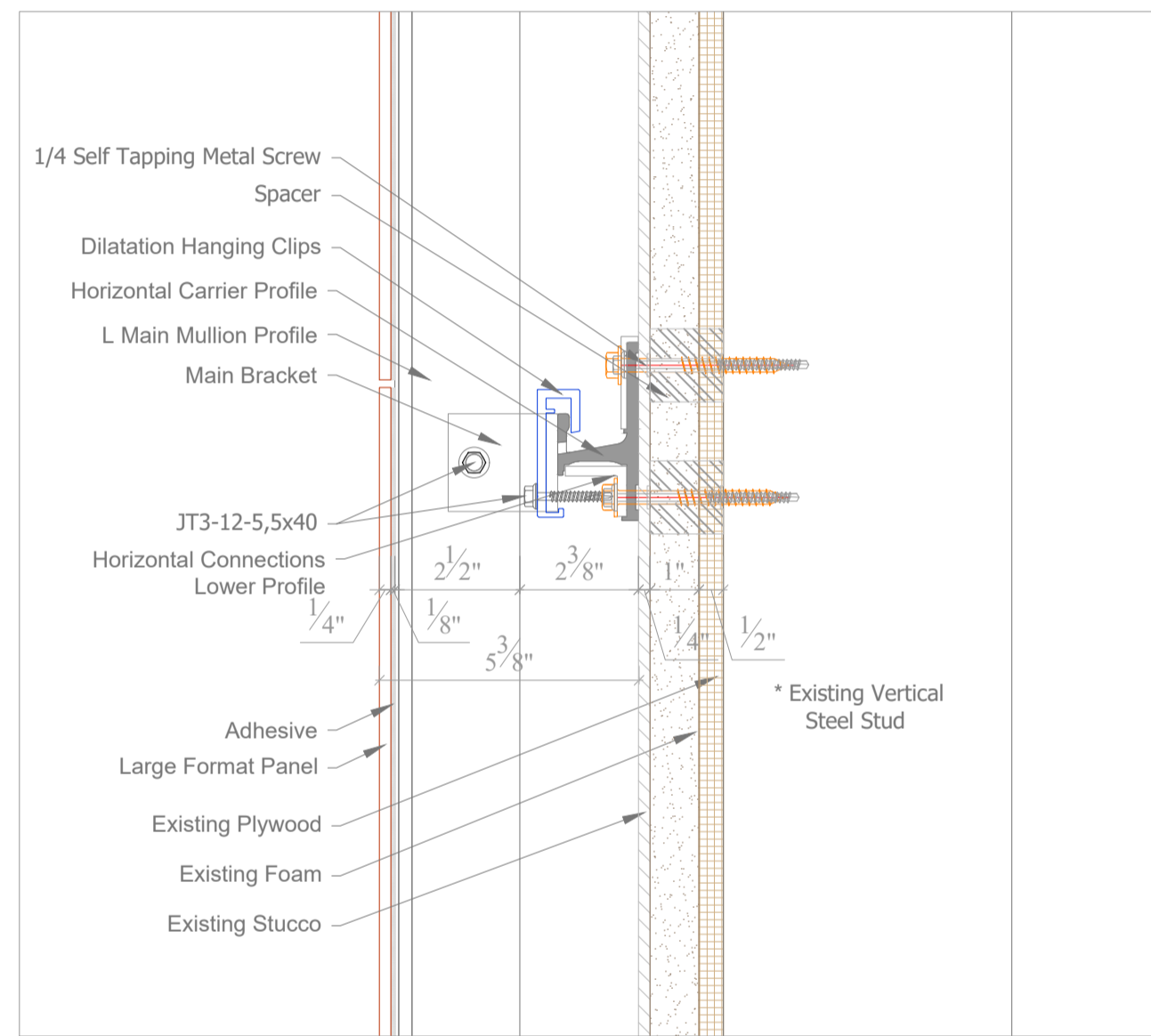
**2 REVEAL PLAN**  
4.1



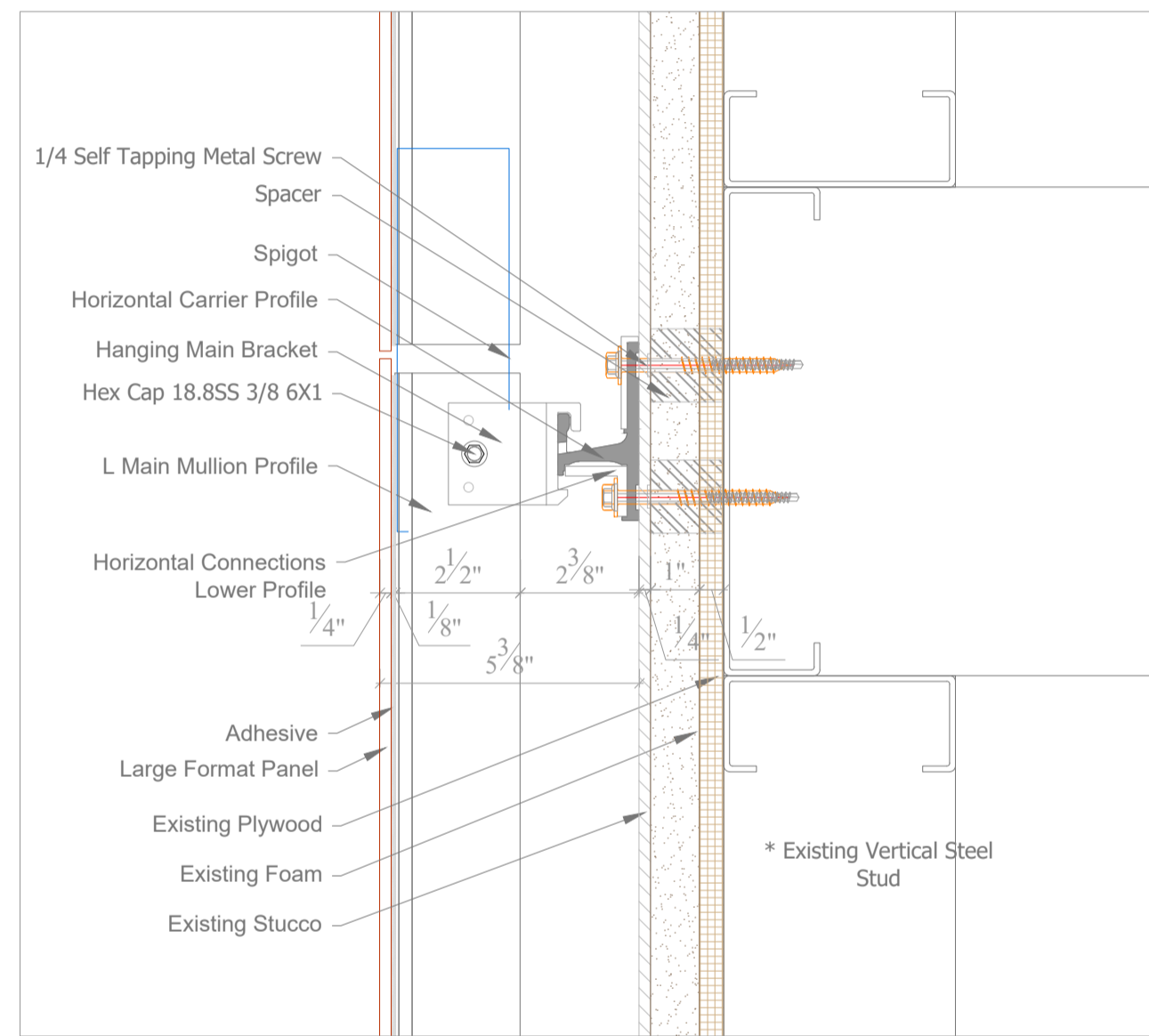
**3 CORNER PLAN**  
4.1



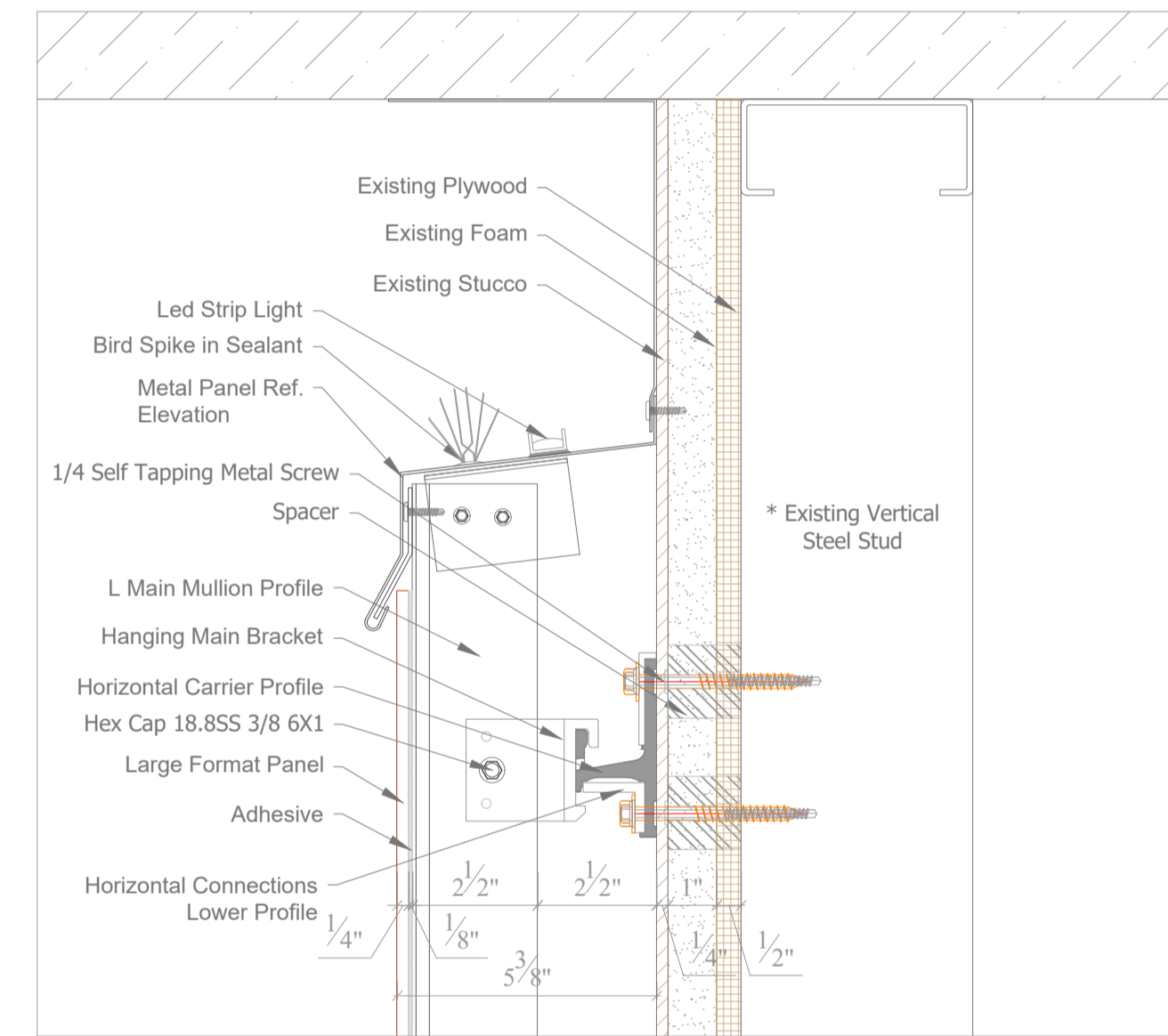
**4 RETURN PLAN**  
4.1



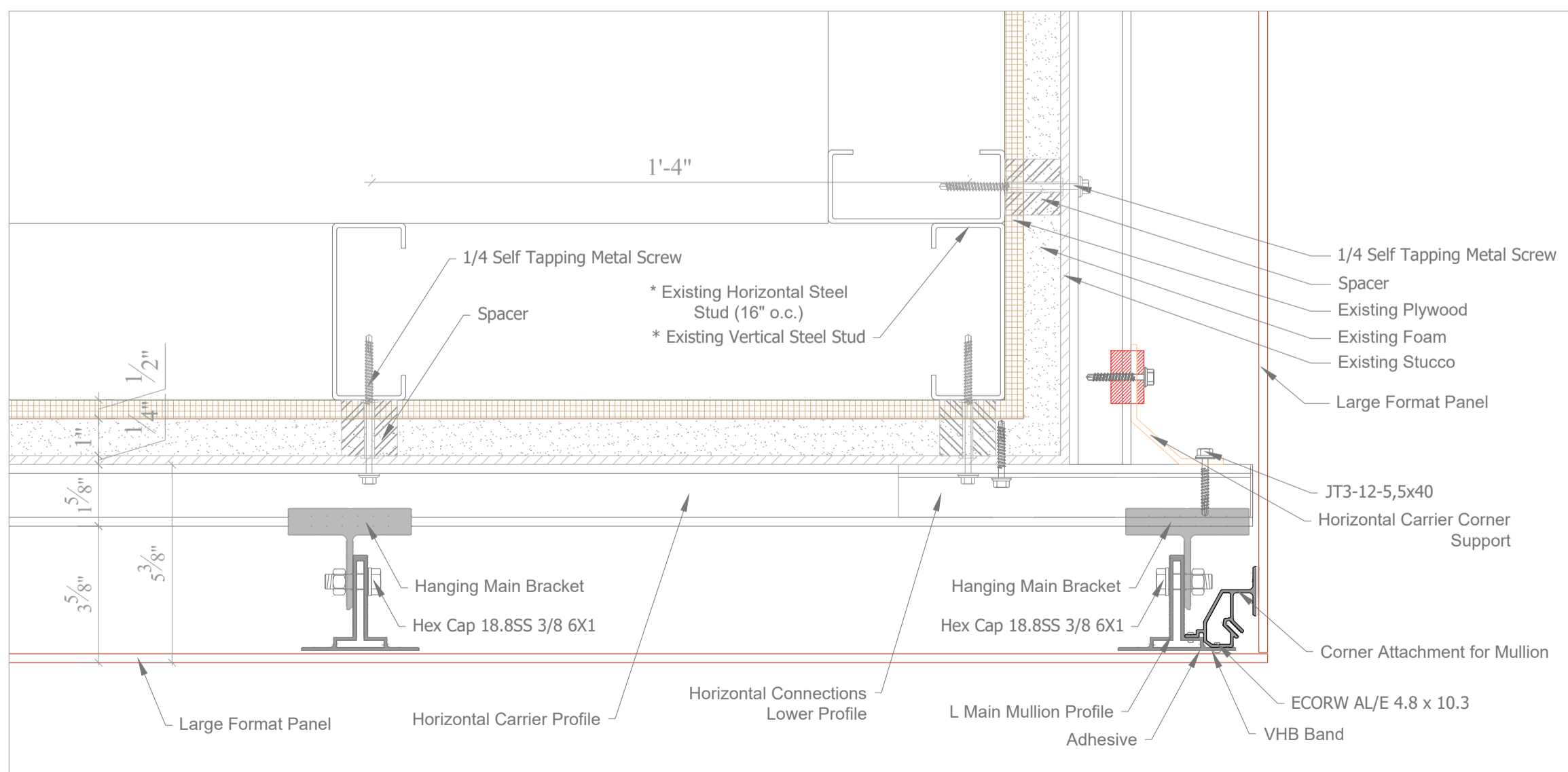
**5 BRACKET SECTION**  
4.1



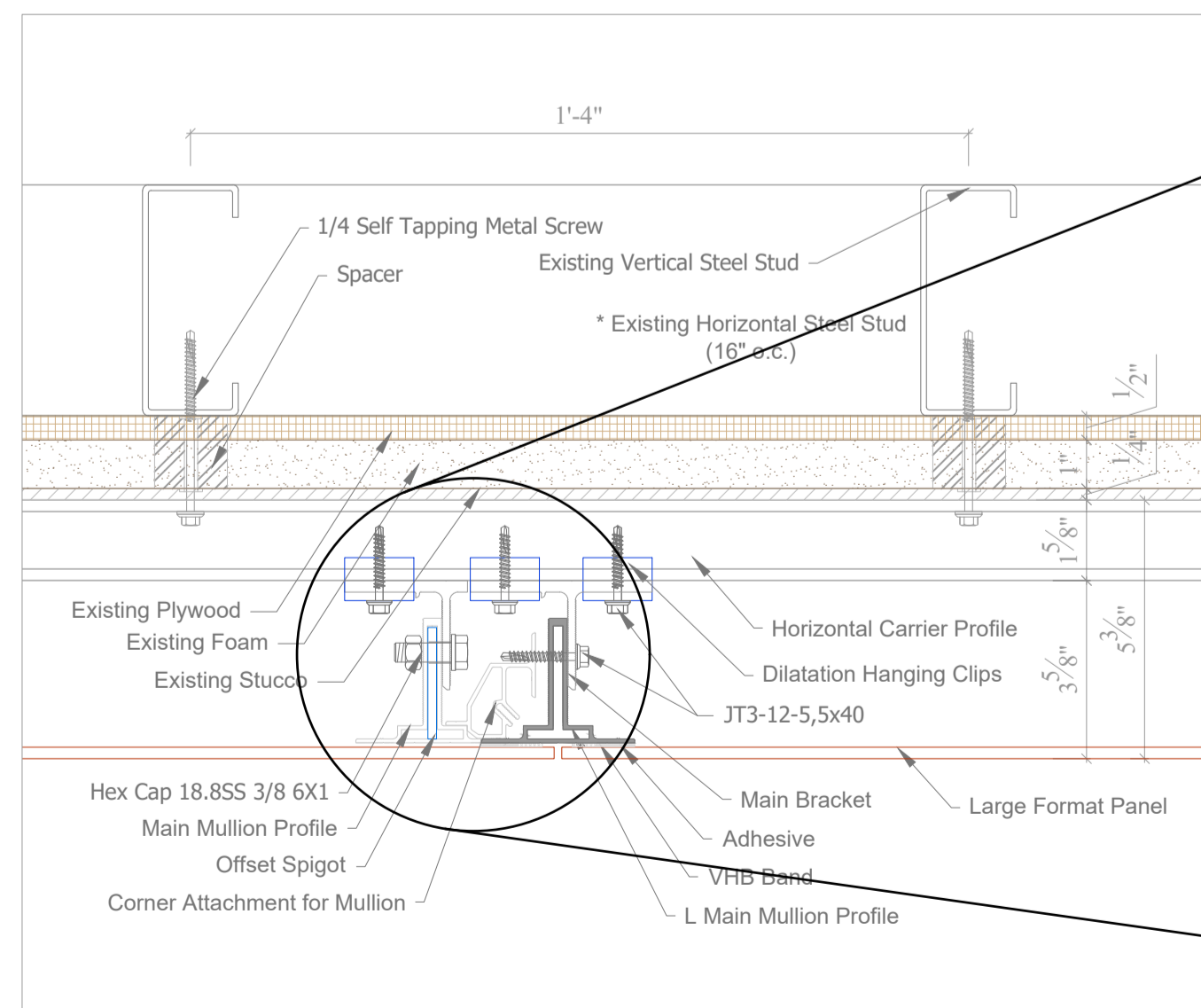
**6 DILATATION SECTION**  
4.1



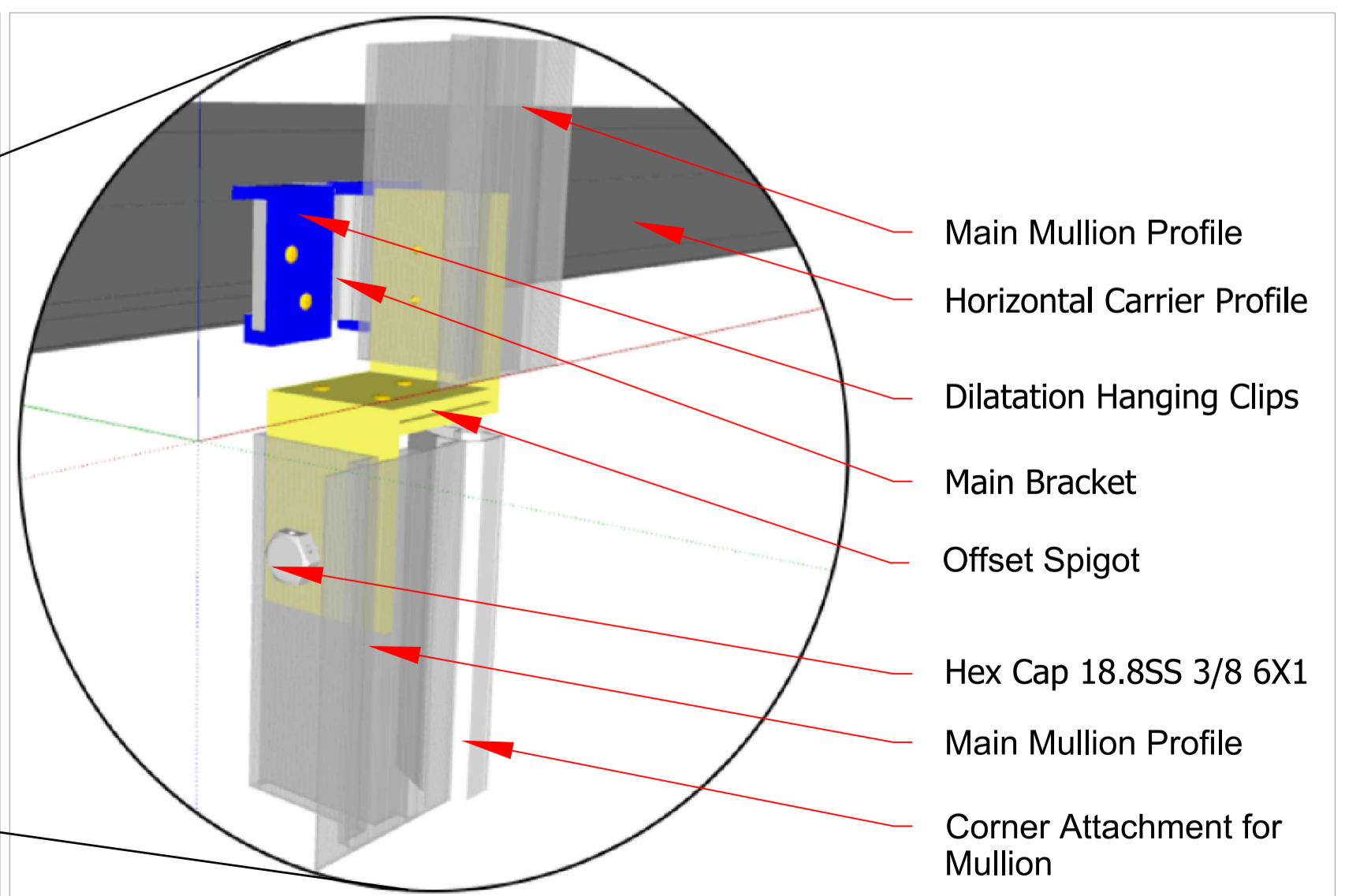
**7 PARAPET SECTION**  
4.1



**8 HANGING CLIPS PLAN**  
4.1



**9 RETURN JOINT PLAN**  
4.1



ARCHITECTURAL  
CLADDING PANEL:  
**MSI**  
Making Dream Surfaces Attainable

RSC DESIGNED BY:  
**S'thetics**  
For All Premises  
S'thetics Building Systems Inc.  
#2 6201 Highway 7  
Woodbridge ON  
L4H 0K7 CA

PROJECT:  
**LA QUINTA**  
INNS & SUITES  
LQUP @ La Quinta Inn Sturbridge  
478 Main St,  
Sturbridge, MA 01518

SEAL :

INSTALLER :

REVISIONS :

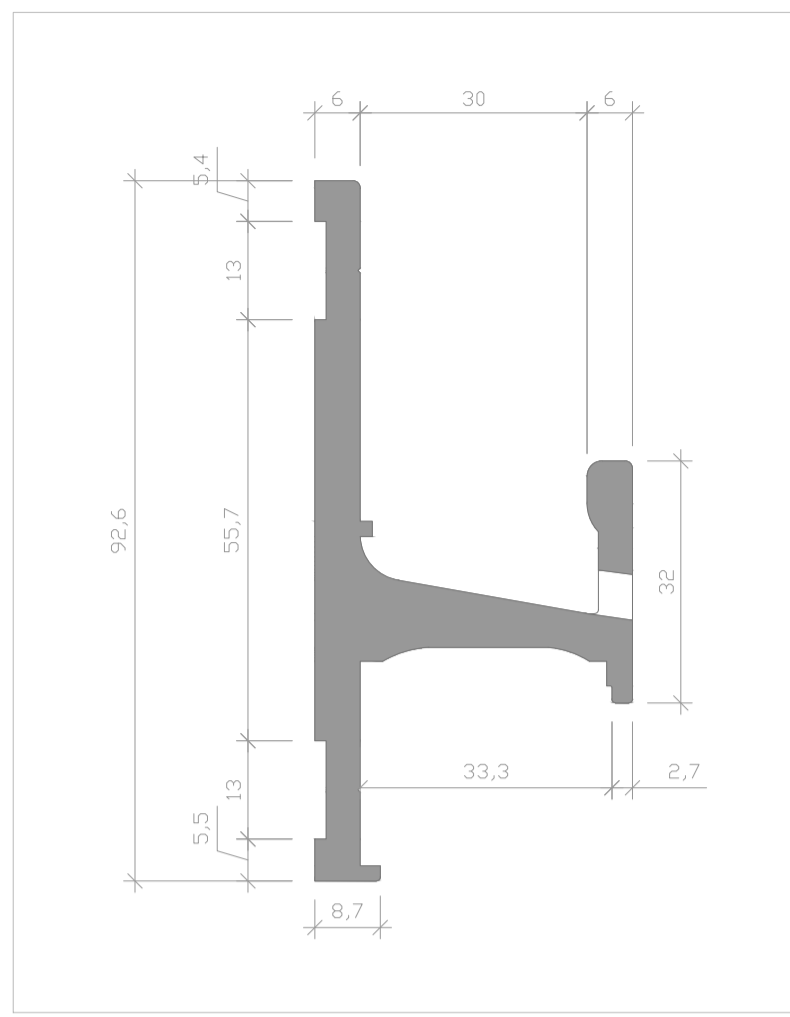
NO	DATE	REVISION	BY
01	02/01/2024	RENDERS ADDED	TO

DRAWING TITLE:

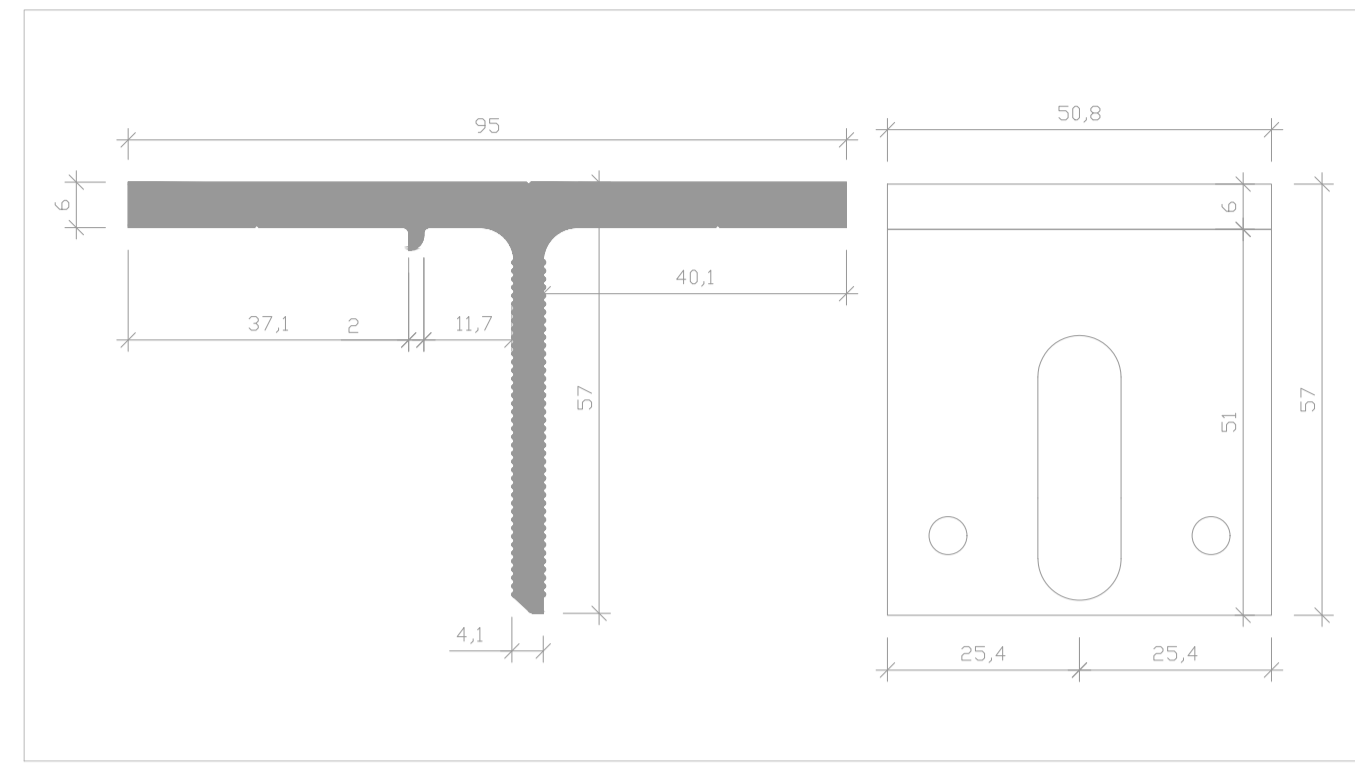
DRAWN BY : TALHA ORUC	CHECKED BY : BAHAR YUCEL
SCALE :	DATE : 02/01/2024

SHEET NAME:  
**TYPICAL DETAILS  
(PDS)**

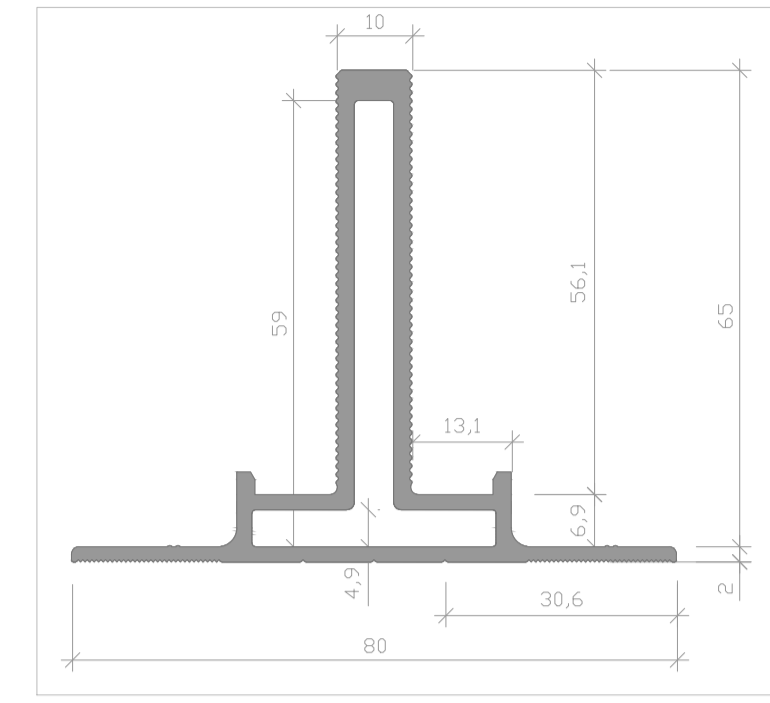
SHEET NUMBER:  
**4.1**



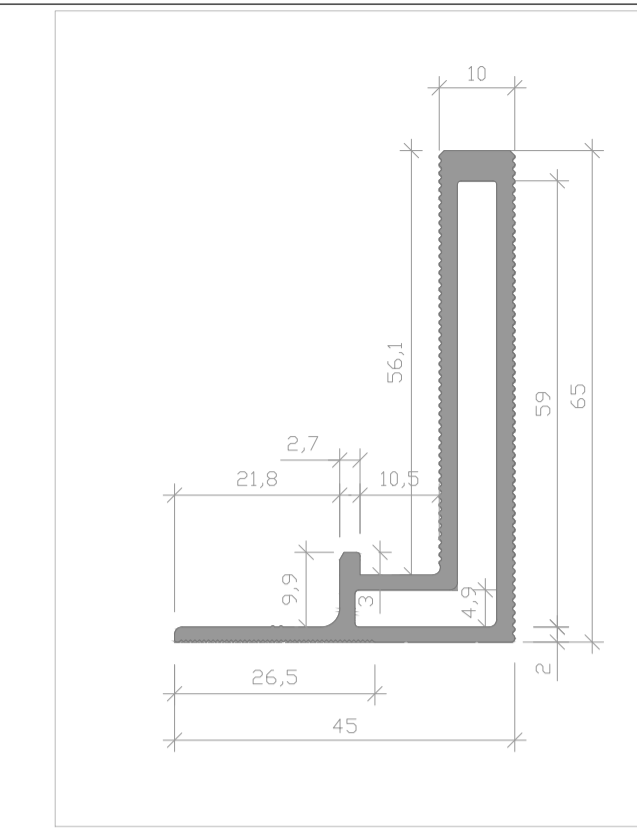
**1** Horizontal Carrier Profile S201-10001-AB  
4.2 SCALE: 1:1



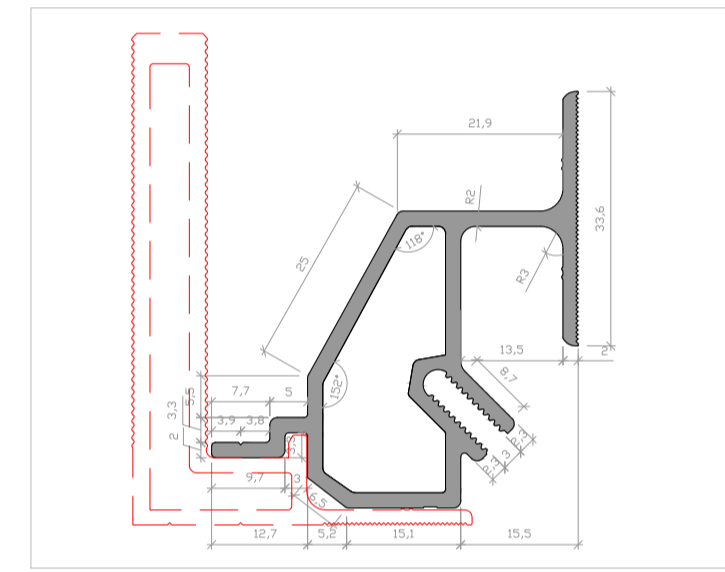
**2** Main Bracket S201-10201-AB  
4.2 SCALE: 1:1



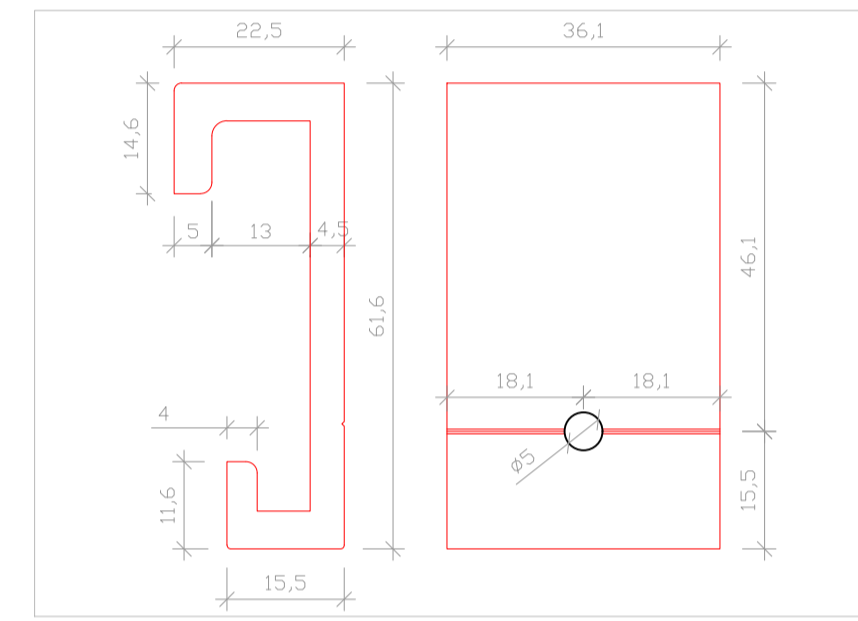
**3** Main Mullion Profile S201-10101-BA-2021  
4.2 SCALE: 1:1



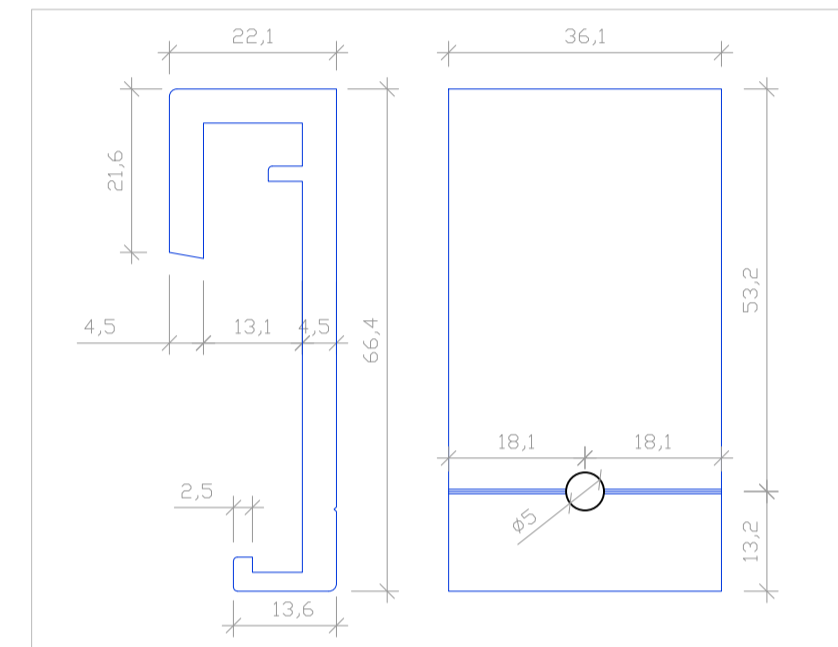
**4** L Main Mullion Profile S201-10104-BA-2021  
4.2 SCALE: 1:1



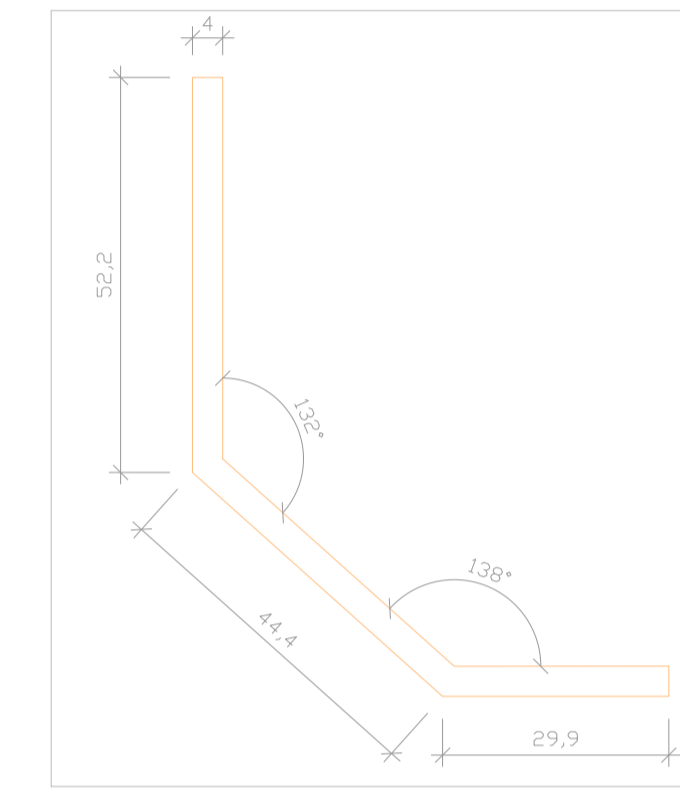
**5** Corner Attachment for Mullion S201-10107-BA-2021  
4.2 SCALE: 1:1



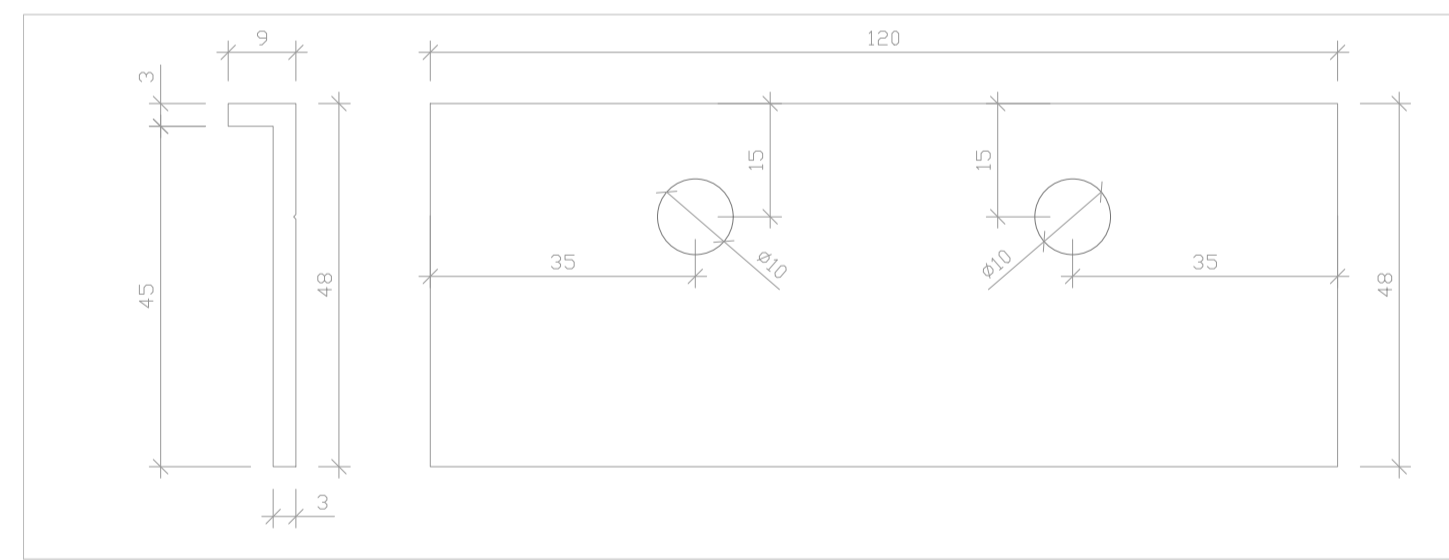
**6** Bracket Hanging Clips S201-10211-AB  
4.2 SCALE: 1:1



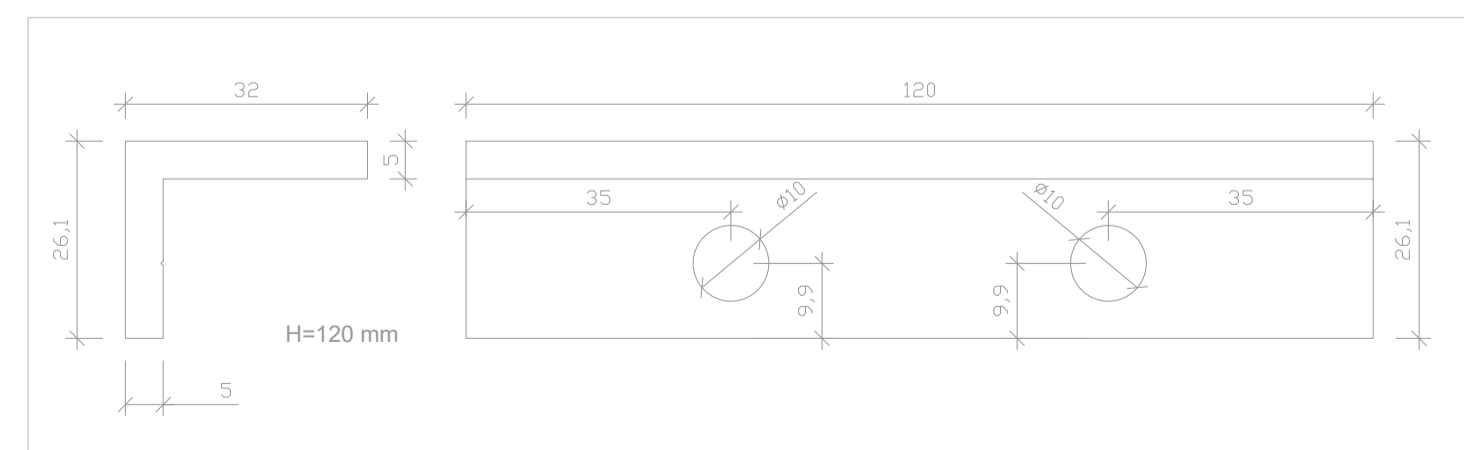
**7** Dilatation Hanging Clips S201-10212-AC  
4.2 SCALE: 1:1



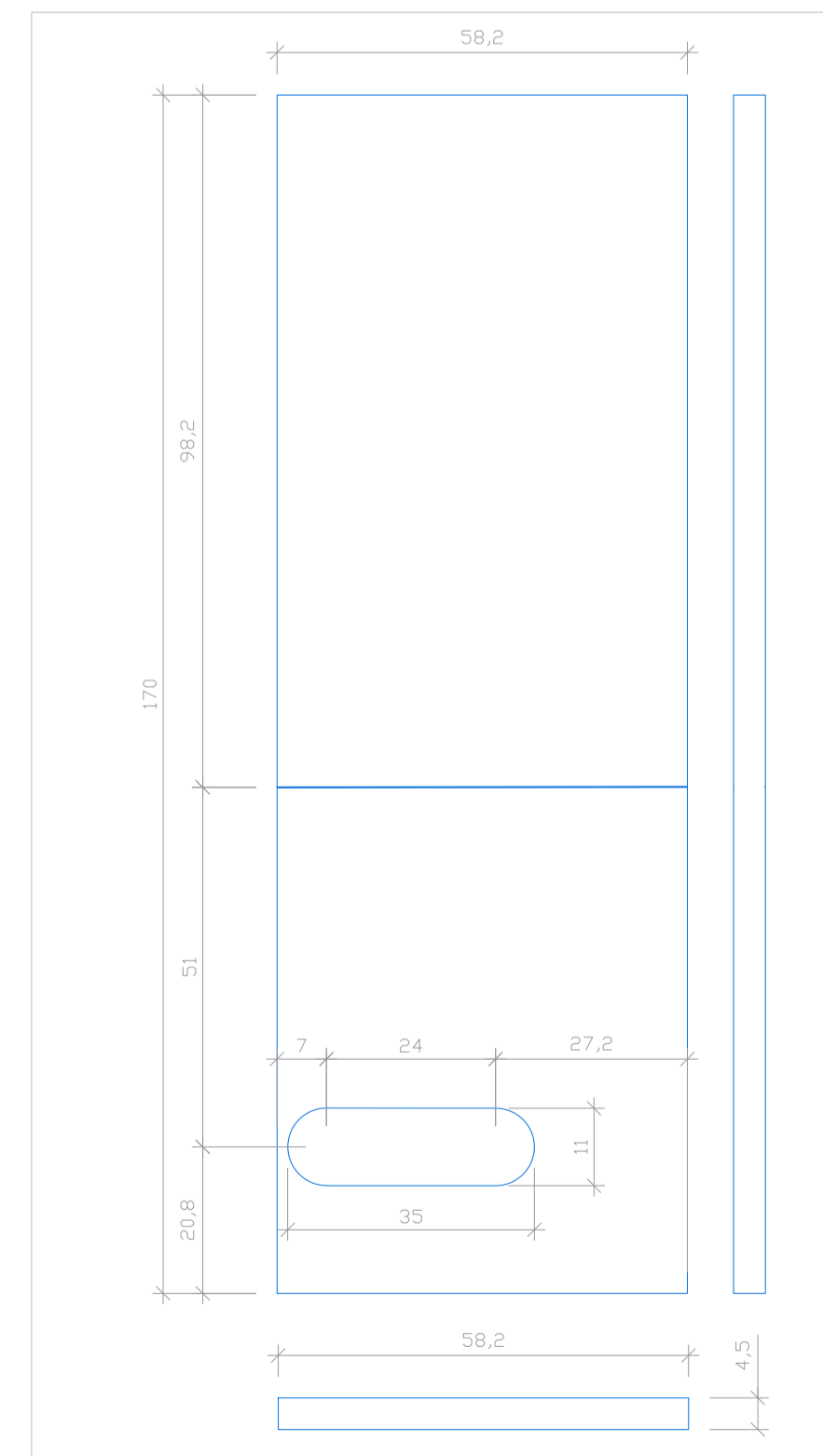
**8** Horizontal Carrier Corner Support S201-10022-AA  
4.2 SCALE: 1:1



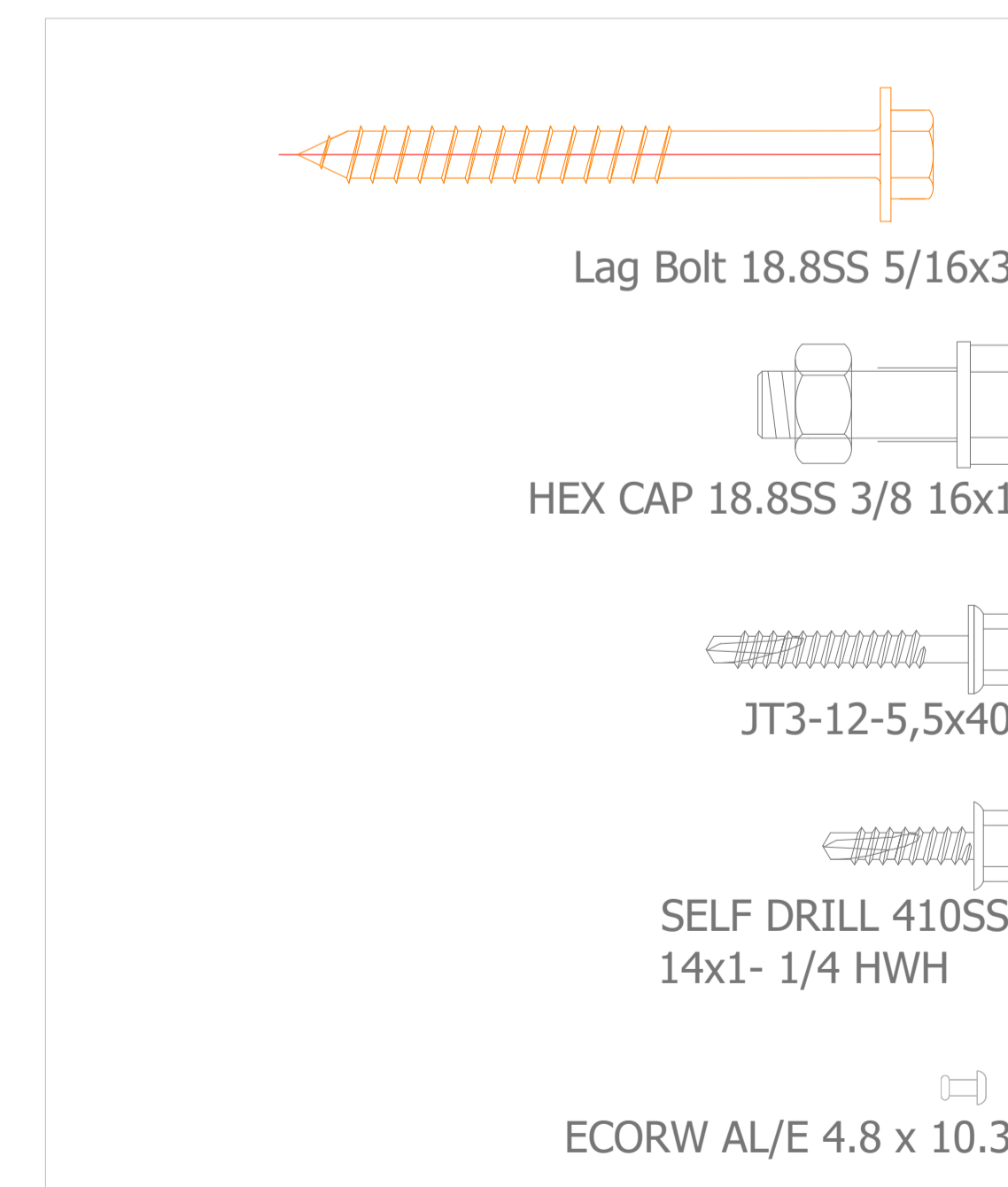
**9** Horizontal Carrier Upper Dilatation S201-10011-AA  
4.2 SCALE: 1:1



**10** Horizontal Carrier Lower Dilatation S201-10012-AA  
4.2 SCALE: 1:1



**11** Spigot for Mullions S201-10103-AA  
4.2 SCALE: 1:1



**12** Screws  
4.2 SCALE: 1:1

ARCHITECTURAL  
CLADDING PANEL:

**MSI**  
Making Dream Surfaces Attainable

RSC DESIGNED BY:

**S'thetics**  
For All Premises

S'thetics Building Systems Inc.

#2 6201 Highway 7  
Woodbridge ON  
L4H 0K7 CA

PROJECT:

**LAQUINTA**  
INNS & SUITES

LQUP @ La Quinta Inn Sturbridge

478 Main St,  
Sturbridge, MA 01518

SEAL :

INSTALLER :

REVISIONS :

NO	DATE	REVISION	BY
01	02/01/2024	RENDERS ADDED	TO

DRAWING TITLE:

DRAWN BY : TALHA ORUC	CHECKED BY : BAHAR YUCEL
SCALE :	DATE : 02/01/2024

SHEET NAME:

**MATERIAL DETAILS**  
(PDS)

SHEET NUMBER:

**4.2**

# LA QUINTA INN & SUITES STURBRIDGE, MA

## Proposed Metal Ceiling Design

ARCHITECTURAL  
CLADDING PANEL:

# MSI

Making Dream Surfaces Attainable

RSC DESIGNED BY:



## S'thetics

For All Premises

S'thetics Building Systems Inc.

#2 6201 Highway 7  
Woodbridge ON  
L4H 0K7 CA

PROJECT:



LQUP @ La Quinta Inn Sturbridge

478 Main St,  
Sturbridge, MA 01518

SEAL :

INSTALLER :

REVISIONS :

NO	DATE	REVISION	BY
01	02/01/2024	RENDERS ADDED	TO

DRAWING TITLE:

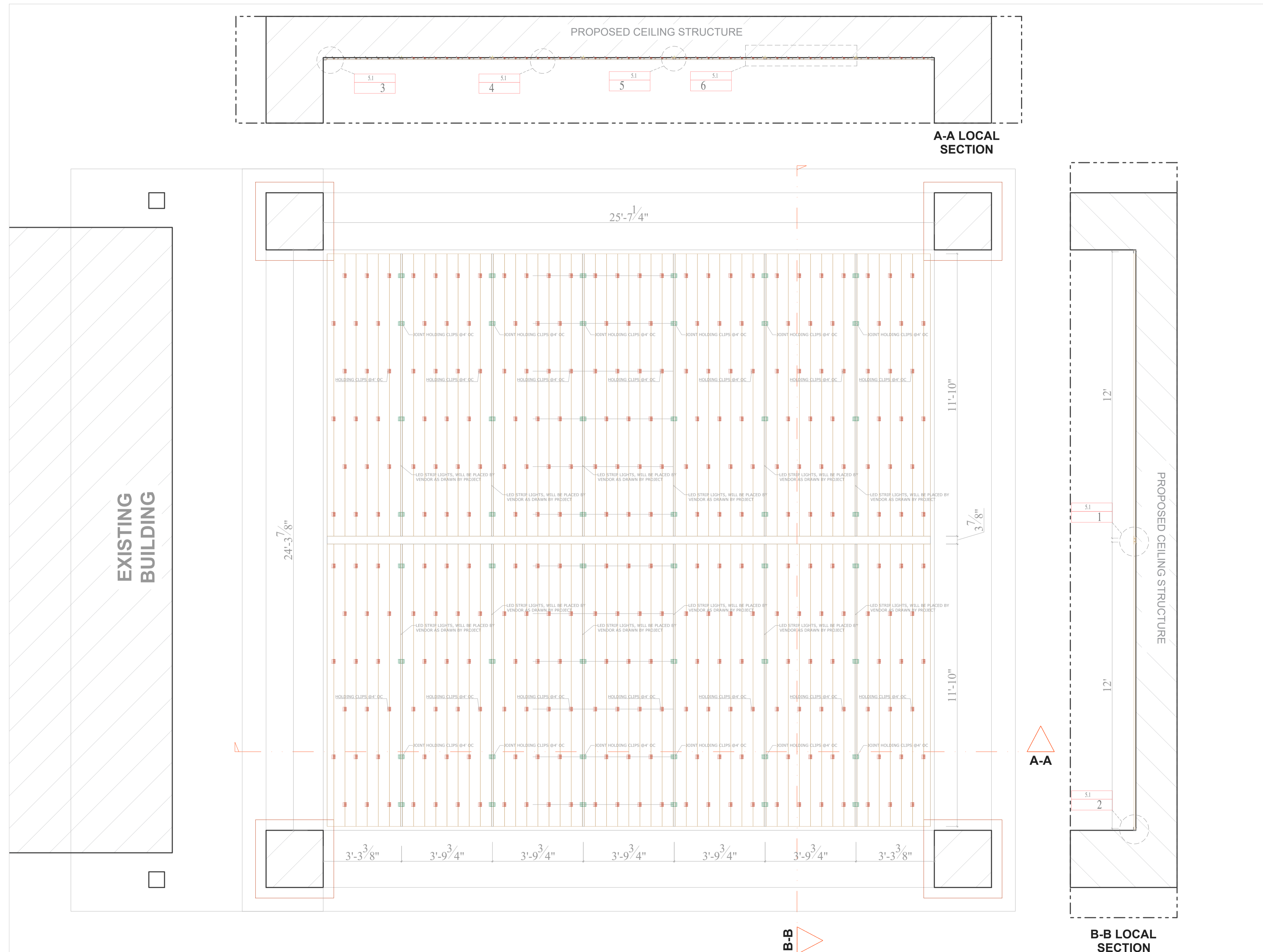
DRAWN BY : TALHA ORUC	CHECKED BY : BAHAR YUCEL
SCALE :	DATE : 02/01/2024

SHEET NAME:

**PROPOSED CANOPY  
CEILING PLAN  
(PDS)**

SHEET NUMBER:

5.0

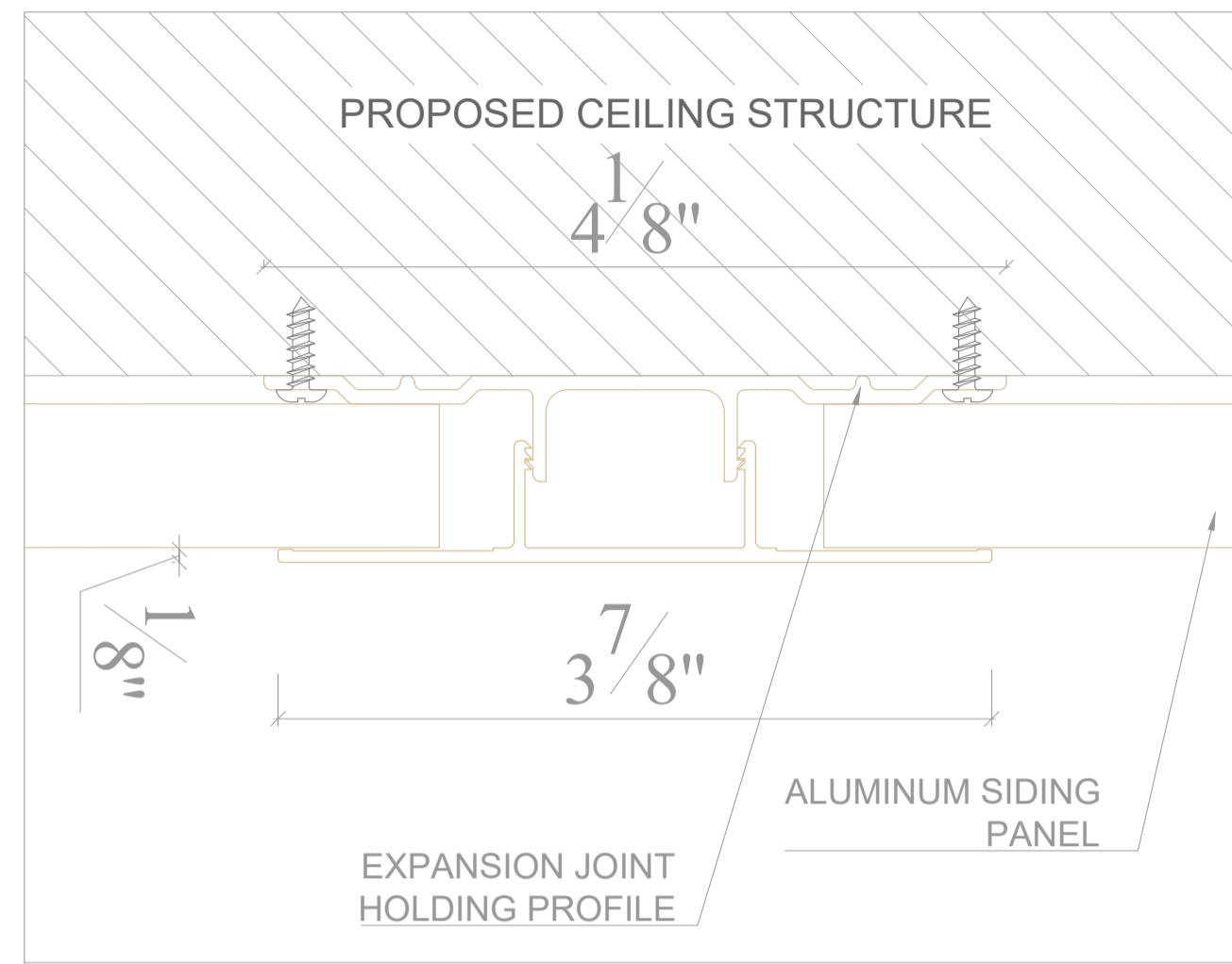


1  
5.0 CANOPY CEILING PLAN

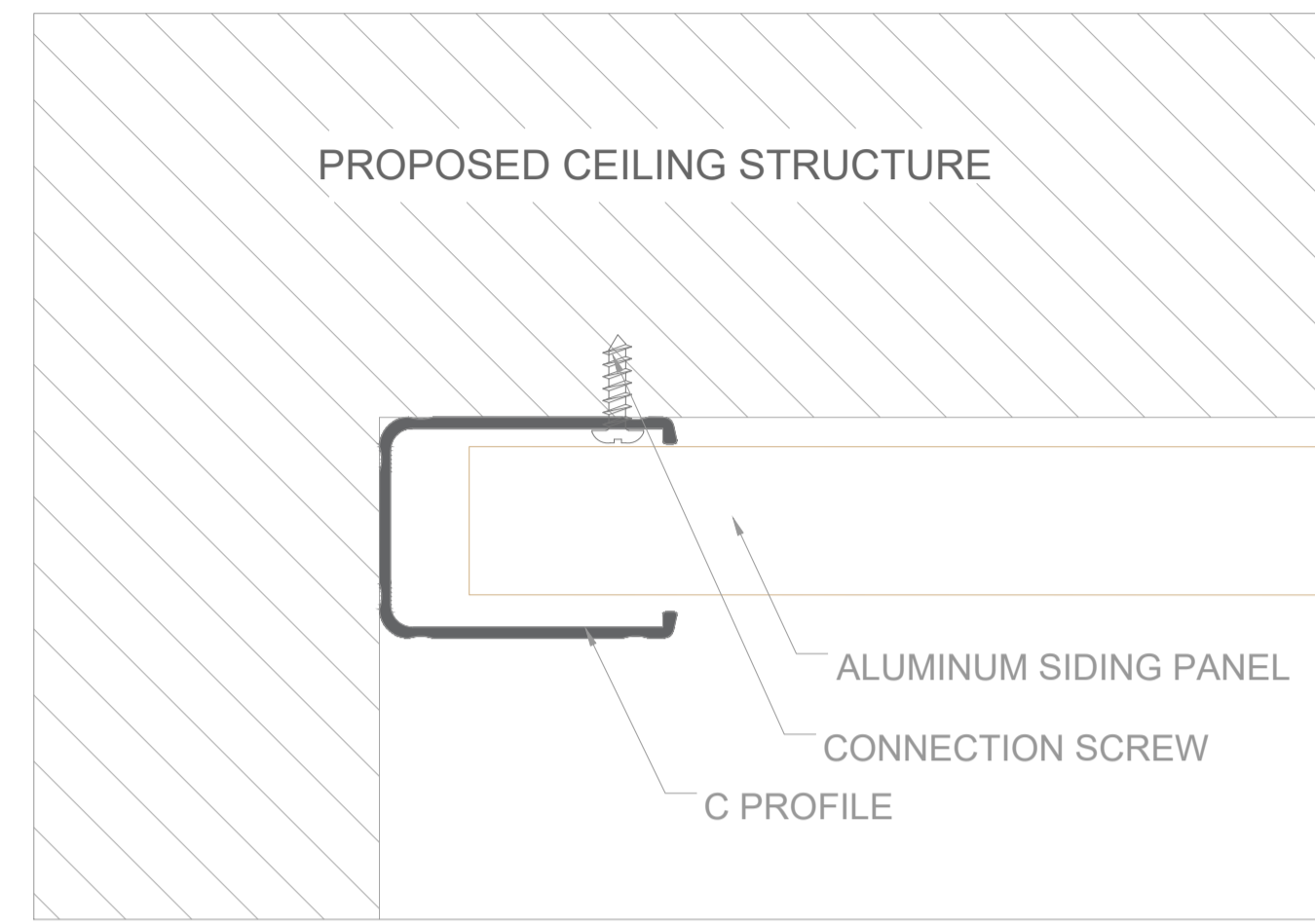
NOTE: CEILING PANELS TO BE ALIGNED PERPENDICULAR TO THE EXISTING CEILING STUDS  
USE FURNING STRIPS MADE OF METAL OR DIMENTIONAL LUMBER IF NECESSARY.  
FASTENERS TO BE @ 24" OC MAX.

# LA QUINTA INN & SUITES STURBRIDGE, MA

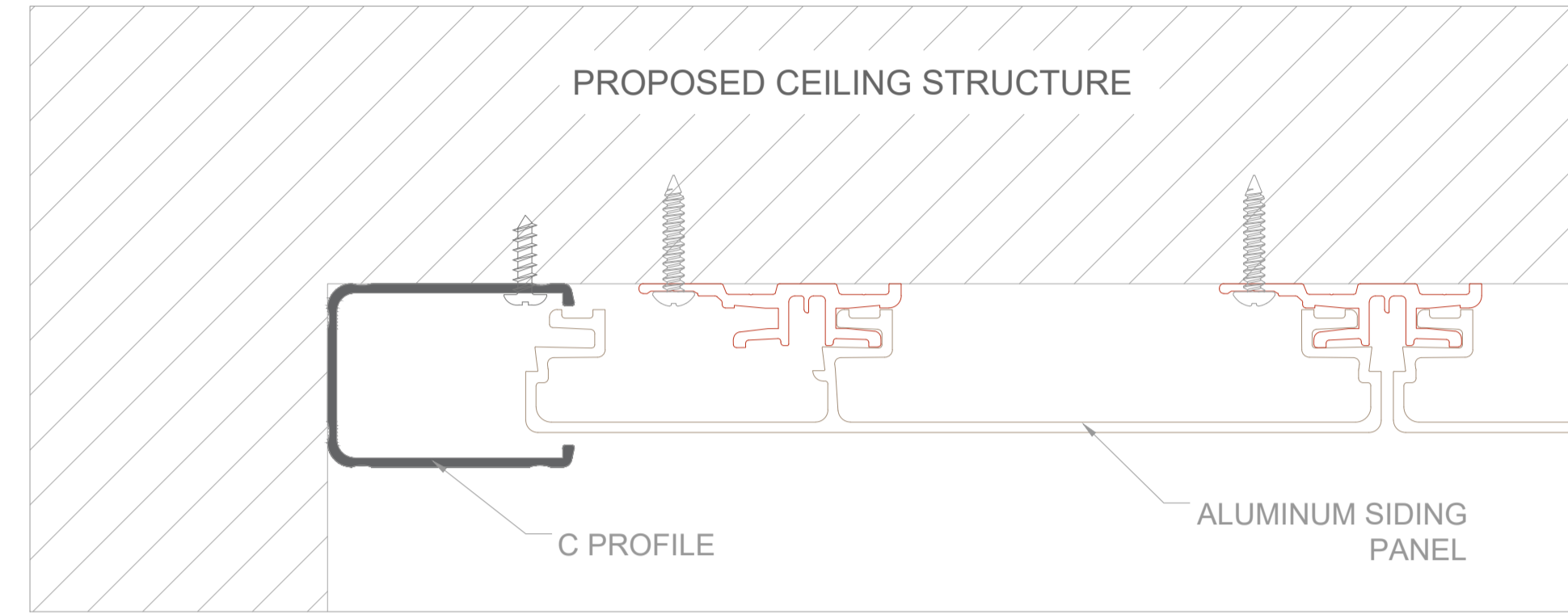
## Proposed Metal Ceiling Design



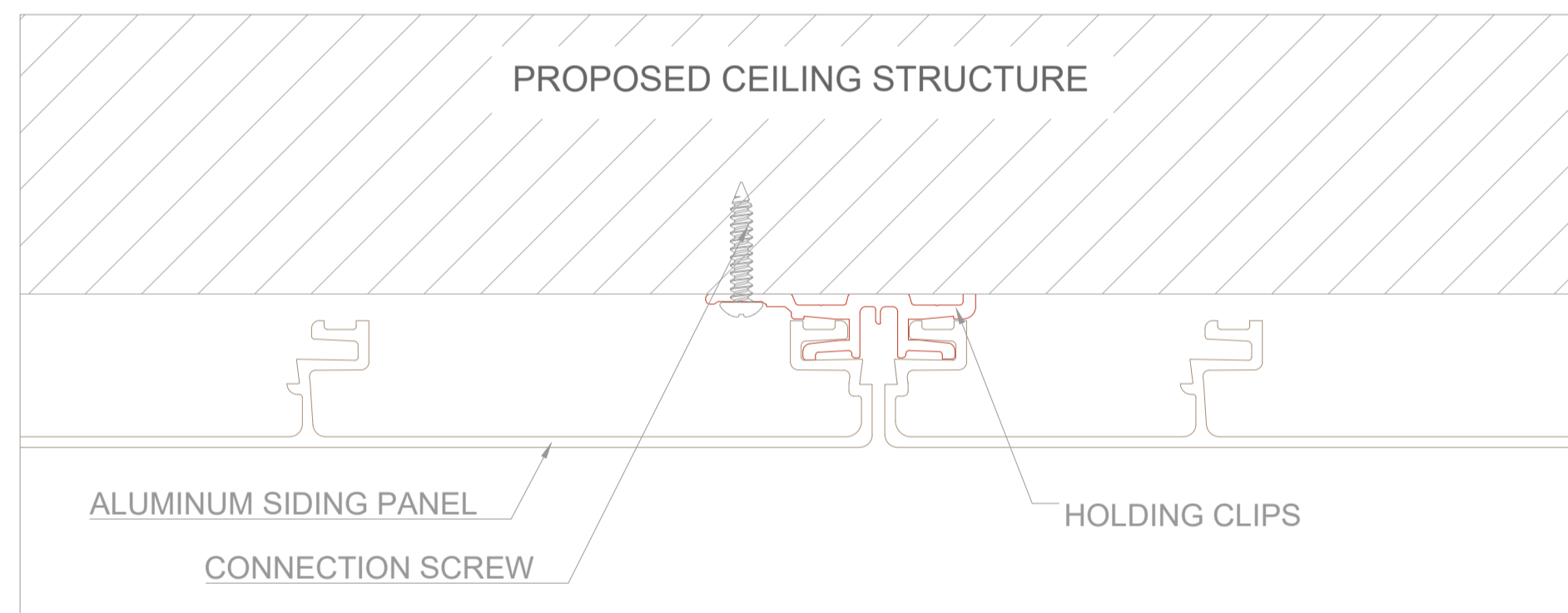
**1 JOINT POINT**  
5.1 Scale: 1' - 0" = 1' - 0"



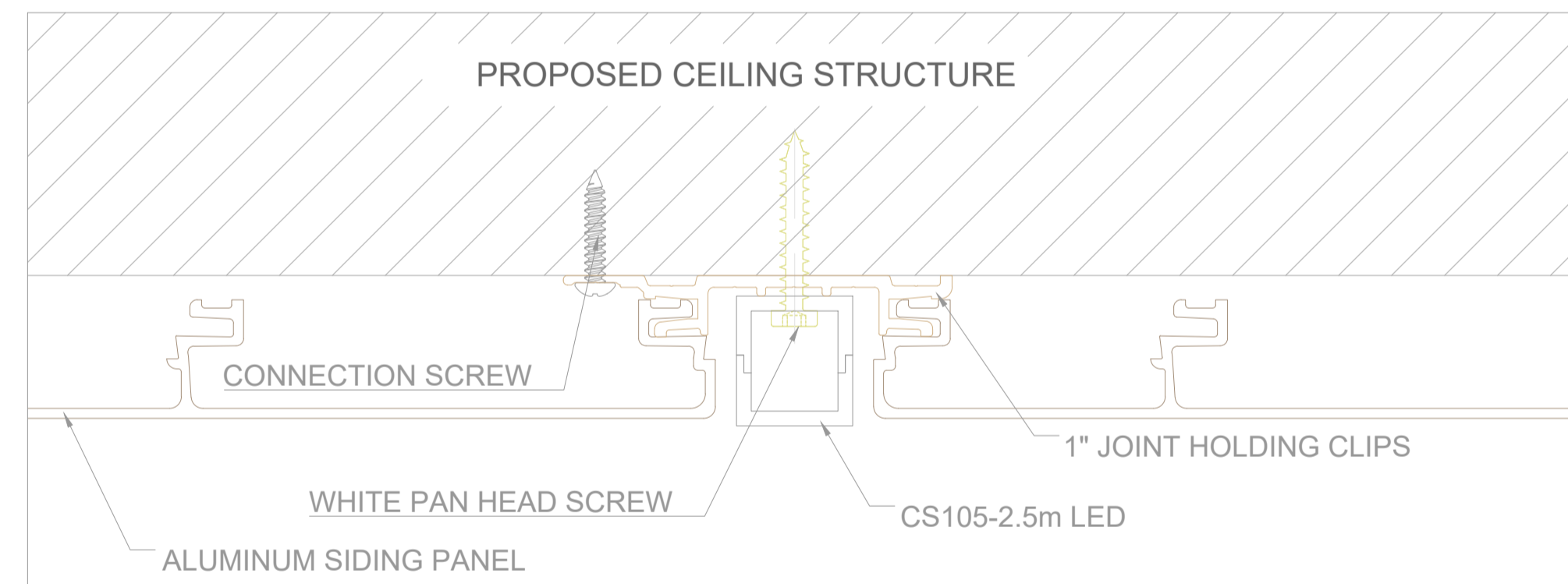
**2 END POINT**  
5.1 Scale: 1' - 0" = 1' - 0"



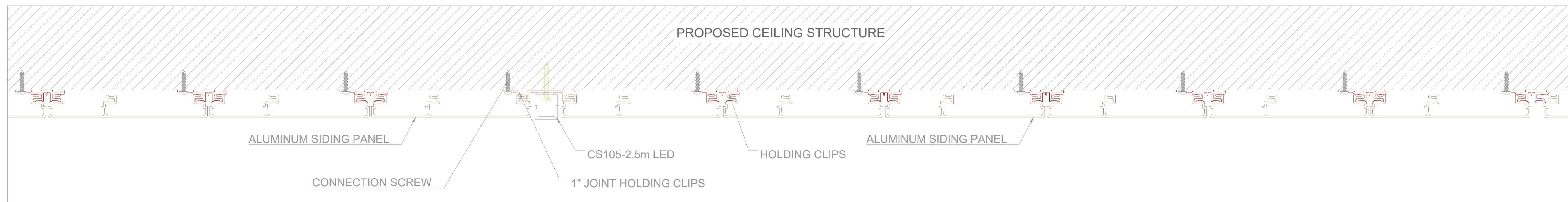
**3 END POINT**  
5.1 Scale: 1' - 0" = 1' - 0"



**4 JOINT POINT**  
5.1 Scale: 1' - 0" = 1' - 0"



**5 LED STRIP POINT**  
5.1 Scale: 1' - 0" = 1' - 0"



**6 ENLARGED SECTION**  
5.1 SCALE: 1 1/2" = 1' 0"

NOTE: CEILING PANELS TO BE ALIGNED PERPENDICULAR TO THE EXISTING CEILING STUDS  
USE FURNING STRIPS MADE OF METAL OR DIMENSIONAL LUMBER IF NECESSARY.  
FASTENERS TO BE @ 24" OC MAX.

ARCHITECTURAL  
CLADDING PANEL:

**MSI**  
Making Dream Surfaces Attainable

RSC DESIGNED BY:

**S'thetics**  
For All Premises

S'thetics Building Systems Inc.

#2 6201 Highway 7  
Woodbridge ON  
L4H 0K7 CA

PROJECT:

**LA QUINTA**  
INNS & SUITES

LQUP @ La Quinta Inn Sturbridge

478 Main St,  
Sturbridge, MA 01518

SEAL :

INSTALLER :

REVISIONS :

NO	DATE	REVISION	BY
01	02/01/2024	RENDERS ADDED	TO

DRAWING TITLE:

DRAWN BY : TALHA ORUC	CHECKED BY : BAHAR YUCEL
SCALE :	DATE : 02/01/2024

SHEET NAME:

**CANOPY DETAILS**  
(PDS)

SHEET NUMBER:

5.1