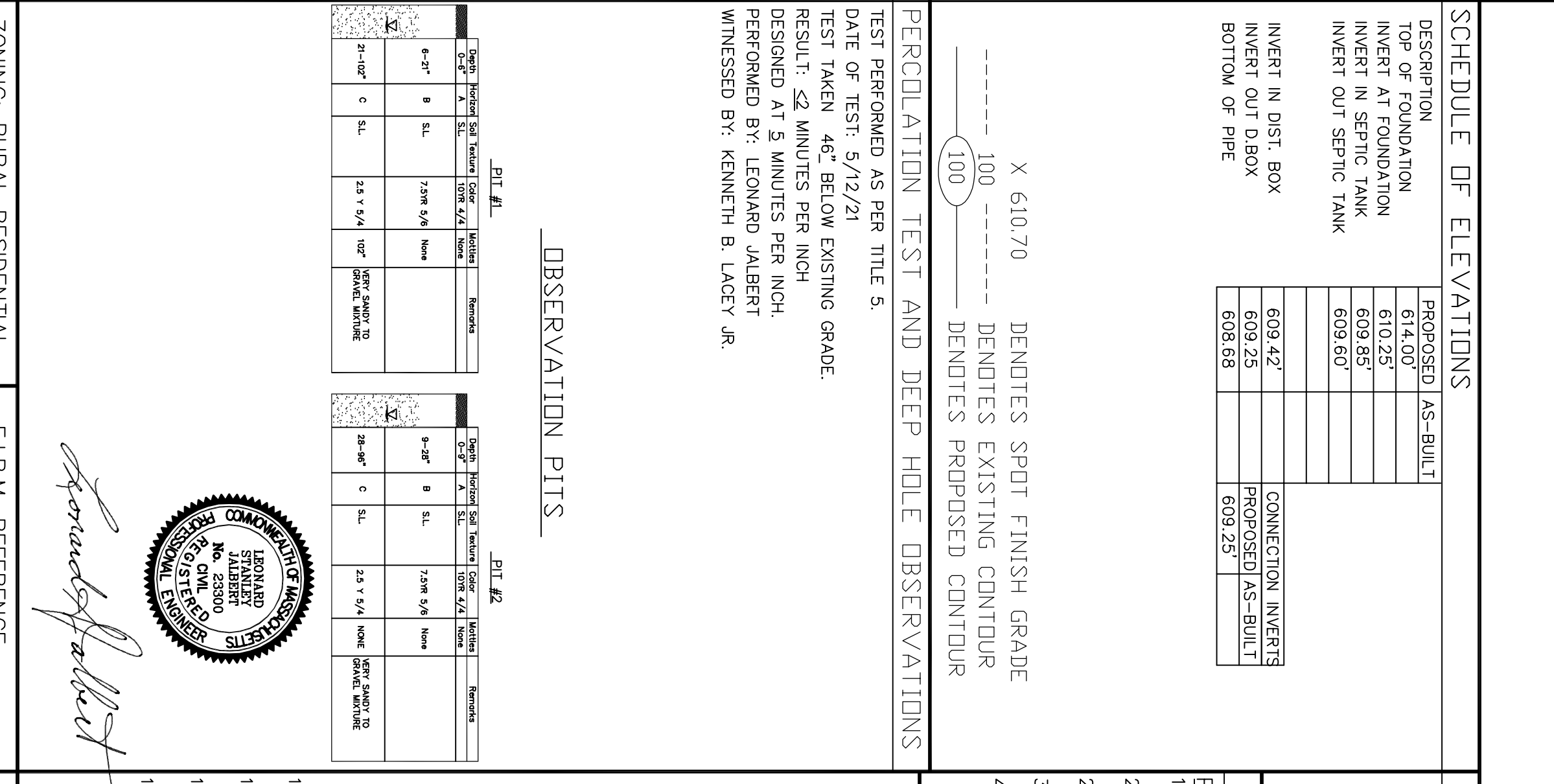
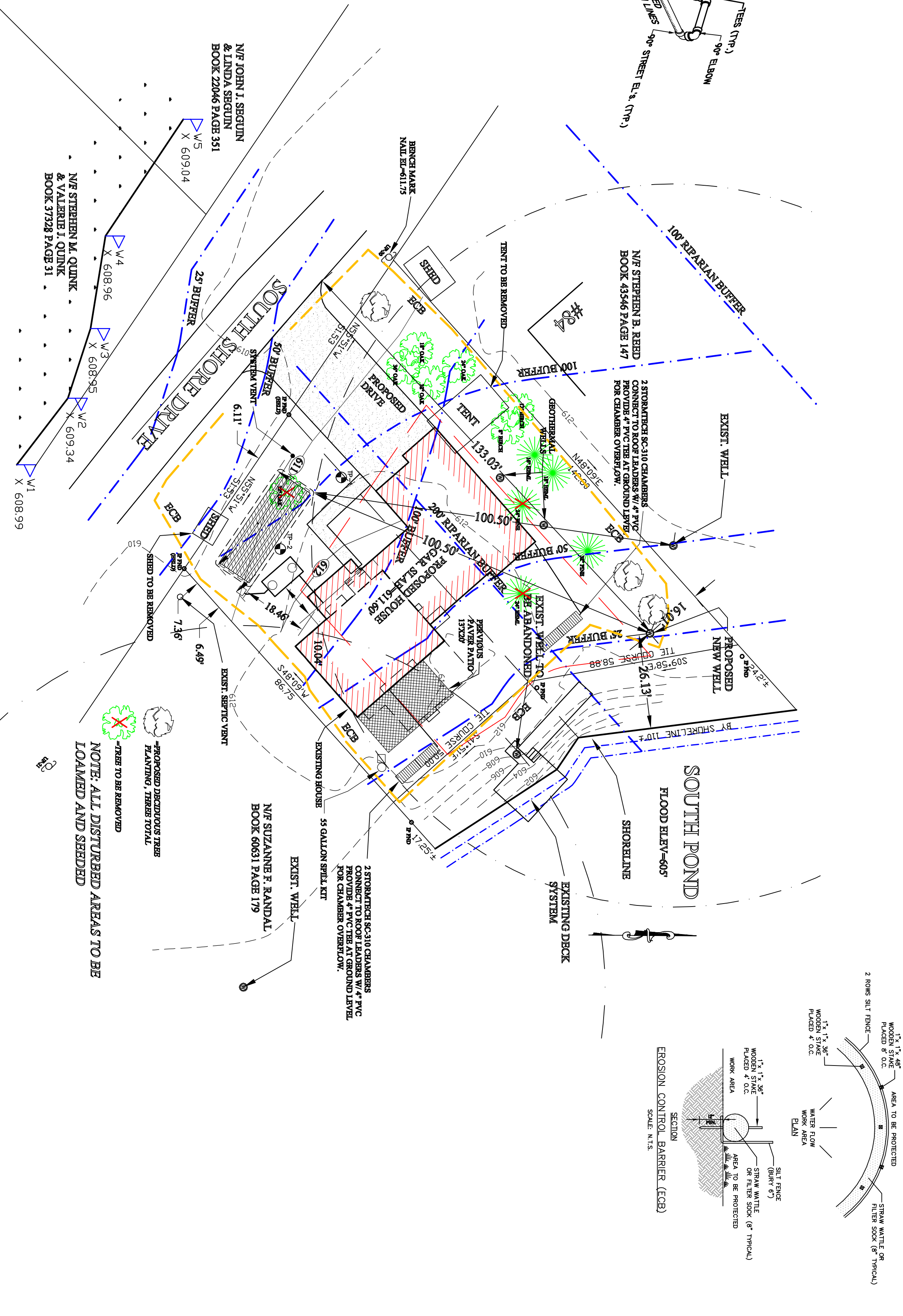
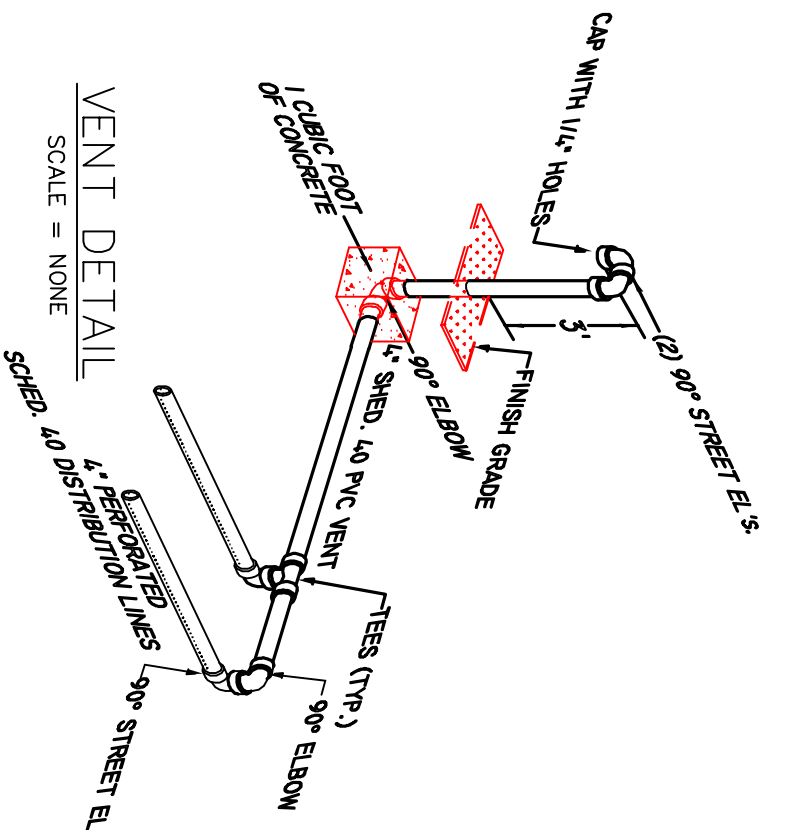
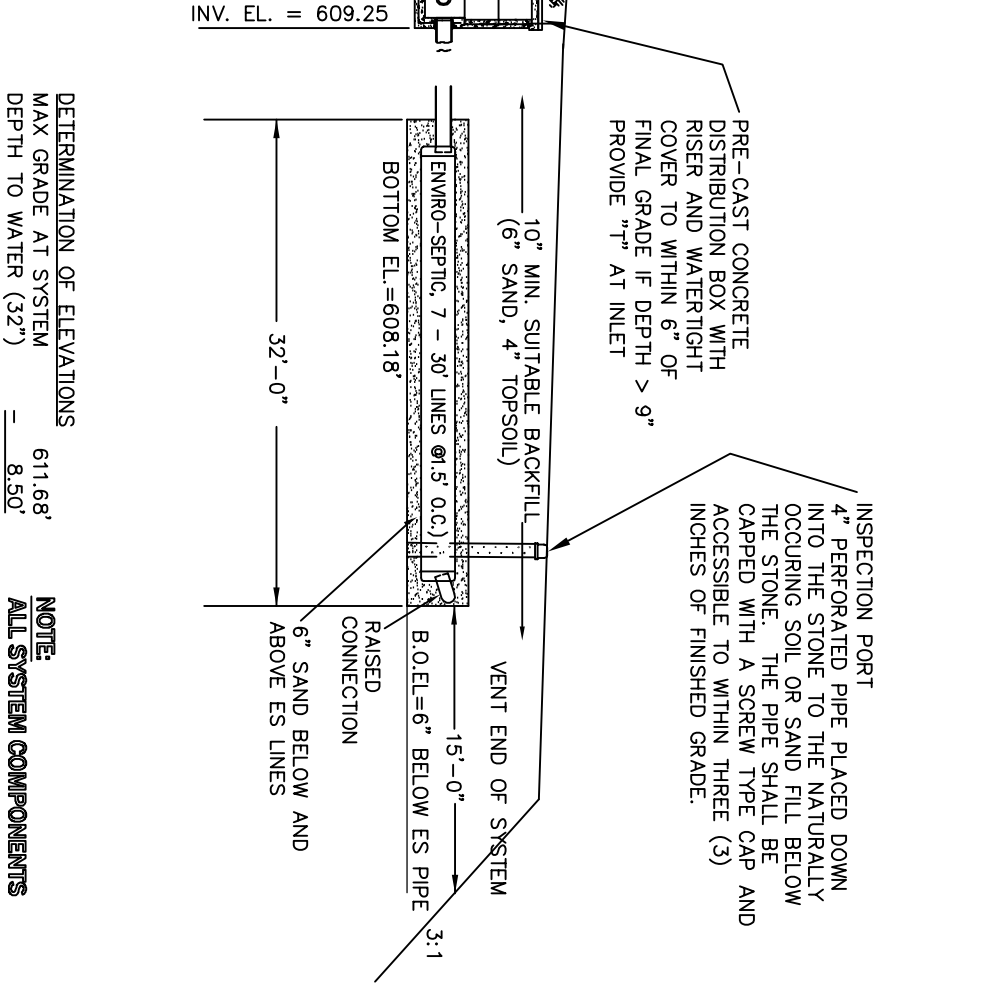
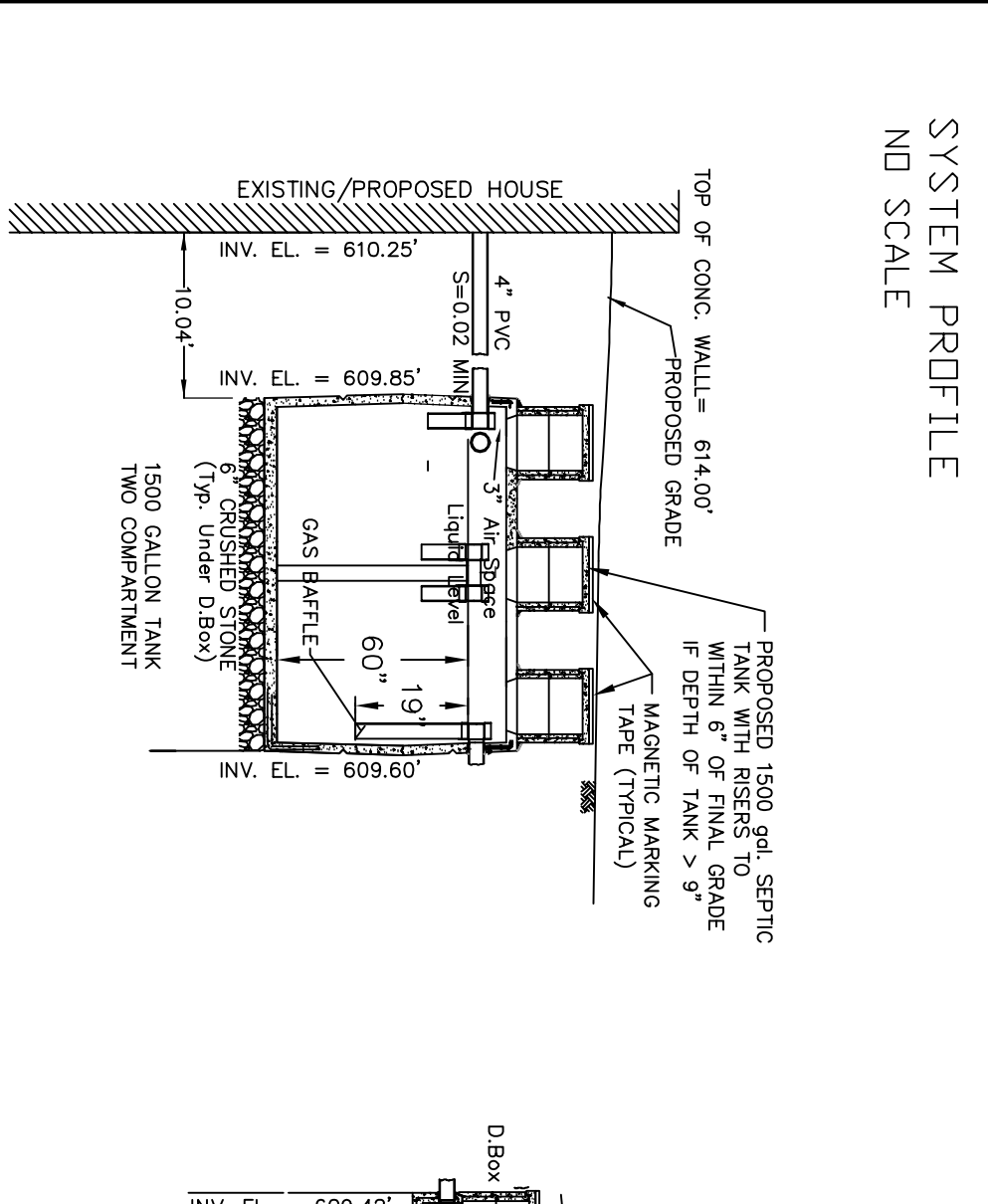
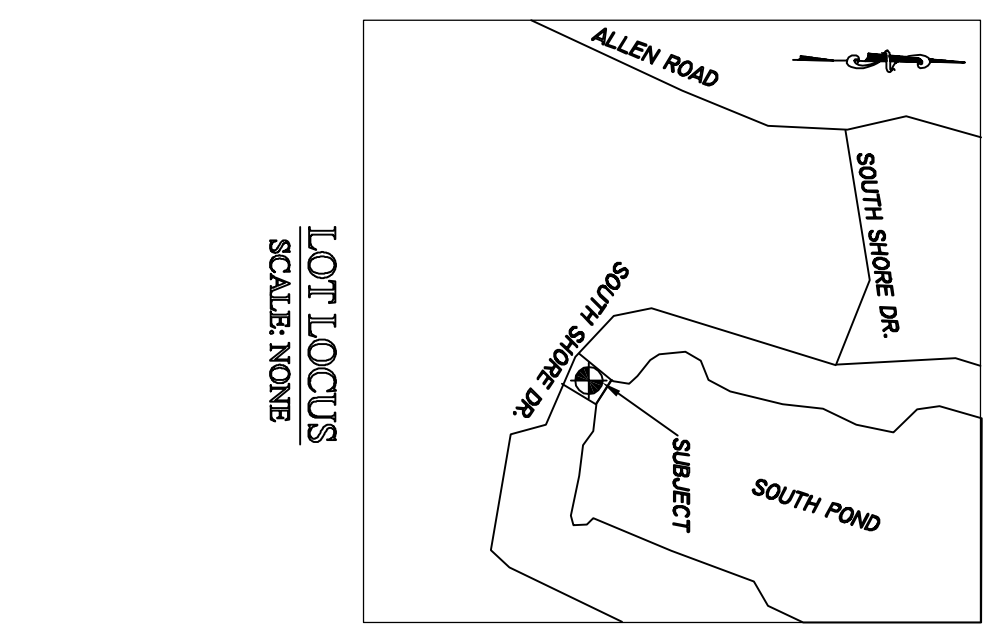
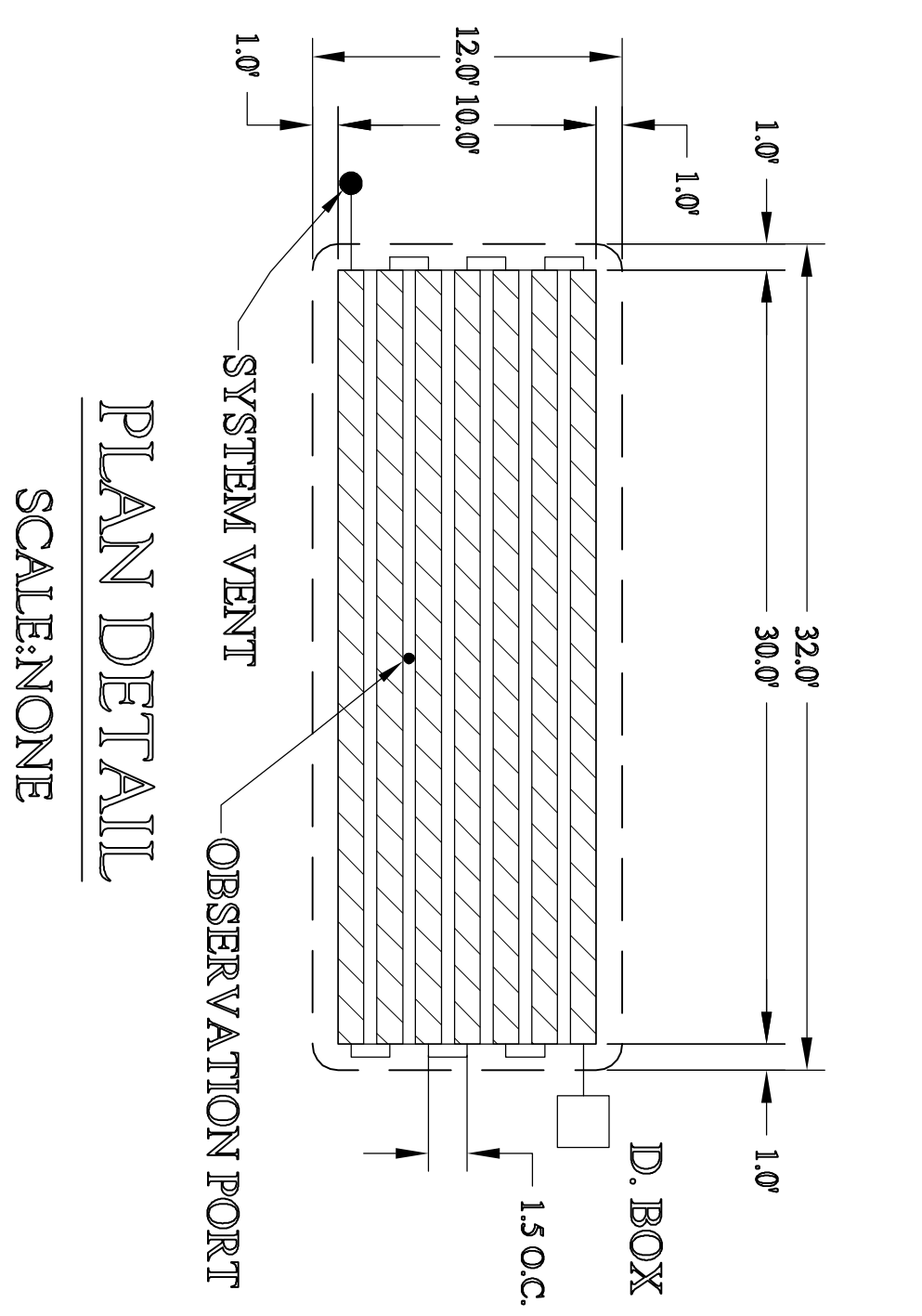
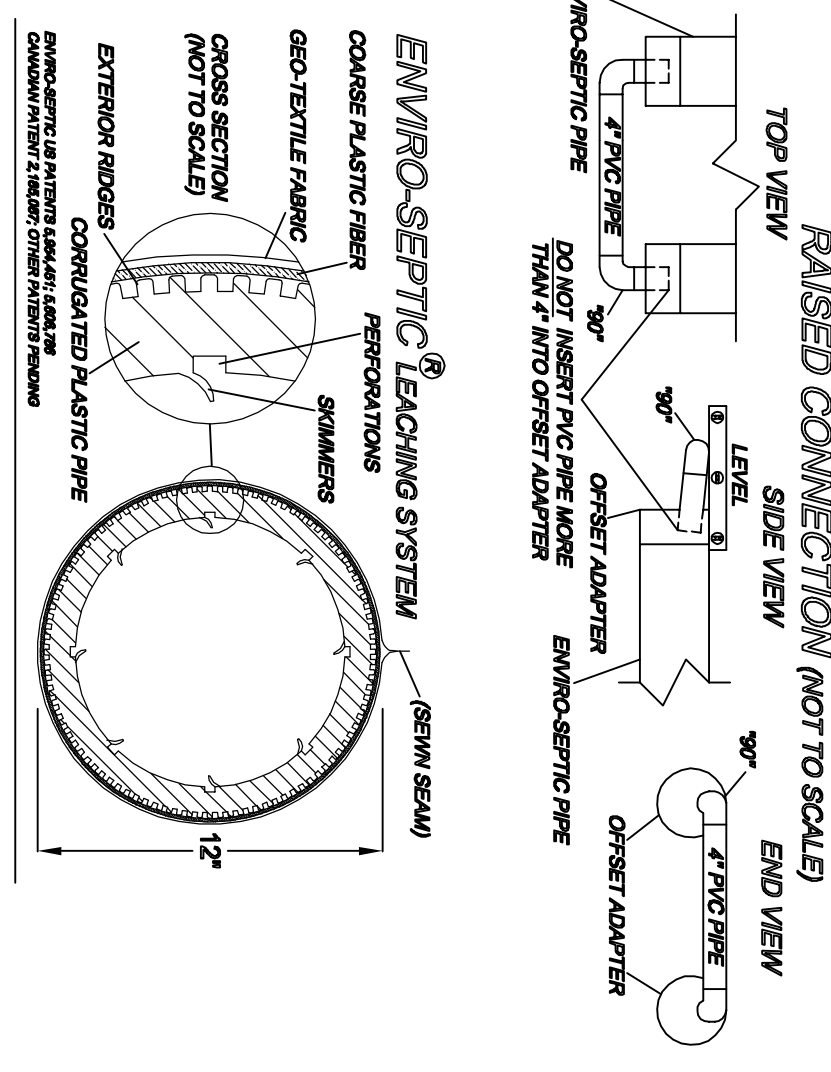


PRESBY ENVIRONMENTAL NOTES

- SYSTEM TO BE INSTALLED IN ACCORDANCE WITH PRODUCT DESIGN AND INSTALLATION MANUAL, STATE AND LOCAL REGULATIONS. FOR PRODUCT INFORMATION ON THE NEAREST DEALER CONTACT PRESBY ENVIRONMENTAL, INC. 1-800-473-6288 - WWW.PRESBYENVIRONMENTAL.COM
- MINIMUM OF 8" OF MEDIAL TO COARSE SAND WITH LESS THAN 2% PASSING A # 20 SIEVE REQUIRED AROUND CONSTRUCTION OF ENVIRO-SEPTIC PERCH. (SEE DESIGN AND INSTALLATION MANUAL FOR COMPLETE SAND AND FILL SPECIFICATIONS)
- INSTALLER ADVISED TO CONTACT DIG SAFE PRIOR TO CONSTRUCTION.
- DO NOT INSTALL SYSTEM ON FROZEN GROUND OR LEAVE EXPOSED TO WEATHER PRIOR TO THE COMPLETION OF THE NO DRIP INSULATION, GARAGE DISPOSALS ETC. SHALL BE INCORPORATED INTO THIS SYSTEM UNLESS OTHERWISE SPECIFIED.
- INSTALLER/OWNER TO HAVE SYSTEM INSPECTED ANNUALLY BY TRAINED OPERATOR, AND SUBMIT RESULTS TO LOCAL APPROVING AUTHORITY ON "TECHNOLOGY CHECKLIST". THIS DOCUMENT IS FOR THE CONSTRUCTION OF THE EFFLUENT DISPOSAL SYSTEM SHOWN, ANYONE USING INFORMATION FROM THIS DOCUMENT FOR ANY OTHER PURPOSE DOES SO AT THEIR OWN RISK.
- SYSTEM DOES NOT CONSTITUTE AN APPROVANCE WITH ENVIRONMENTAL AGENCY. APPROVAL FOR CONSTRUCTION IS VALID FOR 4 YEARS FROM DATE OF ISSUE.



GENERAL NOTES

- ALL WORK TO BE CONCEALED MUST BE INSPECTED BY THE BOARD OF HEALTH OR ITS AGENT PRIOR TO BEING BACKFILLED.
- THE BUILDING SEWER (THE PIPE FROM 10' OUTSIDE THE BUILDING TO THE SEPTIC TANK) MUST BE CONSTRUCTED OF SCHEDULE 40 PVC PIPE AND MUST BE WATER-TIGHT.
- SEPTIC TANK AND DISTRIBUTION BOX TO BE PRE-CAST CONCRETE AS PER TITLE 5.
- SEPTIC TANK AND D. BOX MUST BE SET ON A LEVEL STABLE BASE AND MUST BE WATER TIGHT.
- THE FINISH GRADE ABOVE AND ADJACENT TO THE FIELD SHALL SLOPE AT LEAST 2% TO PREVENT THE ACCUMULATION OF SURFACE WATER.
- FILL MATERIAL REQUIRED SHALL CONSIST OF CLEAN GRANULAR SAND FREE FROM ORGANIC MATTER AND DELETERIOUS SUBSTANCES. MIXTURES AND LAYERS OF DIFFERENT CLASSES OF MATERIALS SHALL NOT BE USED. A SIEVE ANALYSIS SHALL BE PERFORMED IN ACCORDANCE WITH 310 CMR 15.245 (3).
- STONE SHALL CONSIST OF DOUBLE-WASHED STONE AND SHALL BE FREE OF IRON, FINES AND DUST IN PLACE.
- ALL DISTURBED AREAS TO BE LOAMED (3" MIN.) FINE RAKED AND SEEDED.
- ALL WELLS WITHIN 200' OF THE PROPOSED SYSTEM ARE SHOWN OR REFERRED TO BY NOTATION.
- ALL WETLANDS WITHIN 100' OF THE CONSTRUCTION ARE SHOWN, IF ANY.
- OFFSETS ARE NOT TO BE USED FOR THE REPRODUCTION OF PROPERTY LINES.
- THE PROPOSED WELL IS WITHIN 100' OF ANY KNOWN LEACHING FACILITIES.
- REMOVE TOPSOIL, PEAT AND OTHER IMPERVIOUS MATERIALS FROM ALL AREAS BENEATH THE LEACH FIELD AND FOR A DISTANCE OF 5' THEREFROM (AS SHOWN) AND REPLACE WITH FILL MATERIAL, AS SPECIFIED IN NOTE 6 COMPACTED IN 6" LIFTS TO AN ELEVATION EQUAL TO THE TOP OF PEA STONE WITHIN THE SYSTEM.

SCOPE OF WORK

THE CONTRACTORS SCOPE OF WORK INCLUDES BUT IS NOT LIMITED TO:

- ALL LABORS AND MATERIALS TO INSTALL THE SEWAGE DISPOSAL SHOWN, COMPLETE AND PLACED IN SERVICE.
- INSURING ALL PERMITS HAVE BEEN OBTAINED.
- PERFORMING ALL WORK IN ACCORDANCE WITH TITLE 5.
- ANY MEASURES TO PROTECT THE WETLAND, IF ANY.
- THIRTY EXECUTION OF THE WORK.

DATE	REV	DESCRIPTION	MODE	CHECK APP.
2/17/22	AMT	1	CONCOMM.	LSJ
4/28/22	AMT	2	LSJ	LSJ
5/10/22	AMT	3	LSJ	LSJ
6/21/22	AMT	4	LSJ	LSJ
7/7/22	AMT	5	LSJ	LSJ
7/28/22	AMT	6	LSJ	LSJ
10/18/22	AMT	7	LSJ	LSJ
10/10/23	AMT	8	LSJ	LSJ
11/21/23	AMT	9	LSJ	LSJ
11/28/23	AMT		LSJ	LSJ

REVISIONS

MAINTENANCE NOTE

THE STATE ENVIRONMENTAL CODE, STATES "SEPTIC TANKS SHOULD BE INSPECTED AND CLEANED AT LEAST ANNUALLY."

PERMANENT STRUCTURES ARE TO BE ERECTED IN THE RESERVE AREA.

DO NOT PLANT TREES OVER OR NEAR THE FIELD. AVOID VEHICULAR TRAFFIC OVER SYSTEM.

LOCAL UPGRADE APPROVAL REQUIRED.

- REDUCE SETBACK DISTANCE OF THE SAS TO THE PROPERTY LINE FROM 10' TO 6.11' AS ALLOWED UNDER 310 CMR 15.405(1)A.
- REDUCE SETBACK DISTANCE SAS TO CELLAR WALL FROM 20' TO 18.54' AS ALLOWED UNDER 310 CMR 14.405(1)B.
- REDUCE SYSTEM SIZE BY 4% AS ALLOWED UNDER 310 CMR 14.405(1)C.

DEP FILE NO. 300-1127

JALBERT ENGINEERING, INC.
 CIVIL ENGINEERS & SURVEYORS

54 Main Street
 Southbridge, Massachusetts 01566-1244
 Telephone: (508) 347-3136 • Fax: (508) 347-1582
 Toll Free: 1-800-339-5136

Soil Absorption System "Upgrade"
 Located At: 88 SOUTH SHORE ROAD
 Southbridge, Massachusetts

For: Steven B. Reed & Marcy L. Reed

2/17/22
 PLAN NUMBER
21046
 REV. 9
 SHEET 2 OF 2