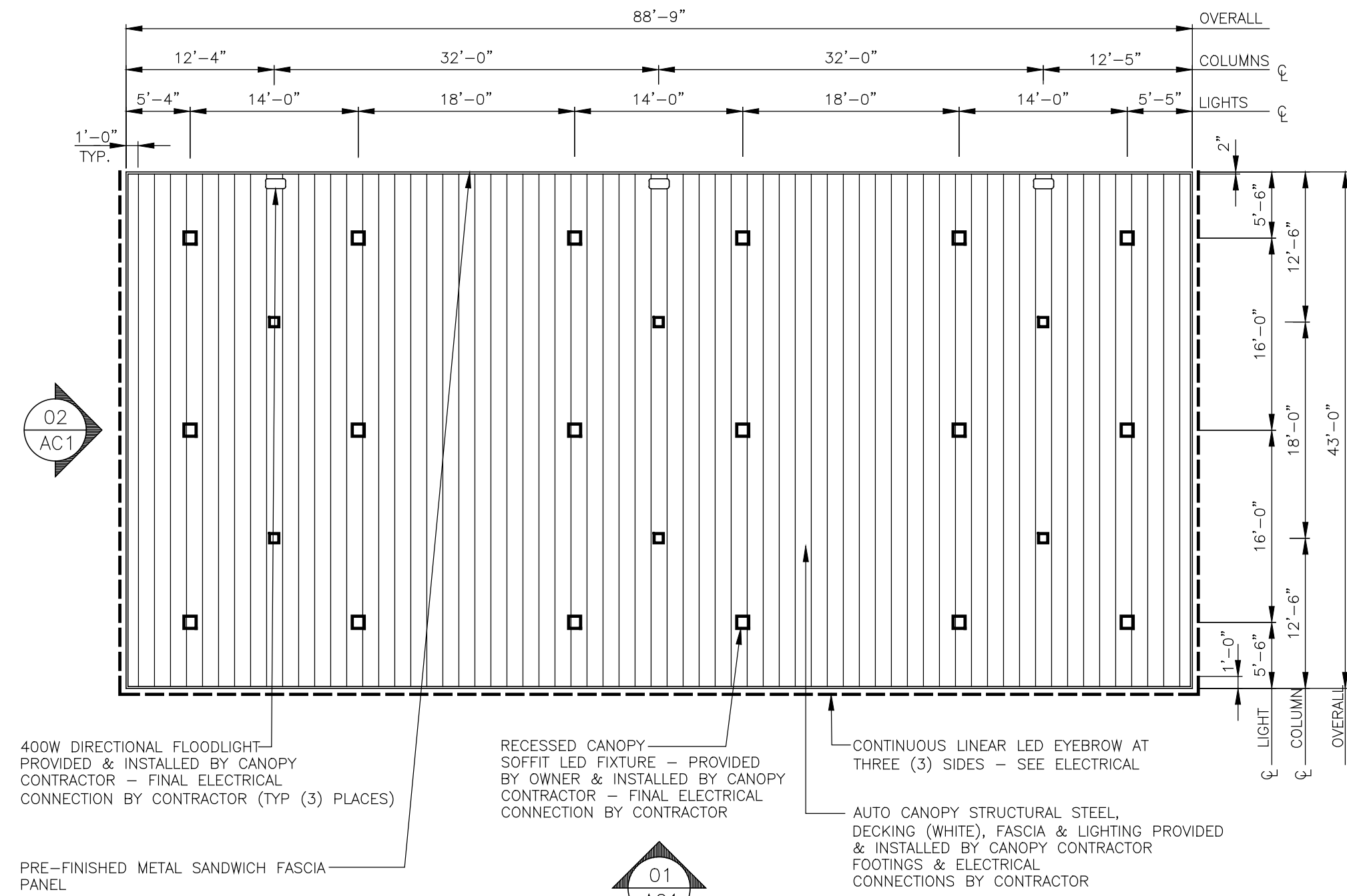


TRAVEL CENTER BLDG. THIS SIDE



400W DIRECTIONAL FLOODLIGHT PROVIDED & INSTALLED BY CANOPY CONTRACTOR - FINAL ELECTRICAL CONNECTION BY CONTRACTOR (TYP (3) PLACES)

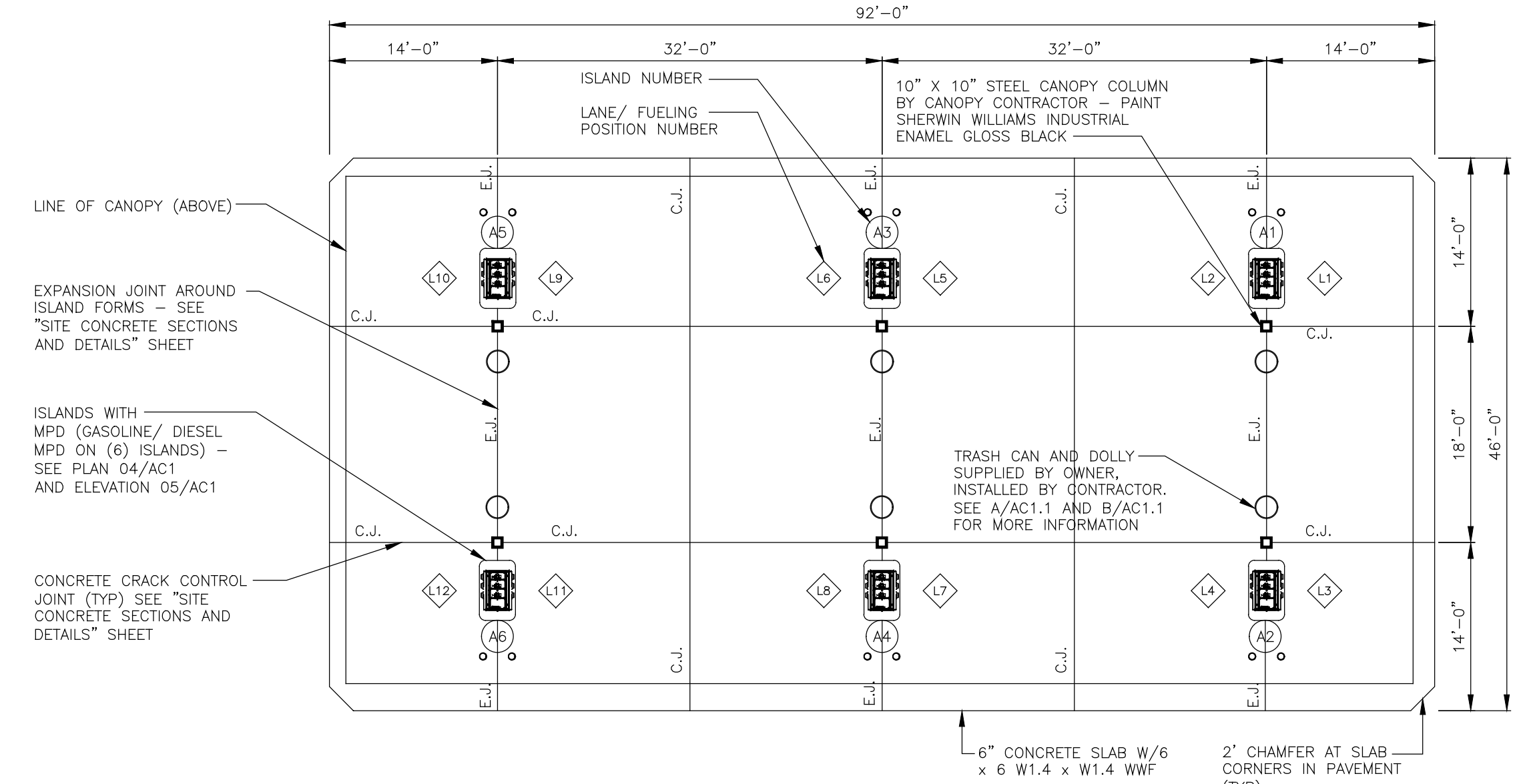
RECESSED CANOPY SOFFIT LED FIXTURE - PROVIDED BY OWNER & INSTALLED BY CANOPY CONTRACTOR - FINAL ELECTRICAL CONNECTION BY CONTRACTOR

CONTINUOUS LINEAR LED EYEBROW AT THREE (3) SIDES - SEE ELECTRICAL

AUTO CANOPY STRUCTURAL STEEL, DECKING (WHITE), FASCIA & LIGHTING PROVIDED & INSTALLED BY CANOPY CONTRACTOR - FINAL ELECTRICAL CONNECTIONS BY CONTRACTOR

PRE-FINISHED METAL SANDWICH FASCIA PANEL

AUTO CANOPY REFLECTED CEILING PLAN
3/32" = 1'-0"



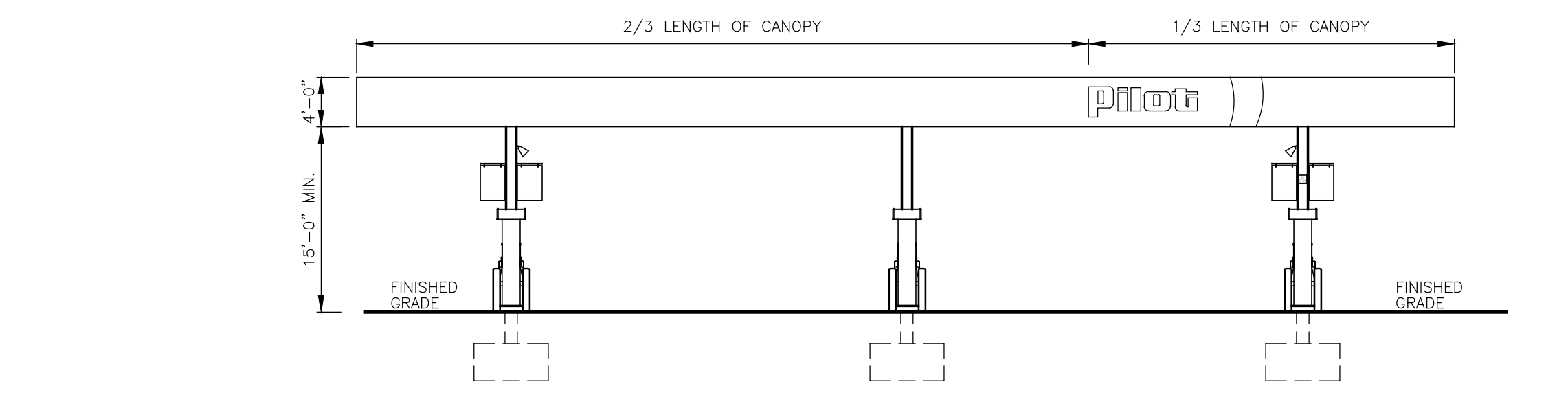
LINE OF CANOPY (ABOVE)

EXPANSION JOINT AROUND ISLAND FORMS - SEE "SITE CONCRETE SECTIONS AND DETAILS" SHEET

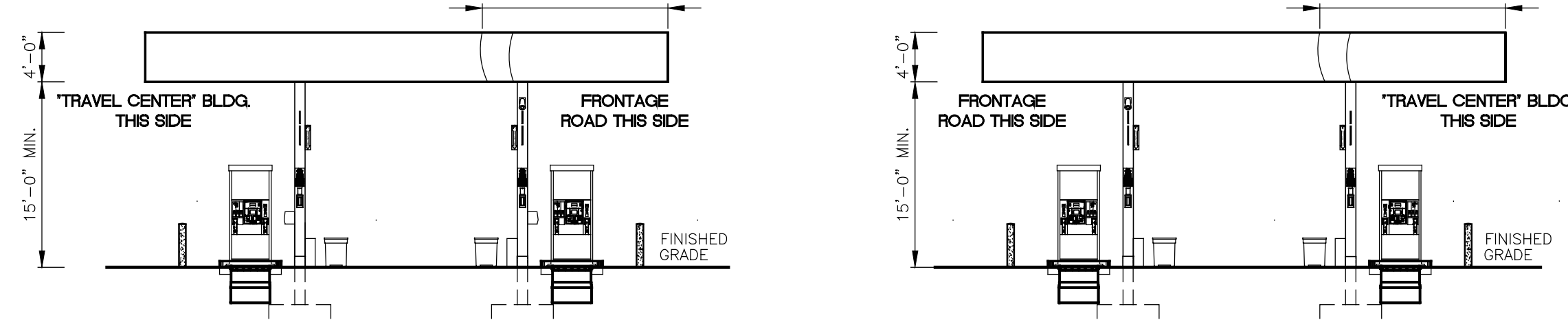
ISLANDS WITH MPD (GASOLINE/ DIESEL MPD ON (6) ISLANDS) - SEE PLAN 04/AC1 AND ELEVATION 05/AC1

CONCRETE CRACK CONTROL JOINT (TYP) SEE "SITE CONCRETE SECTIONS AND DETAILS" SHEET

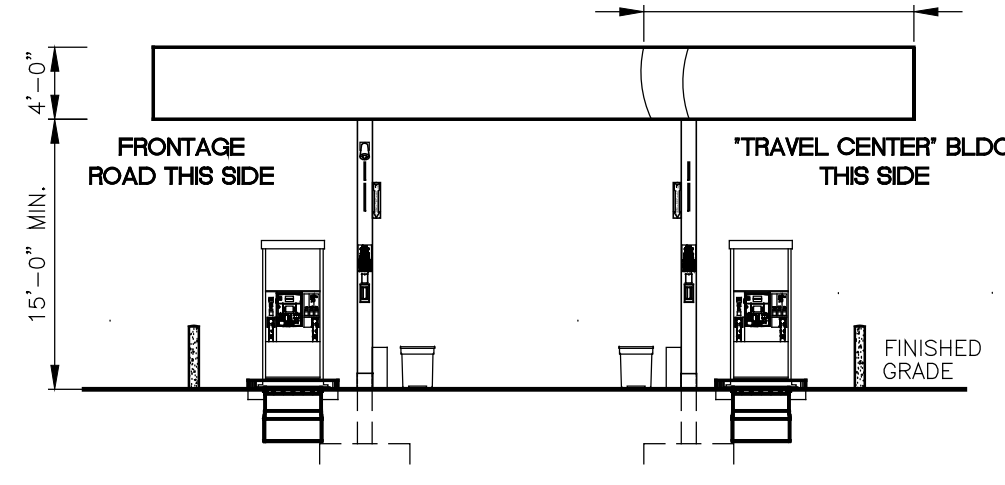
AUTO ISLAND PLAN
3/32" = 1'-0"



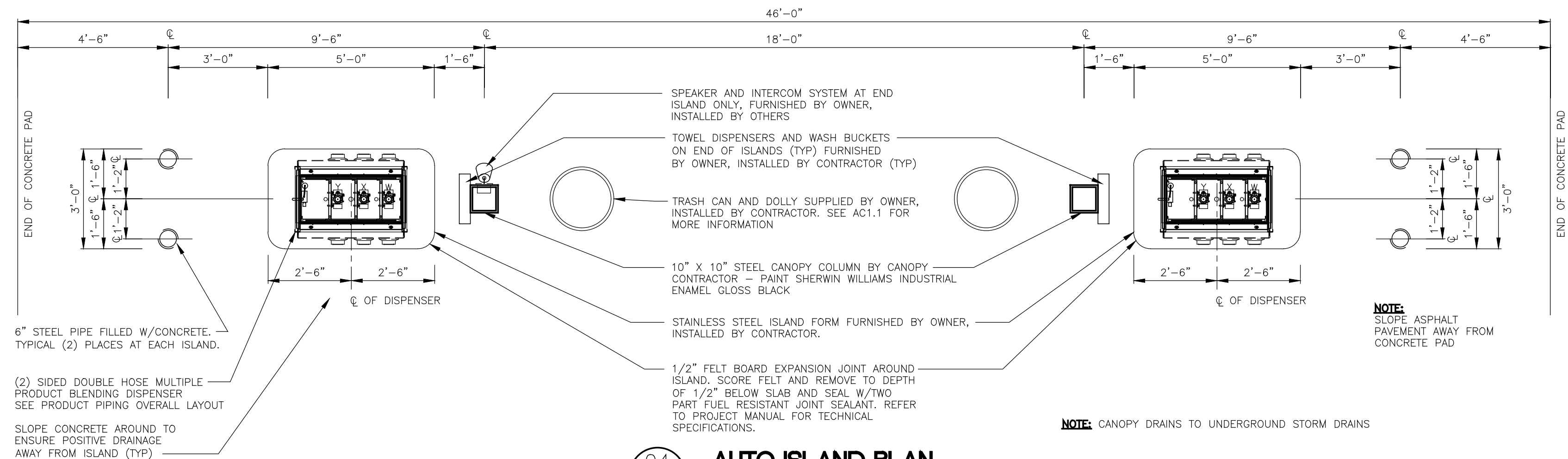
01 AC1 AUTO CANOPY ELEVATION
3/32" = 1'-0"



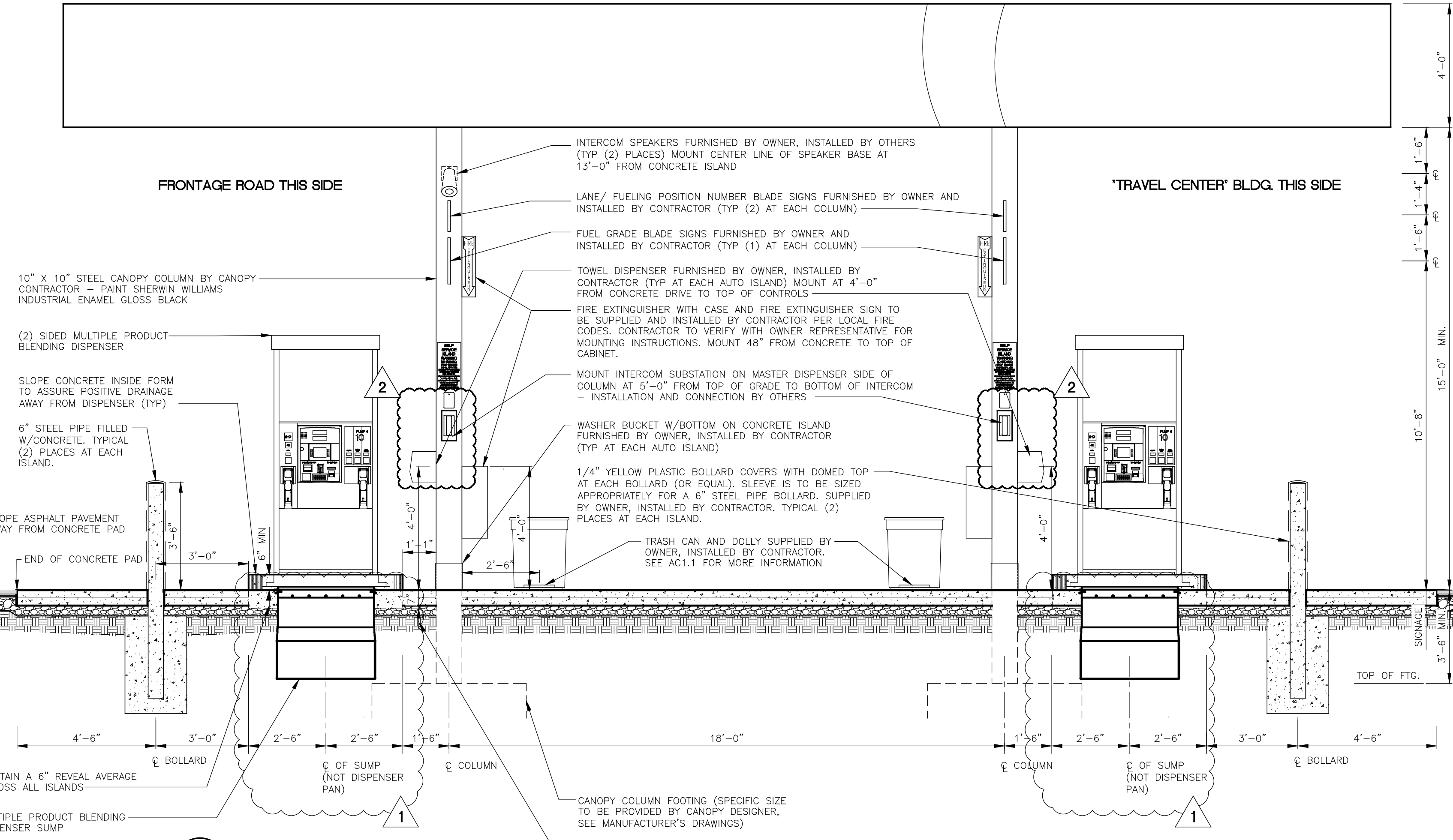
02 AC1 AUTO CANOPY ELEVATION
3/32" = 1'-0"



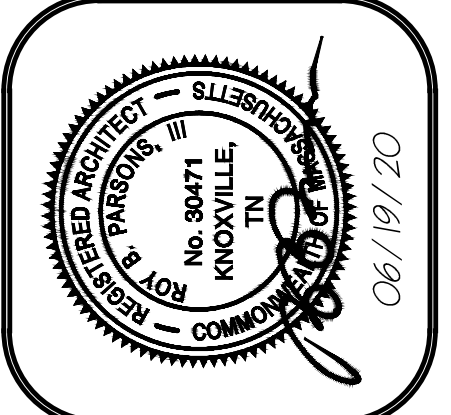
03 AC1 AUTO CANOPY ELEVATION
3/32" = 1'-0"



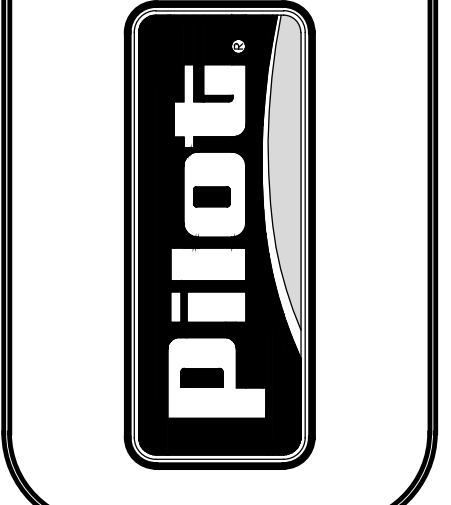
04 AC1 AUTO ISLAND PLAN
3/8" = 1'-0"



05 AC1 AUTO ISLAND ELEVATION
3/8" = 1'-0"



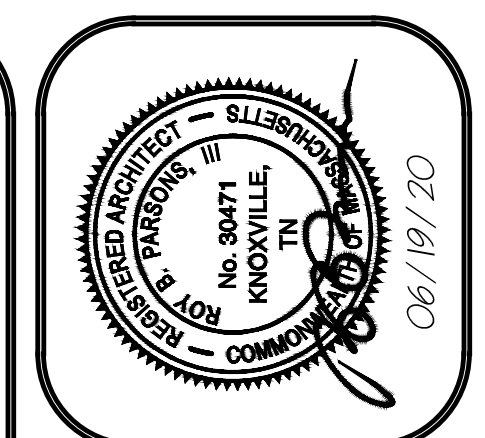
PILOT FLYING J
DESIGN DEPARTMENT
5508 LONAS ROAD
KNOXVILLE, TENNESSEE 37909
(865) 588-7488



AUTO CANOPY
PLAN AND ELEVATIONS
PILOT TRAVEL CENTER
400 ROUTE 15 (HAYNES STREET)
STURBRIDGE, MA 01566

DATE	REV.	REVISION DESCRIPTION	INT.	APP.
02/14/20	1	DRAWN BY: MMB PROJECT: 222-05	INT.	MMB
05/29/20	2	ADDENDUM #3	MMB	MMB
06/19/20	3	ADDENDUM #4	MMB	MMB

AC1



PILOT FLYING J
 DESIGN DEPARTMENT
 5508 LONAS ROAD
 KNOXVILLE, TENNESSEE 37909
 (865) 588-7488

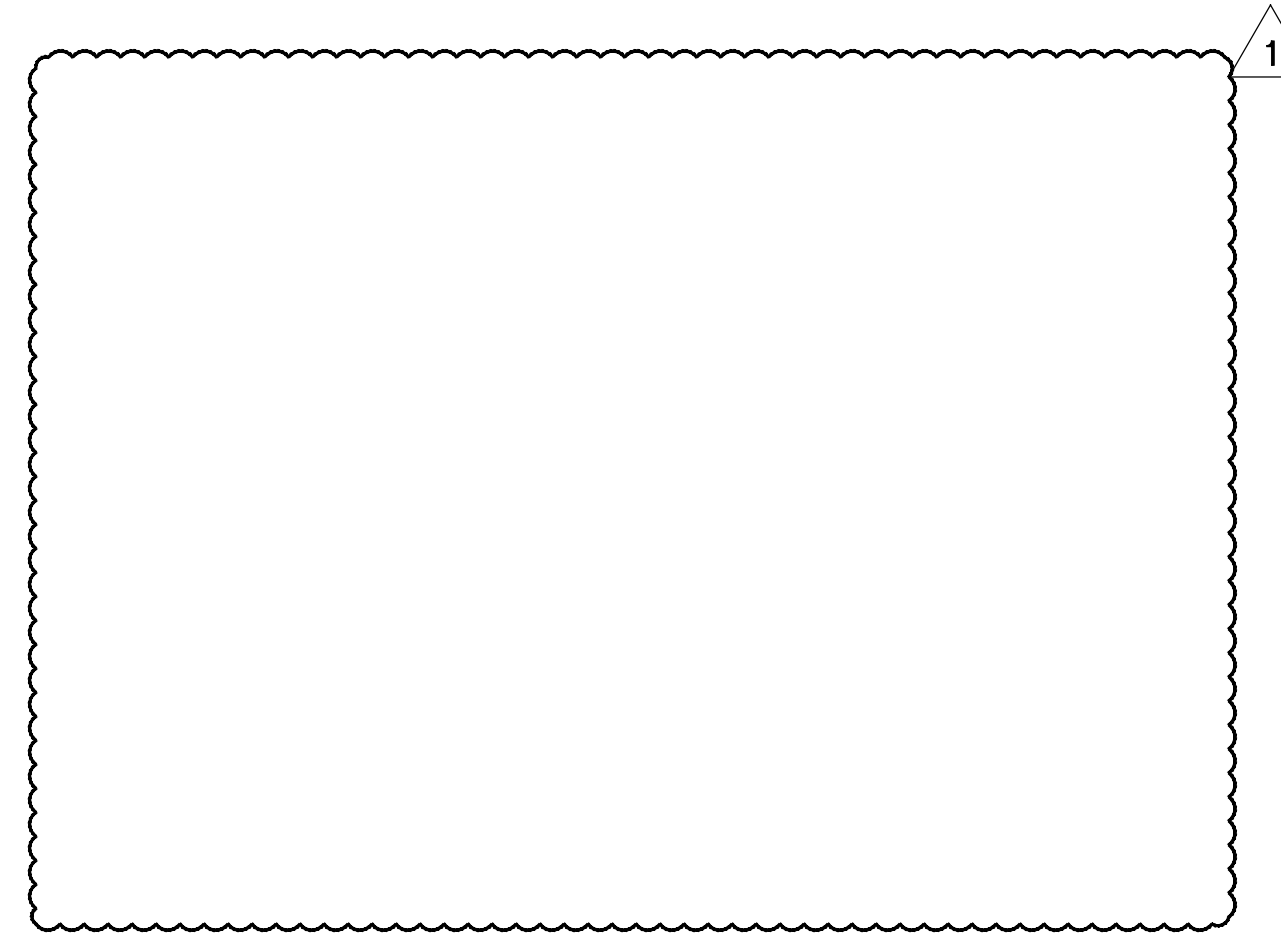
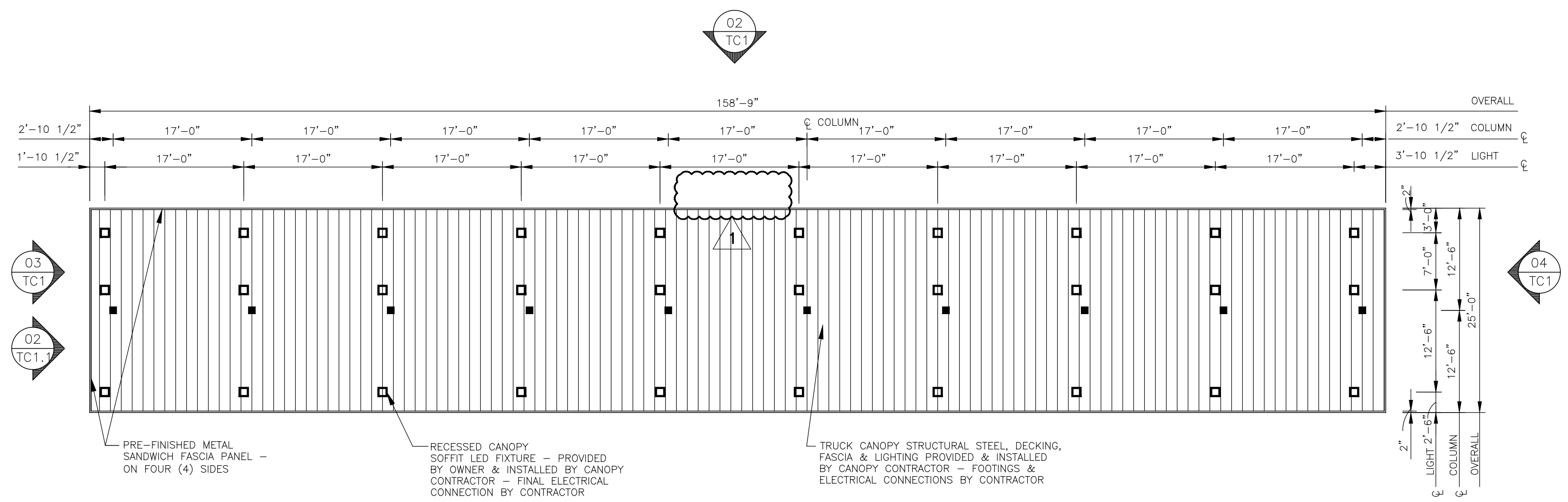
TRUCK CANOPY
 PLAN AND ELEVATIONS

PILOT TRAVEL CENTER
 400 ROUTE 15 (HAYNES STREET)
 STURBRIDGE, MA 01566

DATE: 02/14/20	DRAWN BY: MMB	PROJECT: 222-05
DATE: 06/19/20	REV: 1	REVISION DESCRIPTION: ADDED DIM #4
DATE:	REV:	REVISION DESCRIPTION:
DATE:	REV:	REVISION DESCRIPTION:
DATE:	REV:	REVISION DESCRIPTION:

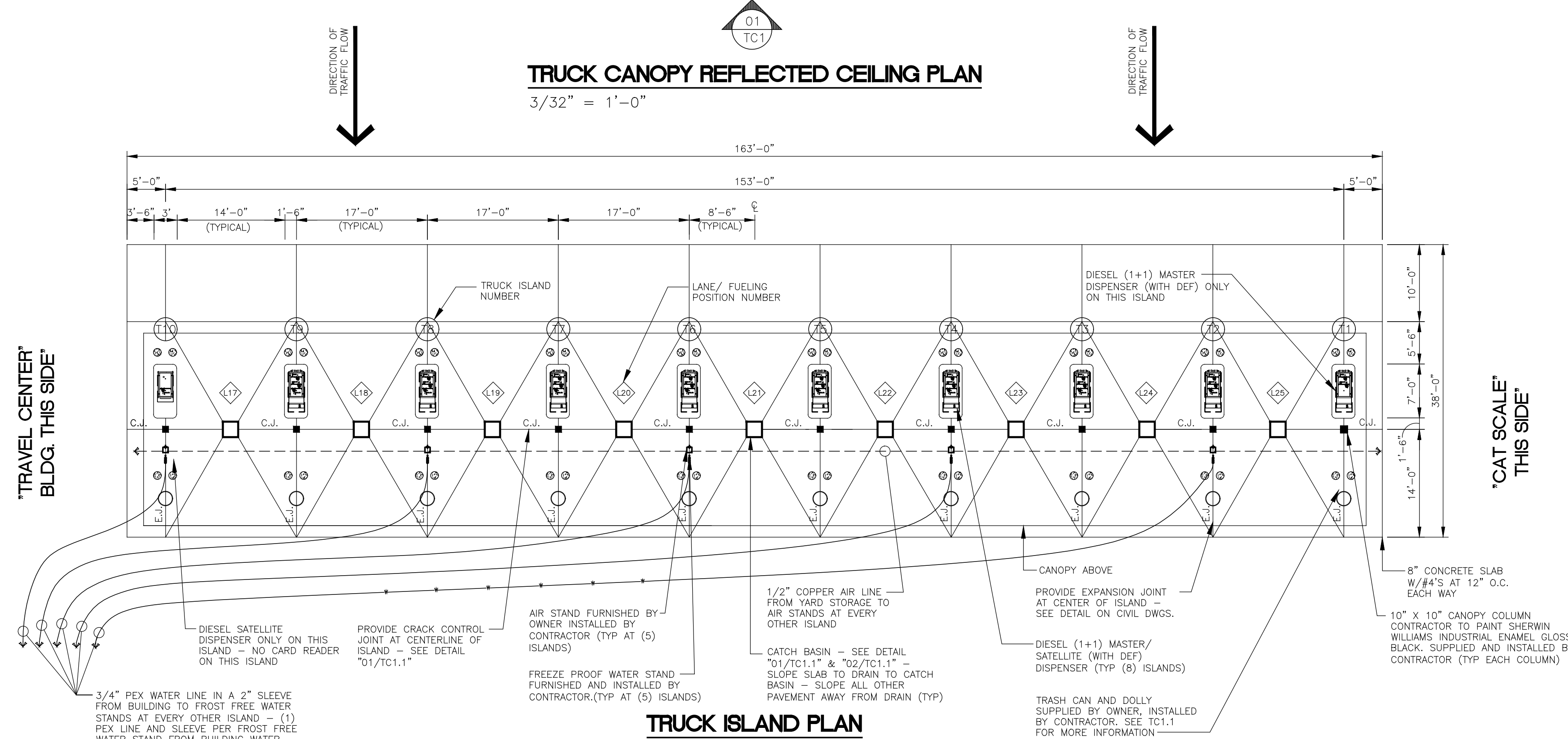
© COPYRIGHT 2020 UNPUBLISHED
 PILOT FLYING J
 CONFIDENTIAL
 NO USE OR DISCLOSURE OF THE DRAWING IS PERMITTED EXCEPT AS EXPRESSLY AUTHORIZED BY PILOT FLYING J.

SHEET:
TC1



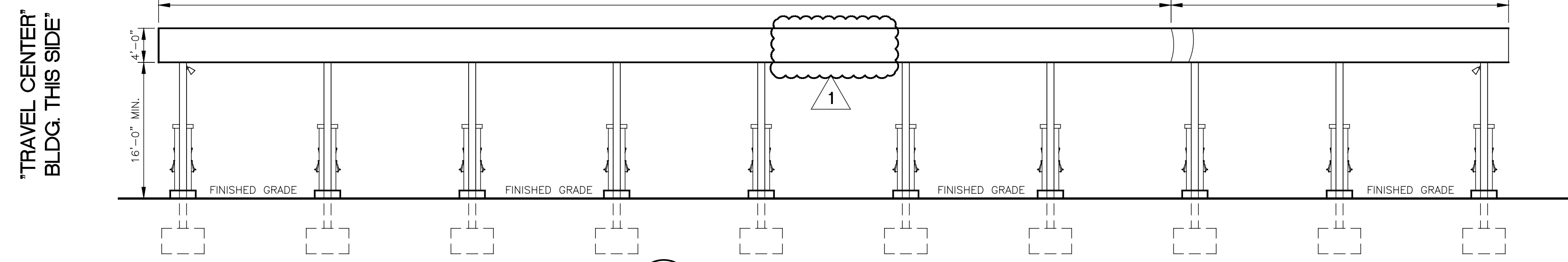
TRUCK CANOPY REFLECTED CEILING PLAN

3/32" = 1'-0"



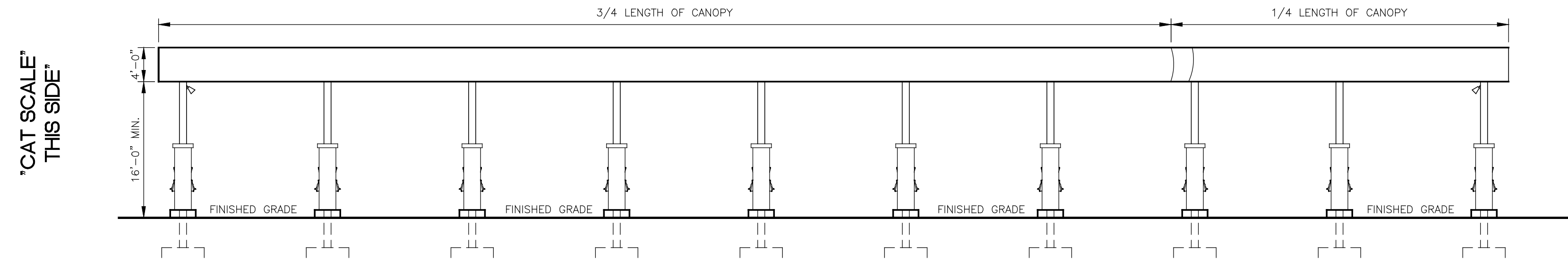
TRUCK ISLAND PLAN

3/32" = 1'-0"



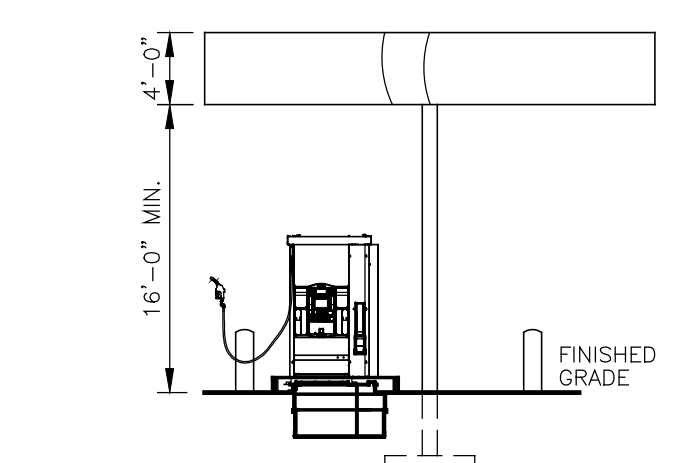
TRUCK CANOPY ELEVATION

3/32" = 1'-0"



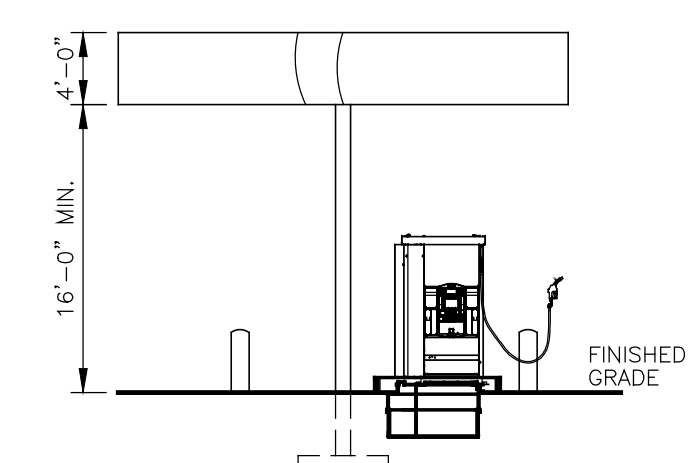
TRUCK CANOPY ELEVATION

3/32" = 1'-0"



TRUCK CANOPY ELEVATION

3/32" = 1'-0"



TRUCK CANOPY ELEVATION

3/32" = 1'-0"