

Date:	Approved:
Type:	
Fixture:	
Project:	

eCOVELINE XL WET 1.5



eCOVELINE XL WET 1.5 is a powerful and versatile interior / exterior cove luminaire. The **eCOVELINE XL WET 1.5** comes in a 1 ft, 4 ft or 6 ft nominal lengths and 27K, 3K, 35K, 4K or 5K color temperatures. The housing is constructed of extruded aluminum with tooled end caps and is IP66 rated for interior & exterior use. Features IP68 line voltage Plug N' Play connectors for easy installation. Power supply is integral, no remote driver required. Universal orientation fixture; up, down, horizontal or vertical positioning, Chicago Code Compliant and 2 optical options. Flicker free dimmable to 5% full brightness ELV trailing edge dimming.

SPECIFICATIONS

PHYSICAL

beam spread	30° x 80° 120°		
LEDs per foot	14		
dimensions	12.25" x 1.77" x 1.9"	47" x 1.77" x 1.9"	70.25" x 1.77" x 1.9"
weight	1.3 lbs		
housing	extruded aluminum housing with moulded end caps		
lens	clear, tempered glass with a frosted edge		
mounting	standard: surface mount bracket with (+/- 45° from center) optional: ADBW2-90 full 180° rotation (+/- 90° from center)		
ingress protection	IP66 rated for wet, exterior location (Connectors IP68)		
vibration resistance	compliant with 3G ANSI C136.31		
fixture connections	Twist-lock IP68 rated, CCC		

PERFORMANCE

color temperature	2700K	3000K	3500K	4000K	5000K
lumen output (per foot)	581 lm	604 lm	628 lm	653 lm	676 lm
lifetime	> 70,000 hours / L70 or better				
color consistency	3 SDCM / standard: 87 CRI optional: 90 CRI				
operating temperature	-40°F to 104°F (-40°C to 40°C)				
junction temperature	69°C @ T ^a 25°C				
warranty	5-Year limited warranty (refer to website for details)				

ELECTRICAL

input voltage	Universal 120–277V AC
power supply	integral Class II, electronic high-power factor > 94% @120V
certification	ETL / cETL listed, CEC Title 24 - JA8 Compliant
standards	UL1598/CSA C22.2 No. 250.0; IESLM-79/LM-80; FCC Part 15
power consumption	5.9W/ft @ 120V
dimming	ELV (reverse phase/trailing edge) ≤ 5%



Due to continuous development and improvements, specifications are subject to change without notice. Solid State Luminaires reserves the right to change lab test details or specifications without notice. Product use certifies agreement to Solid State Luminaires terms and conditions.

eCOVELINE XL WET 1.5



Ordering Information

ORDERING INFORMATION

ECVLXWET1.5							
MODEL	LENGTH	CCT		CRI	OPTICS	OPTIONS	
ECVLXWET1.5 eCOVELINE XL WET 1.5	1 12 in. (305 mm)	WHITE LIGHT		MONO COLOR	CRI80 80 CRI	3080 30°x80° beam	WCL-1 Louvre (Black) - 1 ft.
	4 46.8 in. (1189 mm)	27K 2700K	AMB Amber	CRI90 90 CRI	120 120°x120° beam	WCL-4 Louvre (Black) - 4 ft.	
	6 70 in. (1778 mm)	3K 3000K	BLU Blue			WCL-6 Louvre (Black) - 6 ft.	
		35K 3500K	LTBLU Light Blue			WCHS-1 Louvre w/House Shield (Black) - 1 ft.	
		4K 4000K	RED Red			WCHS-4 Louvre w/House Shield (Black) - 4 ft.	
		5K 5000K				WCHS-6 Louvre w/House Shield (Black) - 6 ft.	

Accessories (Indicate the quantity needed for each item.) **REQUIRED:** Starter Cable (SC10W) and Terminator Cap (TCAPW) for every run. **Maximum Run Length** = 100 feet (120V)

- _____ **SC10W** 10 ft. Starter Connection Cord
- _____ **TCAPW** Terminator Cap
- _____ **EC12W** 12 in. Extension Cord
- _____ **EC24W** 24 in. Extension Cord
- _____ **EC60W** 60 in. Extension Cord

Mounting Options (ADBW2 Included With Fixture) (requirements vary for each fixture ordered - see mounting pages for details)

- _____ **ADBW2-90** 90° Adjustable Bracket (Bi-directional)
- _____ **CA2-6** Cantilever Arm - 6"
- _____ **CA2-12** Cantilever Arm - 12"
- _____ **CA2-18** Cantilever Arm - 18"
- _____ **LS-6** Landscape Spike - 6"
- _____ **HLS** Heavy Duty Landscape Spike

Use Module Only to Convert 0-10V Signal to ELV Dimming

DIM0-10VELV is a dimming module that converts a 0-10V dimming signal to an ELV (electronic low-voltage) reverse phase dimming signal for ELV dimmable lighting products.

Control Components (Indicate the quantity needed for each item.) (1 module per run) (Indoor rated)

REQUIRED: Starter Cable (SC6) and Terminator Cap (TCAP) for every run.

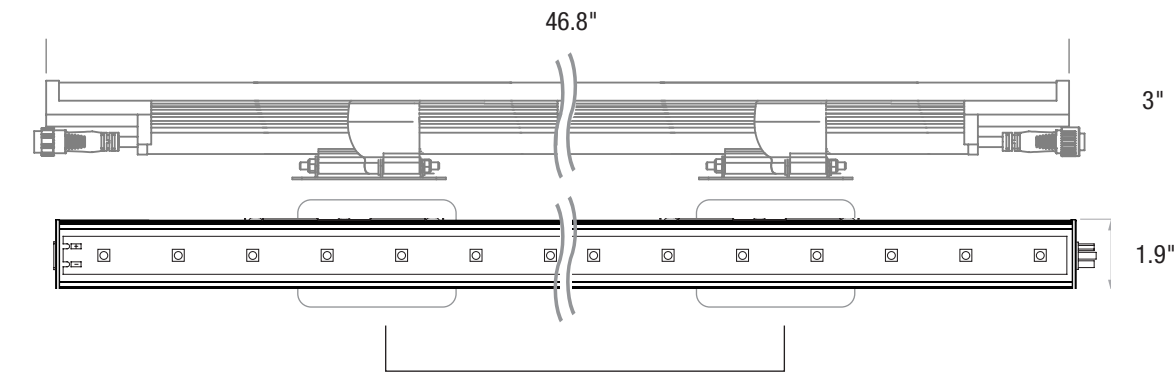
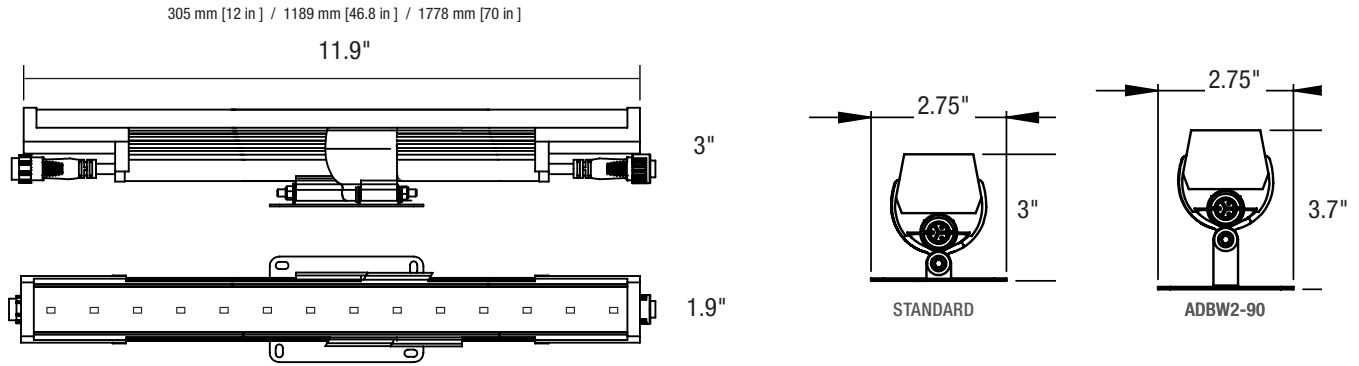
- _____ **DIM0-10VELV-UNV-OJBM-IJBM-BLA** 0-10V ELV Dim Module, Output Junction Box Mount (12" lead wire), Input Junction Box Mount (12" lead wire), Interior Rated Enclosure, Black Anodized Alum.
- _____ **DIM0-10VELV-UNV-OCPPM-ICPPM-BLA** 0-10V ELV Dim Module, Output Conduit Pipe Mount (96" lead wire), Input Conduit Pipe Mount (96" lead wire), Interior Rated Enclosure, Black Anodized Alum.

Due to continuous development and improvements, specifications are subject to change without notice. Solid State Luminaires reserves the right to change lab test details or specifications without notice. Product use certifies agreement to Solid State Luminaires terms and conditions.

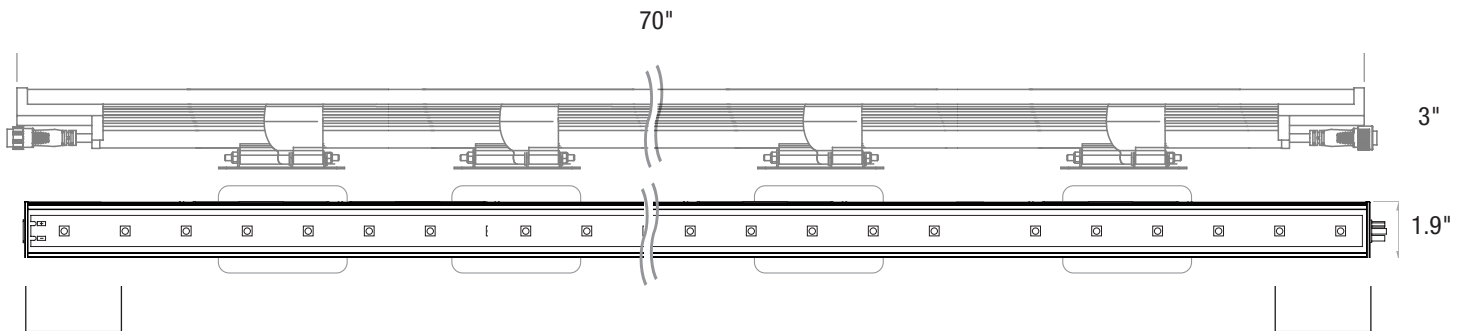


Standard Dimensions

DIMENSIONS WITH STANDARD BRACKET



Optimal spacing for bracket installation is 16" apart.



TO PREVENT VOIDING THE WARRANTY, DO NOT INSTALL BRACKETS WITHIN 2" OF THE ENDS OF FIXTURE.

Due to continuous development and improvements, specifications are subject to change without notice. Solid State Luminares reserves the right to change lab test details or specifications without notice. Product use certifies agreement to Solid State Luminares terms and conditions.

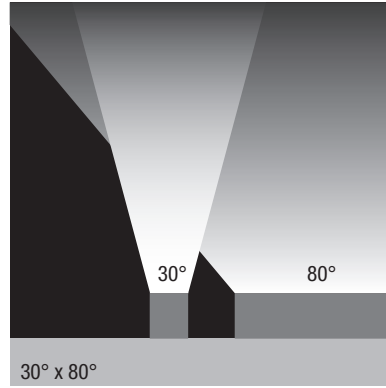
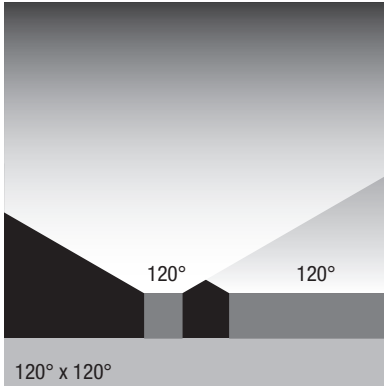
eCOVELINE XL WET 1.5



Photometry

eCVLX WET AVAILABLE OPTICS

FIND IES FILES ON SOLIDSTATELUMINAIRES.COM



PERFORMANCE

Model	Connected Wattage	Delivered Lumens				
		2700K	3000K	3500K	4000K	5000K
ECVLXWET1.5-1	5.9W	581	604	628	653	676
ECVLXWET1.5-4	23.6W	2324	2416	2512	2612	2704
ECVLXWET1.5-6	35.4W	3486	3624	3768	3918	4056

DIMMING

TRIAC, REVERSE PHASE DIMMING

Model	Description
DELV	Lutron Diva Dimmer 300P
SELV	Lutron Skylark Dimmer 153P
SCL	Lutron Skylark Dimmer 300P



DELV



SELV



SCL

*Dimmers are sold by others.
FC|SSL does not recommend dimmers that have not been tested with their fixtures.*

Due to continuous development and improvements, specifications are subject to change without notice. Solid State Luminaires reserves the right to change lab test details or specifications without notice. Product use certifies agreement to Solid State Luminaires terms and conditions.

 US Commercial Lighting Manufacturer Since 1982

Specification Sheet

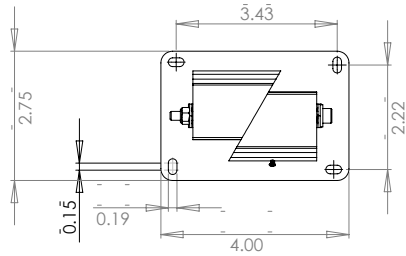
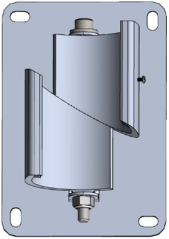


Mounting Options

STANDARD ADJUSTABLE BRACKET REQUIREMENTS

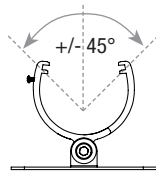
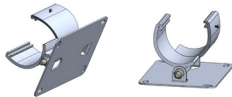
Minimum Bracket Requirement			
ECVLXWet-1	1	ECVLXWet-4	2
ECVLXWet-6	3		

STANDARD ADJUSTABLE BRACKET (ADBW2)



Universal Orientation

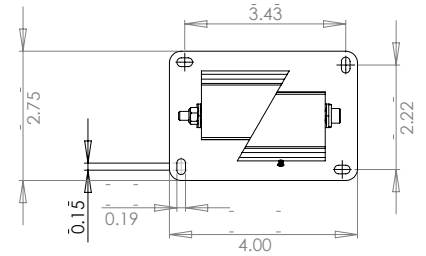
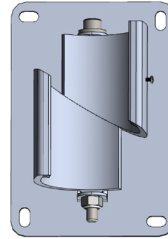
- Mounts to horizontal or vertical surfaces
- Easy installation w/fixture in position
- +/- 45° to surface



90° ADJUSTABLE BRACKET REQUIREMENTS

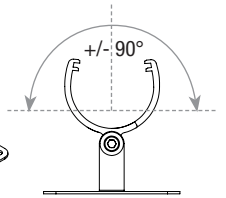
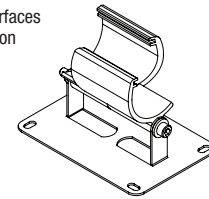
Minimum Bracket Requirement			
ECVLXWet-1	1	ECVLXWet-4	2
ECVLXWet-6	3		

90° ADJUSTABLE BRACKET (ADBW2-90)



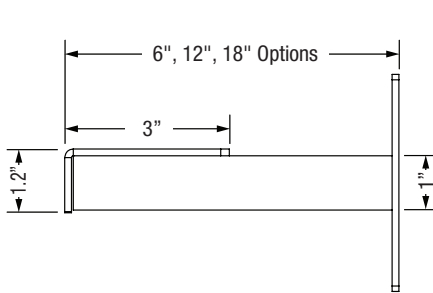
Universal Orientation

- Mounts to horizontal or vertical surfaces
- Easy installation w/fixture in position
- +/- 90° to surface

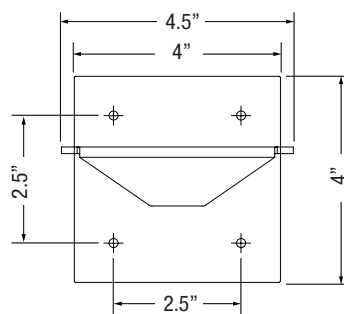


CANTILEVER ARM (CA2)

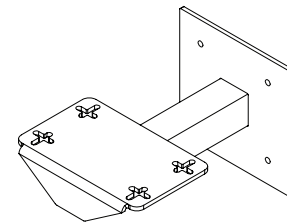
CA2	arm length	Fixture	CA2 Requirement
CA2-6	6"	1-foot	1
CA2-12	12"	4-foot	2
CA2-18	18"		



SIDE VIEW



FRONT VIEW



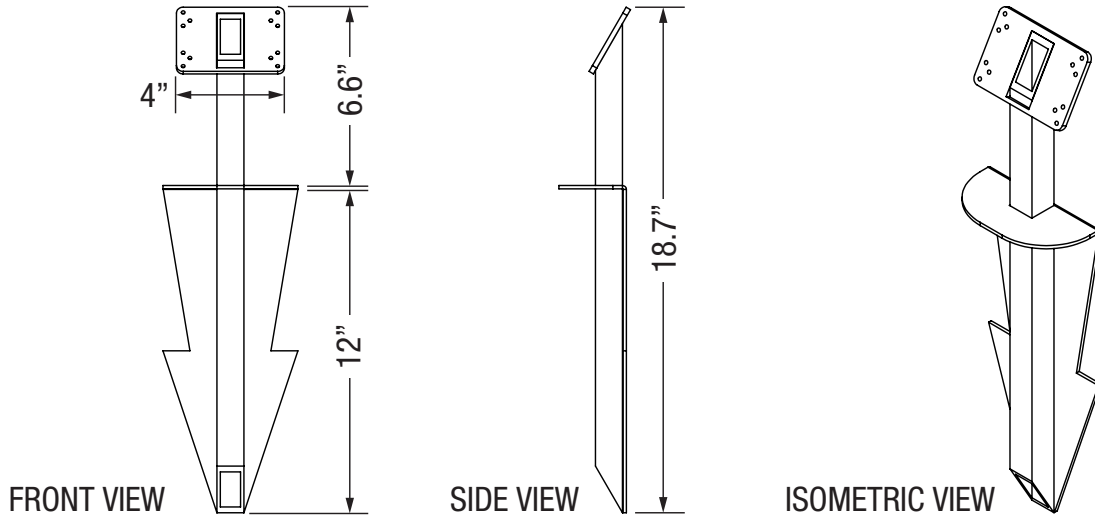
ISOMETRIC VIEW

Due to continuous development and improvements, specifications are subject to change without notice. Solid State Luminaires reserves the right to change lab test details or specifications without notice. Product use certifies agreement to Solid State Luminaires terms and conditions.

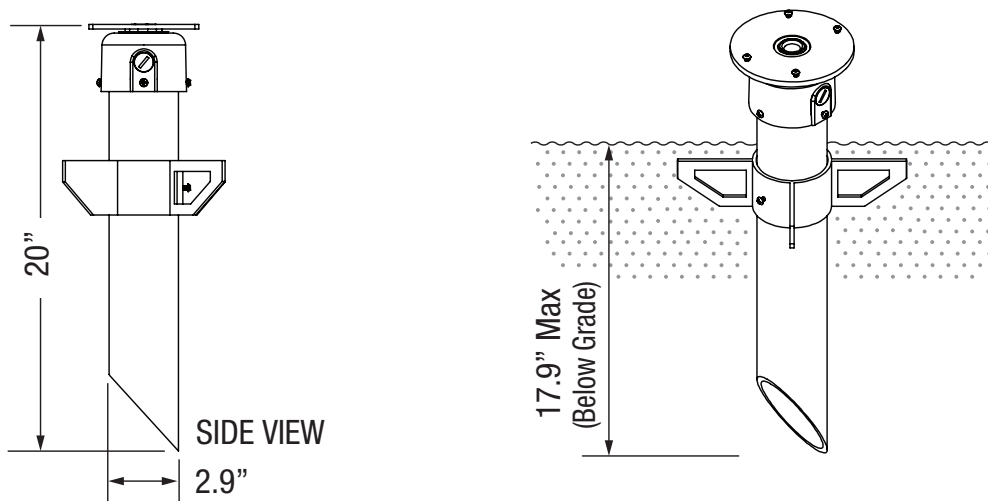


Mounting Option Accessories

LANDSCAPE SPIKE - LS-6



HEAVE DUTY LANDSCAPE SPIKE - HLS



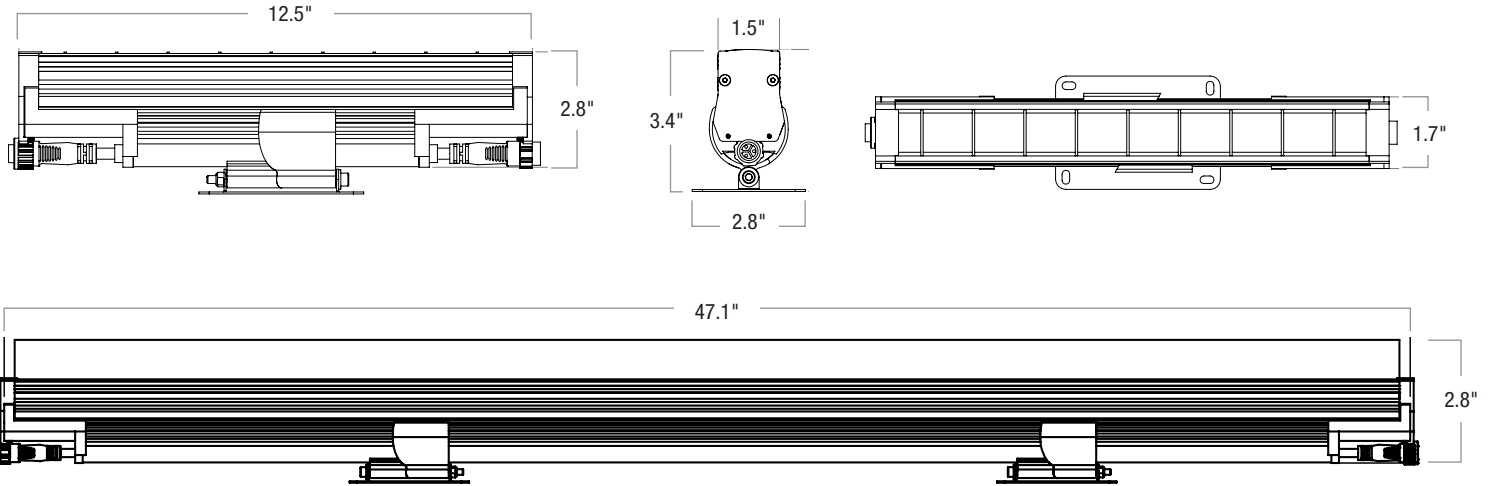
Due to continuous development and improvements, specifications are subject to change without notice. Solid State Luminaires reserves the right to change lab test details or specifications without notice. Product use certifies agreement to Solid State Luminaires terms and conditions.

eCOVELINE XL WET 1.5

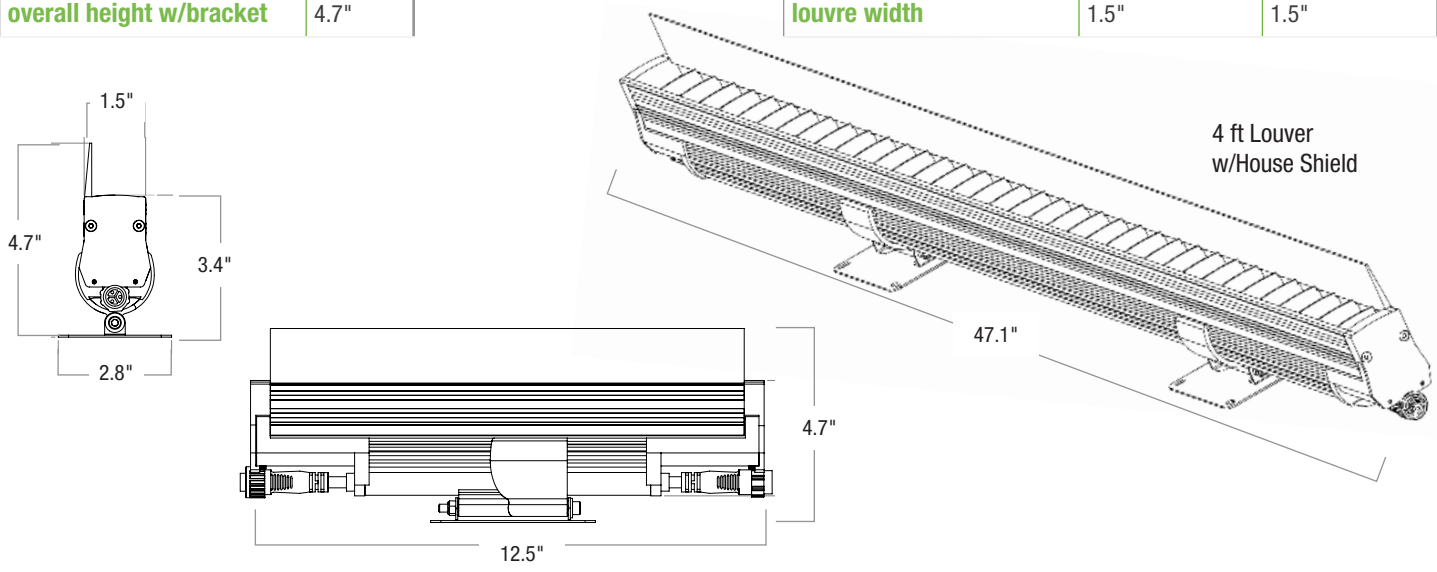


Accessories

LOUVRE - WCL		1FT	4FT
louvre height	.25"	12.5"	47.1"
overall height w/bracket	3.4"	1.5"	1.5"



HOUSE SHIELD - WCHS		1FT	4FT
shield height	1.3"	12.5"	47.1"
overall height w/bracket	4.7"	1.5"	1.5"

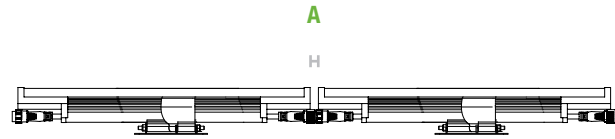


Due to continuous development and improvements, specifications are subject to change without notice. Solid State Luminaires reserves the right to change lab test details or specifications without notice. Product use certifies agreement to Solid State Luminaires terms and conditions.



Connectivity Options

CONNECTIONS & CABLES



Daisy Chain Fixtures (1')

A: MIN/0" - MAX/.38" between fixtures

B: SC10W - 10ft Starter Cord

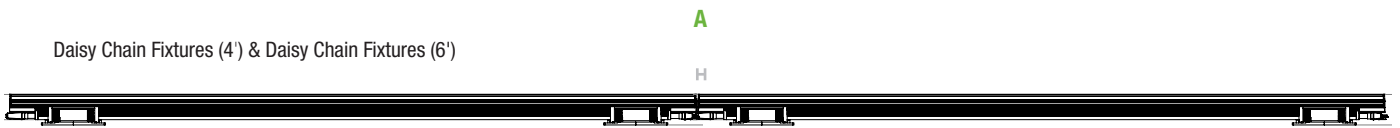
C: EC12W 12 in. Extension Cord

C: EC24W 24 in. Extension Cord

C: EC60W 60 in. Extension Cord

D: TCAPW 1.13" Terminator Cap

Daisy Chain Fixtures (4') & Daisy Chain Fixtures (6')



B: STARTER CABLES

INSURE FIRST FIXTURE IS ORIENTED TO ACCEPT MALE CONNECTOR STARTER CABLE



C: EXTENSION CABLES



D: TERMINATOR CAP TCAP



Due to continuous development and improvements, specifications are subject to change without notice. Solid State Luminaires reserves the right to change lab test details or specifications without notice. Product use certifies agreement to Solid State Luminaires terms and conditions.

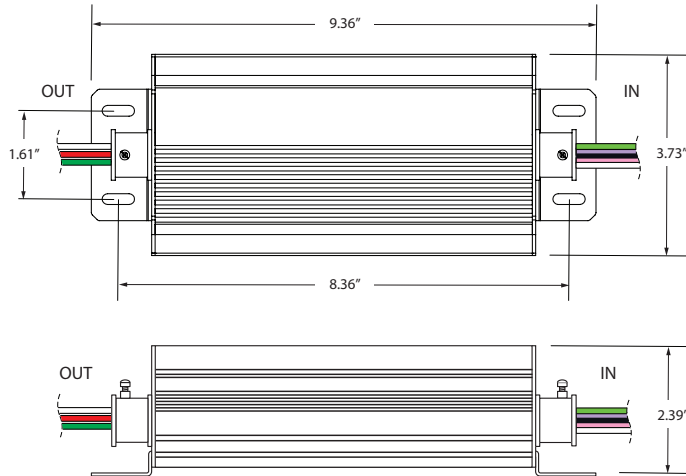


Control Components

CONTROL OVERALL DIMENSIONS (DIMO-10VELV) ALL VERSIONS

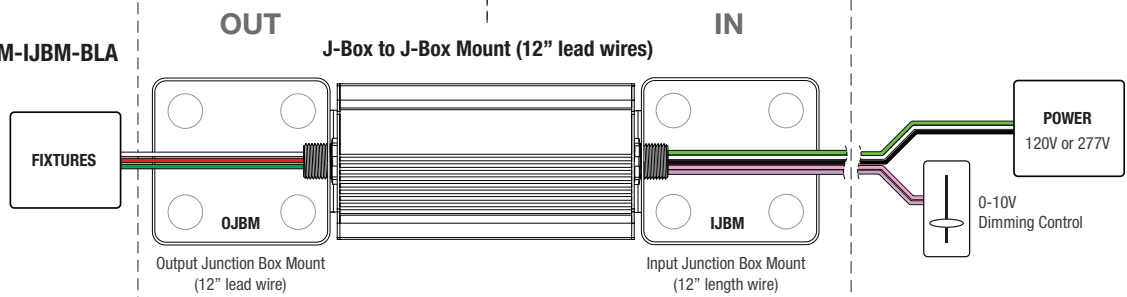
Use Module Only to Convert 0-10V Signal to ELV Dimming

Converts 0-10V signal for ELV Dimming protocol.

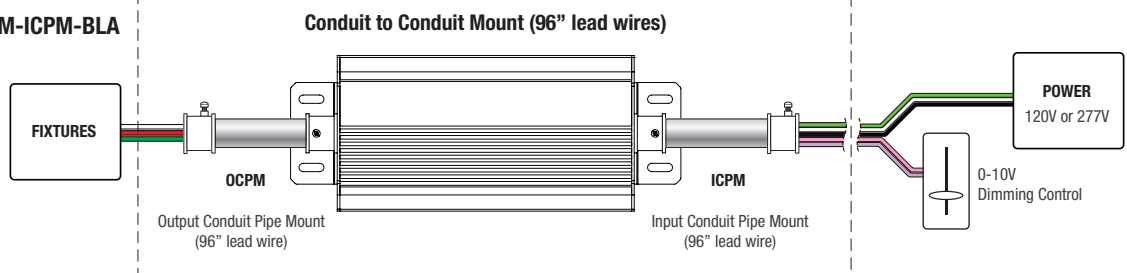


CONTROL CONNECTIVITY (DIMO-10VELV) EACH VERSION

DIMO-10VELV-UNV-OJBM-IJBM-BLA



DIMO-10VELV-UNV-OCPM-ICPM-BLA



Due to continuous development and improvements, specifications are subject to change without notice. Solid State Luminaires reserves the right to change lab test details or specifications without notice. Product use certifies agreement to Solid State Luminaires terms and conditions.